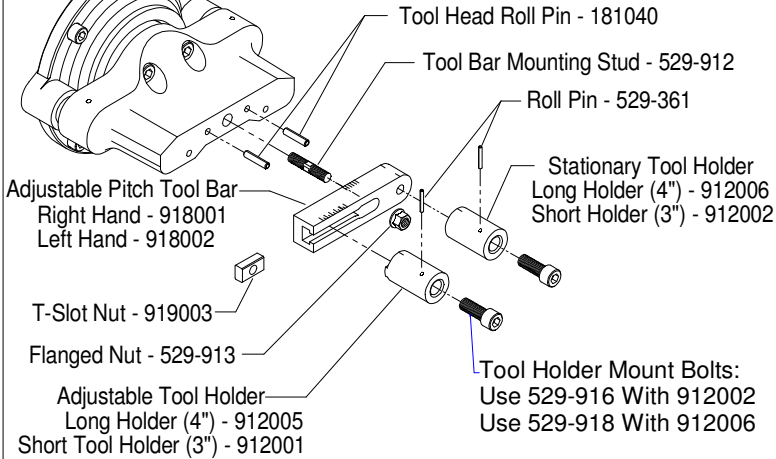
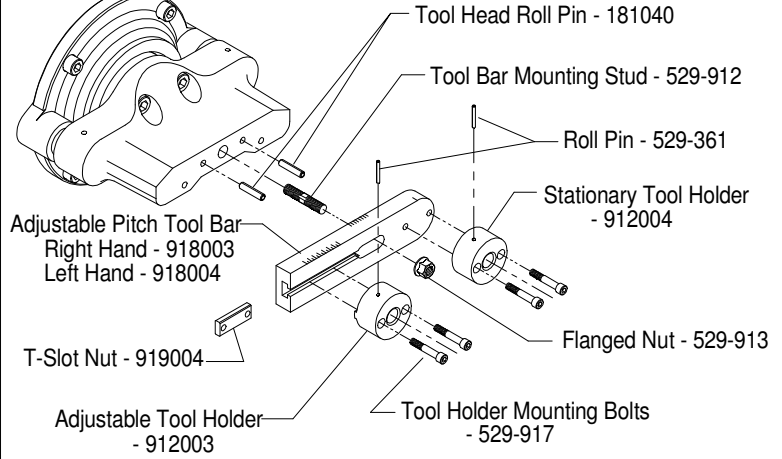


91 Series Tooling Identification

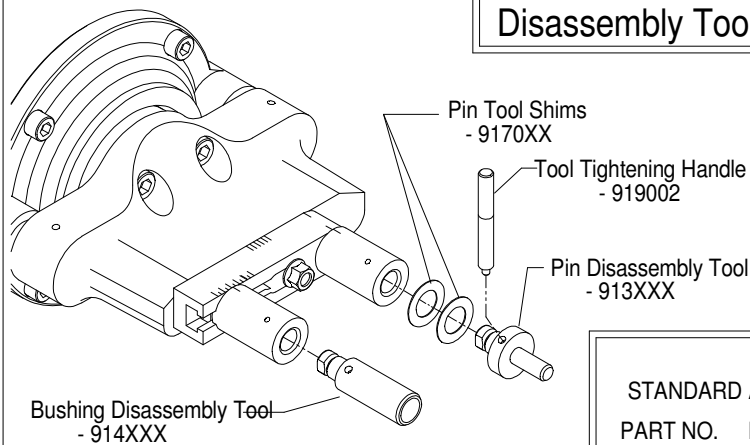
Tool Holders - 5-1/2" to 8" Pitch



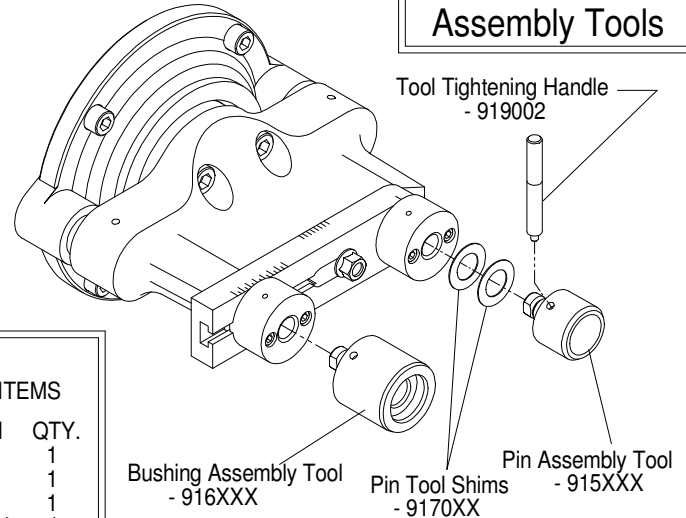
Tool Holders - 8" to 11-1/2" Pitch



Disassembly Tools



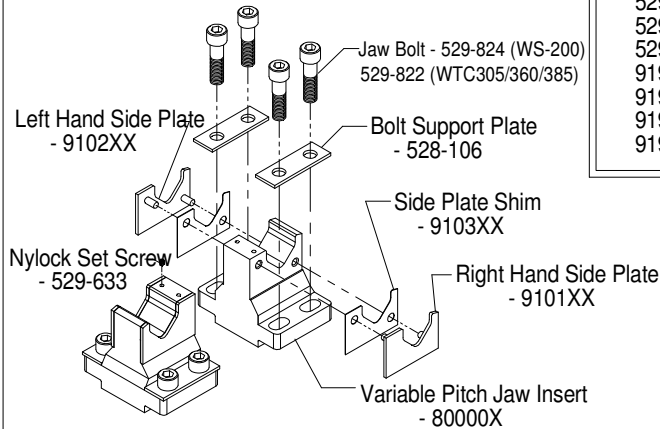
Assembly Tools



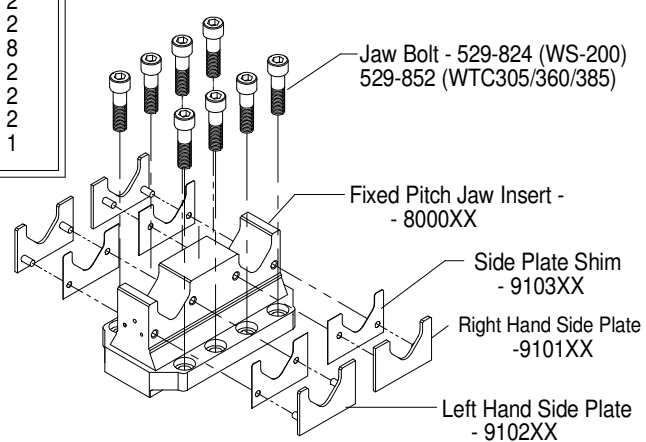
529-1425

STANDARD ACCESSORY ITEMS

PART NO.	DESCRIPTION	QTY.
525-246	5/8" Hex Key	1
525-247	5/16" Hex Key	1
525-248	3/8" Hex Key	1
528-106	Jaw Support Plate	4
529-633	Set Screw	8
529-912	Mounting Stud	2
529-913	Flanged Nut	2
529-917	Mounting Bolt	8
919002	Tightening Handle	2
919003	T-Slot Nut (1 Hole)	2
919004	T-Slot Nut (2 Hole)	2
919005	Tool Bar Wrench	1



Variable Pitch (Split) Jaw Inserts

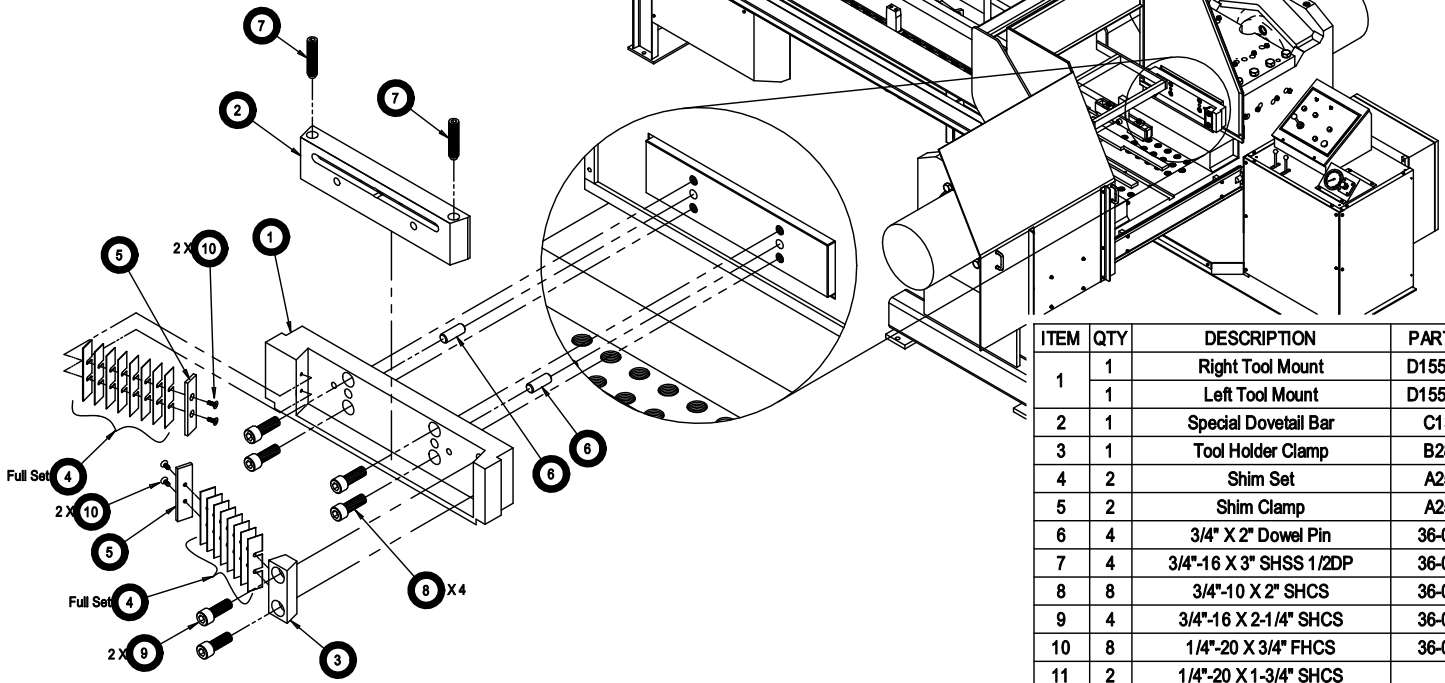


Fixed Pitch (Solid) Jaw Insert

91 Series Tooling Identification

Right Side Shown -
Left Side is Mirror Imaged

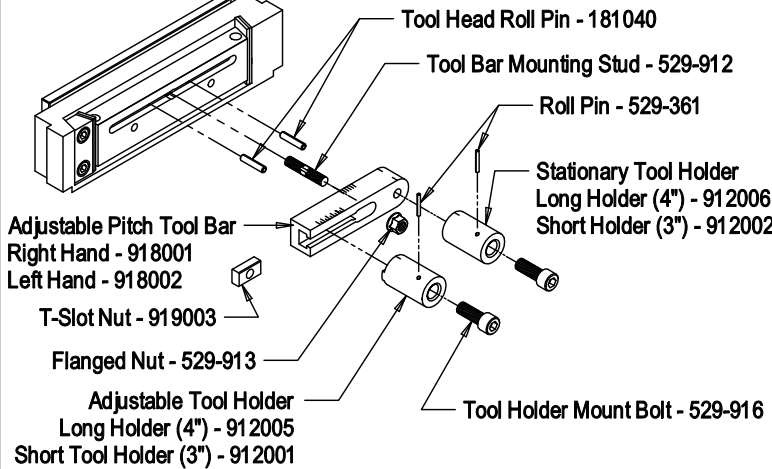
Tool Mounts



ITEM	QTY	DESCRIPTION	PART NO.
1	1	Right Tool Mount	D1551-001
	1	Left Tool Mount	D1551-002
2	1	Special Dovetail Bar	C1331
3	1	Tool Holder Clamp	B2831
4	2	Shim Set	A2593
5	2	Shim Clamp	A2595
6	4	3/4" X 2" Dowel Pin	36-0285
7	4	3/4"-16 X 3" SHSS 1/2DP	36-0291
8	8	3/4"-10 X 2" SHCS	36-0301
9	4	3/4"-16 X 2-1/4" SHCS	36-0328
10	8	1/4"-20 X 3/4" FHCS	36-0346
11	2	1/4"-20 X 1-3/4" SHCS	

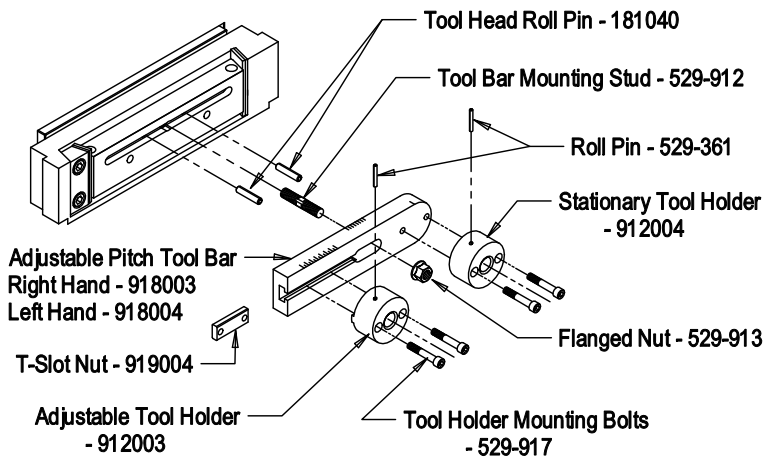
Left Side Shown -
Right Side Mirror Imaged

Tool Holders - 5-1/2" to 8" Pitch



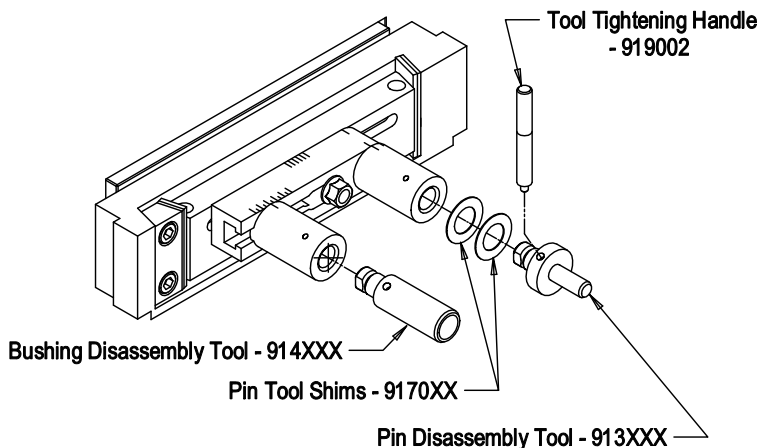
Left Side Shown -
Right Side Mirror Imaged

Tool Holders - 8" to 11-1/2" Pitch



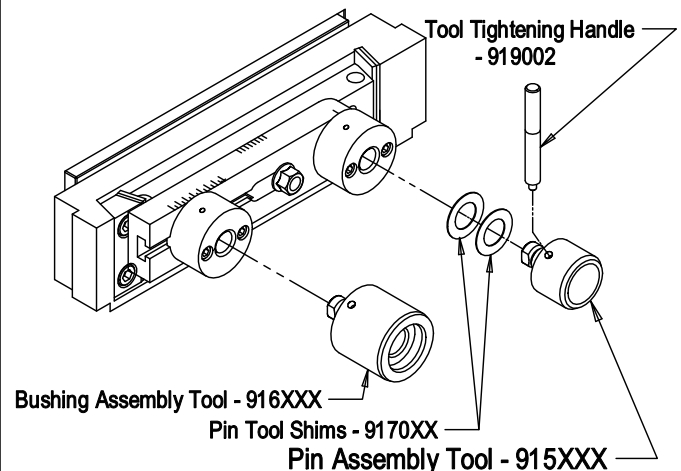
Left Side Shown -
Right Side Mirror Imaged

Disassembly Tools



Left Side Shown -
Right Side Mirror Imaged

Assembly Tools





**WTC Machinery Corporation
91 Series Track Tooling Chart**

Make	Model	Comments	Type	Pin Dia.	Pin Length	Bushing Dia.	Bushing Length	Pitch	Jaw Type	Jaw (*qty 2)	Side Plates (2)	Shims(4) Unless Specified	WS200 ONLY				Pin Dissy (2)	Bushing Dissy (2)	Pin Assembly (2)	Bushing Assembly (2)	Shim Group	M.B.A. (2)	WS310			
													RH Tool Bar	LH Tool Bar	Tool Holder ADJ (2)	Tool Holder Stat (2)							Plate for WS-310 (1)	Shim for WS-310 (2)		
AMER.AUGER	THT275	TRENCHER CHAIN		1.496	8.760	2.165/2.632	5.776	7.480	ADJ	800001*			918001	918002	912001	901002	913029	914160	915067	916318	917060					
CASE	350		FLUSH	0.993	5.220	1.500	3.180	5.875	ADJ	800005*			918001	918002	912005	912006	913042	914090	915068	916100	917059			528-142	528-148	
CASE	400		FLUSH	0.993	5.220	1.500	3.180	5.875	ADJ	800005*			918001	918002	912005	912006	913042	914090	915068	916100						
CASE	420		FLUSH	0.993	5.220	1.500	3.180	5.875	ADJ	800005*			918001	918002	912005	912006	913042	914090	915068	916100						
CASE	450		FLUSH	1.187	5.380	1.750	3.150	5.750	ADJ	800005*			918001	918002	912005	912006	913030	914086	915066	916098	917059			528-142	528-144	
CASE	450			1.063	5.375	1.625	3.326	5.875	ADJ	800005*			918001	918002	912005	912006	913079	914144	915225	916274						
CASE	500		FLUSH	0.993	5.220	1.500	3.180	5.875	ADJ	800005*			918001	918002	912005	912006	913042	914090	915068	916100						
CASE	550		SALT	1.129	6.575	1.996	4.295	6.290	ADJ	800005*	910104	910204	918001	918002	912005	912006	913004	914123	915144	916199	917059	9002010		528-142		
CASE	550	JAK0013968 & DN	SEALED	1.129	6.457	1.850	4.598	5.998	ADJ	800005*			918001	918002	912005	912006	913030	914066	915066	916198						
CASE	550		SEALED	1.129	6.575	1.996	4.800	6.290	ADJ	800005*	910104	910204	918001	918002	912005	912006	913004	914122	915144	916017	917059	9002009		528-142		
CASE	560		FLUSH	0.993	5.220	1.500	3.180	5.875	ADJ	800005*			918001	918002	912005	912006	913042	914090	915068	916100						
CASE	600			1.063	5.375	1.625	3.326	5.875	ADJ	800005*			918001	918002	912005	912006	913079	914144	915225	916274						
CASE	650		SALT	1.318	7.224	2.119	4.312	6.735	ADJ	800005*	910104	910204	910304	918001	918002	912005	912006	913020	914030	915158	916239	917059	9002020		528-150	528-146
CASE	650		SEALED	1.318	7.224	2.119	4.862	6.734	ADJ	800005*	910104	910204	910304	918001	918002	912005	912006	913053	914030	915011	916187	917059	9002020		528-150	528-146
CASE	700	S/N 7070351 & DN	RECESSED	1.248	6.500	1.871	4.640	6.250	ADJ	800005*			918001	918002	912005	912006	913027	914089	915056	916093						
CASE	750		RECESSED	1.375	6.940	1.995	4.640	6.250	ADJ	800005*	910104	910204	918001	918002	912005	912006	913027	914059	915069	916092	917059			528-150	528-146	
CASE	800		RECESSED	1.248	6.500	1.871	4.640	6.250	ADJ	800005*	910104	910204	918001	918002	912005	912006	913027	914089	915056	916093	917059	900220		528-142		
CASE	850		SEALED	1.375	6.940	2.000	4.700	6.250	ADJ	800005*	910104	910204	918001	918002	912005	912006	913031	914043	915009	916090	917059	900261		528-150	528-146	
CASE	1000	HD	RECESSED	1.375	6.940	1.995	4.640	6.250	ADJ	800005*	910104	910204	918001	918002	912005	912006	913027	914059	915069	916092	917059			528-150	528-146	
CASE	1000		RECESSED	1.248	6.500	1.871	4.640	6.250	ADJ	800005*	910104	910204	918001	918002	912005	912006	913027	914089	915056	916093	917059	900220		528-142		
CASE	1000		SEALED	1.375	6.940	2.000	4.700	6.250	ADJ	800005*	910104	910204	918001	918002	912005	912006	913031	914043	915009	916090	917059	900261		528-150	528-146	
CASE	1150		RECESSED	1.375	6.940	1.995	4.640	6.250	ADJ	800005*	910104	910204	918001	918002	912005	912006	913027	914059	915069	916092	917059			528-150	528-146	
CASE	1150		SEALED	1.375	6.940	2.000	4.700	6.250	ADJ	800005*	910104	910204	918001	918002	912005	912006	913031	914043	915009	916090	917059	900261		528-150	528-146	
CASE	1150		SEALED	1.375	6.940	1.995	4.640	6.250	ADJ	800005*			918001	918002	912005	912006	913053	914030	915011	916187						
CASE	1450		SEALED	1.752	9.075	2.620	6.205	8.020	8-HOLE	910025	910114	910214	918003	918004	912003	912004	913038	914003	915070	916095	917060	900274		528-150	528-144	
CASE	1550		SALT	1.753	9.060	2.620	5.640	8.020	8-HOLE	910025	910114	910214	910314	918003	918004	912003	912004	913026	914012	915006	916132	917060			528-150	
CASE	1550		SEALED	1.753	9.060	2.620	6.200	8.020	8-HOLE	910025			918003	918004	912003	912004	913038	914003	915226	916197						
CASE	1150B		SEALED	1.500	8.100	2.185	5.700	6.678	ADJ	800005*	910104	910204	910304(8)	918001	918002	912005	912006	913019	914058	915067	916097	917059	900212		528-150	
CASE	1150D	7310051 & PRIOR	SEALED	1.440	8.110	2.314	5.563	6.678	ADJ	800005*	910104	910204	910304(12)	918001	918002	912005	912006	913033	914042	915052	916199	917059	9002019		528-150	528-144
CASE	1150D	7310051 & PRIOR	SALT	1.440	8.110	2.314	5.070	6.678	ADJ	800005*			918001	918002	912005	912006	913033	914061	915052	916074						
CASE	1150E		SALT	1.440	8.110	2.314	5.070	6.678	ADJ	800005*	910104	910204	910304(12)	918001	918002	912005	912006	913033	914061	915052	916074	917059			528-143	528-147
CASE	1150E		SEALED	1.440	8.110	2.314	5.563	6.678	ADJ	800005*			918001	918002	912005	912006	913033	914042	915052	916199						
CASE	1155D	7311001 & PRIOR	SALT	1.440	8.110	2.314	5.070	6.678	ADJ	800005*			918001	918002	912005	912006	913033	914061	915052	916074						
CASE	1155D	7311001 & PRIOR	SEALED	1.440	8.110	2.314	5.563	6.678	ADJ	800005*	910104	910204	910304(12)	918001	918002	912005	912006	913033	914042	915052	916199	917059	9002019		528-150	528-144
CASE	1155E		SALT	1.440	8.110	2.314	5.070	6.678	ADJ	800005*	910104	910204	910304(12)	918001	918002	912005	912006	913033	914061	915052	916074	917059			528-143	528-147
CASE	1155E		SEALED	1.440	8.110	2.314	5.563	6.678	ADJ	800005*			918001	918002	912005	912006	913033	914042	915052	916199						
CASE	1450B		SALT	1.753	9.060	2.620	5.640	8.020	8-HOLE	910025	910114	910214	910314	918003	918004	912003	912004	913026	914012	915006	916132	917060			528-150	
CASE	1450B		SEALED	1.752	9.075	2.620	6.205	8.020	8-HOLE	910025	910114	910214		918003	918004	912003	912004	913038	914003	915070	916095	917060	900274		528-150	528-144
CASE	1450B	S/N 8383001 & UP	SEALED	1.753	9.060	2.620	6.200	8.020	8-HOLE	910025			918003	918004	912003	912004	913038	914003	915226	916197						
CASE	1455B		SALT	1.753	9.060	2.620	5.640	8.020	8-HOLE	910025	910114	910214	910314	918003	918004	912003	912004	913026	914012	915006	916132	917060			528-150	
CASE	1455B		SEALED	1.752	9.075	2.620	6.205	8.020	8-HOLE	910025	910114	910214		918003	918004	912003	912004	913038	914003	915070	916095	917060	900274		528-150	528-144
CASE	1455B	S/N 8480001 & UP	SEALED	1.753	9.060	2.620	6.200	8.020	8-HOLE	910025			918003	918004	912003	912004	913038	914003	915226	916197						



**WTC Machinery Corporation
91 Series Track Tooling Chart**

2/13/2024

Make	Model	Comments	Type	Pin Dia.	Pin Length	Bushing Dia.	Bushing Length	Pitch	Jaw Type	Jaw (*qty 2)	Side Plates (2)	Shims(4) Unless Specified	RH Tool Bar	LH Tool Bar	Tool Holder ADJ (2)	Tool Holder Stat (2)	Pin Dissy (2)	Bushing Dissy (2)	Pin Assembly (2)	Bushing Assembly (2)	Shim Group	M.B.A. (2)	Plate for WS-310 (1)	Shim for WS-310 (2)	
CASE	310G		FLUSH	0.993	5.220	1.500	3.180	5.875	ADJ	800005*				918001	918002	912005	912006	913042	914090	915068	916100	917059		528-142	528-148
CASE	350B		SEALED	0.994	5.219	1.500	3.359	5.875	ADJ	800005*				918001	918002	912005	912006	913075	914144	915224	916273				
CASE	450A	S/N 3030801 & UP	SEALED	1.250	6.540	1.875	4.310	6.000	ADJ	800005*	910104	910204		918001	918002	912005	912006	913031	914088	915069	916088	917059	900260	528-142	
CASE	450B		SEALED	1.250	6.540	1.875	4.310	6.000	ADJ	800005*	910104	910204		918001	918002	912005	912006	913031	914088	915069	916088	917059	900260	528-142	
CASE	450C		SALT	1.129	6.460	1.850	4.090	6.000	ADJ	800005*	910104	910204		918001	918002	912005	912006	913031	914066	915046	916034	917059		528-142	
CASE	450C		SEALED	1.129	6.457	1.850	4.598	5.998	ADJ	800005*	910104	910204		918001	918002	912005	912006	913030	914066	915066	916198	917059	9002018	528-142	
CASE	455C		SALT	1.129	6.460	1.850	4.090	6.000	ADJ	800005*	910104	910204		918001	918002	912005	912006	913031	914066	915046	916034	917059		528-142	
CASE	550E		SALT	1.129	6.575	1.996	4.295	6.290	ADJ	800005*	910104	910204		918001	918002	912005	912006	913004	914123	915144	916199	917059	9002010	528-142	
CASE	550E		SEALED	1.129	6.575	1.996	4.800	6.290	ADJ	800005*	910104	910204		918001	918002	912005	912006	913004	914122	915144	916017	917059	9002009	528-142	
CASE	550G	w/ Floating Bushing	SEALED	1.129	6.575	1.996	4.795	6.290	ADJ	800005*	910128	910228	910328	918001	918002	912005	912006	913004	914122	915144	916017	917059	9002009	528-142	
CASE	850B		SEALED	1.375	6.940	2.000	4.700	6.250	ADJ	800005*	910104	910204		918001	918002	912005	912006	913031	914043	915009	916090	917059	900261	528-150	528-146
CASE	850D		SALT	1.318	7.220	2.119	4.220	6.250	ADJ	800005*	910104	910204	910304	918001	918002	912005	912006	913020	914030	915011	916164	917059		528-150	528-144
CASE	850D		SALT	1.318	7.224	2.119	4.312	6.735	ADJ	800005*	910104	910204	910304	918001	918002	912005	912006	913020	914030	915158	916239	917059	9002020	528-150	528-146
CASE	850D		SEALED	1.375	6.940	1.995	4.640	6.250	ADJ	800005*	910104	910204		918001	918002	912005	912006	913053	914030	915011	916187	917059	9002008	528-150	528-146
CASE	850D		SEALED	1.318	7.224	2.119	4.862	6.734	ADJ	800005*	910104	910204	910304	918001	918002	912005	912006	913053	914030	915011	916187	917059	9002020	528-150	528-146
CASE	850E	AFTER 4-1-89	SALT	1.318	7.224	2.119	4.312	6.735	ADJ	800005*	910104	910204	910304	918001	918002	912005	912006	913020	914030	915158	916239	917059	9002020	528-150	528-146
CASE	850E	AFTER 4-1-89	SEALED	1.318	7.224	2.119	4.862	6.734	ADJ	800005*	910104	910204	910304	918001	918002	912005	912006	913053	914030	915011	916187	917059	9002020	528-150	528-146
CASE	850G		SALT	1.318	7.224	2.119	4.312	6.735	ADJ	800005*	910104	910204	910304	918001	918002	912005	912006	913020	914030	915158	916239	917059	9002020	528-150	528-146
CASE	850G		SEALED	1.318	7.224	2.119	4.862	6.734	ADJ	800005*	910104	910204	910304	918001	918002	912005	912006	913053	914030	915011	916187	917059	9002020	528-150	528-146
CASE	850H		SALT	1.318	7.224	2.119	4.312	6.735	ADJ	800005*	910104	910204	910304	918001	918002	912005	912006	913020	914030	915158	916239	917059	9002020	528-150	528-146
CASE	850H		SEALED	1.318	7.224	2.119	4.862	6.734	ADJ	800005*	910104	910204	910304	918001	918002	912005	912006	913053	914030	915011	916187	917059	9002020	528-150	528-146
CASE	850K		SALT	1.318	7.224	2.119	4.312	6.735	ADJ	800005*	910104	910204	910304	918001	918002	912005	912006	913020	914030	915158	916239	917059	9002020	528-150	528-146
CASE	850K		SEALED	1.318	7.224	2.119	4.862	6.734	ADJ	800005*	910104	910204	910304	918001	918002	912005	912006	913053	914030	915011	916187	917059	9002020	528-150	528-146
CASE	855D		SALT	1.318	7.220	2.119	4.220	6.250	ADJ	800005*	910104	910204	910304	918001	918002	912005	912006	913020	914030	915011	916164	917059		528-150	528-144
CASE	855D	AFTER 4-1-89	SALT	1.318	7.224	2.119	4.312	6.735	ADJ	800005*	910104	910204	910304	918001	918002	912005	912006	913020	914030	915158	916239	917059	9002020	528-150	528-146
CASE	855D		SEALED	1.375	6.940	1.995	4.640	6.250	ADJ	800005*	910104	910204		918001	918002	912005	912006	913053	914030	915011	916187	917059	9002008	528-150	528-146
CASE	855D	AFTER 4-1-89	SEALED	1.318	7.224	2.119	4.862	6.734	ADJ	800005*	910104	910204	910304	918001	918002	912005	912006	913053	914030	915011	916187	917059	9002020	528-150	528-146
CAT	30		RECESS	1.314	7.000	1.993	5.000	6.735	ADJ	800005*				918001	918002	912005	912006	913010	914016	915011	916017				
CAT	215	w/ 9/16 BOLT	SEALED	1.315	6.370	2.120	4.170	6.735	ADJ	800005*				918001	918002	912005	912006	913030	914002	915089	916127	917059	900223	528-150	528-144
CAT	215	w/ 5/8 BOLT	SEALED	1.314	7.220	2.118	4.990	6.735	ADJ	800005*	910104	910204		918001	918002	912005	912006	913010	914011	915011	916011	917059	900272	528-150	528-144
CAT	219		SEALED	1.442	8.120	2.312	5.700	7.480	ADJ	800001*				918001	918002	912005	912006	913033	914113	915052	916094				
CAT	225	EXC	SEALED	1.314	7.220	2.118	4.990	6.735	ADJ	800005*	910104	910204		918001	918002	912005	912006	913010	914011	915011	916011	917059	900272	528-150	528-144
CAT	225		SEALED	1.752	9.060	2.621	6.356	7.984	8-HOLE	910025	910114	910214	910314	918003	918004	912003	912004	913003	914003	915003	916003	917060	900234	528-150	528-144
CAT	227		SEALED	1.752	9.060	2.621	6.356	7.984	8-HOLE	910025	910114	910214	910314	918003	918004	912003	912004	913003	914003	915003	916003	917060	900234	528-150	528-144
CAT	229		SEALED	1.752	9.060	2.621	6.356	7.984	8-HOLE	910025	910114	910214	910314	918003	918004	912003	912004	913003	914003	915003	916003	917060	900234	528-150	528-144
CAT	235	EXC	SEALED	1.752	9.060	2.621	6.356	7.984	8-HOLE	910025	910114	910214	910314	918003	918004	912003	912004	913003	914003	915003	916003	917060	900234	528-150	528-144
CAT	235		SEALED	1.877	9.880	2.812	6.963	8.500	8-HOLE	910024	910108	910208	910308	918003	918004	912003	912004	913005	914013	915012	916013	917060	900227	528-143	528-147
CAT	245	EXC	SEALED	2.253	11.259	3.371	7.866	10.250	8-HOLE	910042				918003	918004	912003	912004	913007	914005	915005	916005	917060	900238	528-150	528-147
CAT	311	EXC	SEALED	1.321	7.010	1.992	4.660	6.750	ADJ	800005*	910116	910216		918001	918002	912005	912006	913053	914002	915059	916200	917059		528-150	528-146
CAT	312	EXC	SEALED	1.321	7.010	1.992	4.660	6.750	ADJ	800005*	910116	910216		918001	918002	912005	912006	913053	914002	915059	916200	917059		528-150	528-146
CAT	315	EXC	SEALED	1.442	8.150	2.312	5.700	7.480	ADJ	800001*				918001	918002	912005	912006	913033	914113	915140	916094	917059	900209	528-142	
CAT	317	EXC	SEALED	1.442	8.150	2.312	5.700	7.480	ADJ	800001*				918001	918002	912005	912006	913033	914113	915140	916094	917059	900209	528-142	
CAT	320	EXC	SEALED	1.442	8.150	2.312	5.700	7.480	ADJ	800001*				918001	918002	912005	912006	913033	914113	915140	916094	917059	900209	528-142	



**WTC Machinery Corporation
91 Series Track Tooling Chart**

2/13/2024

Make	Model	Comments	Type	Pin Dia.	Pin Length	Bushing Dia.	Bushing Length	Pitch	Jaw Type	Jaw (*qty 2)	Side Plates (2)	Shims(4) Unless Specified	RH Tool Bar	LH Tool Bar	Tool Holder ADJ (2)	Tool Holder Stat (2)	Pin Dissy (2)	Bushing Dissy (2)	Pin Assembly (2)	Bushing Assembly (2)	Shim Group	M.B.A. (2)	Plate for WS-310 (1)	Shim for WS-310 (2)	
CAT	322	EXC	SEALED	1.442	8.150	2.312	5.700	7.480	ADJ	800001*			918001	918002	912005	912006	913033	914113	915140	916094	917059	900209	528-142		
CAT	325	EXC	SEALED	1.654	9.055	2.519	6.319	8.000	8-HOLE	910025	910114	910214		918003	918004	912003	912004	913012	914120	915141	916196	917060	9002015	528-150	528-146
CAT	330	EXC	SEALED	1.811	9.665	2.677	6.785	8.500	8-HOLE	910024	910108	910208		918003	918004	912003	912004	913005	914121	915015	916197	917060	9002016	528-143	
CAT	345	EXC	SEALED	2.003	11.438	2.996	7.941	8.500	8-HOLE	910024	910108	910208	910308	918003	918004	912003	91204	913001	914001	915142	916001	917060	9002017	528-143	528-147
CAT	350		SEALED	2.003	11.438	2.996	7.941	9.000	8-HOLE	910016	910108	910208	910308	918003	918004	912003	912004	913001	914001	915001	916001	917060	900236	528-143	528-147
CAT	365	EXC	SEALED	2.253	12.244	3.710	8.854	10.250	8-HOLE	910042	910120	910220		918003	918004	912003	912004	913007	914005	915139	916005	917060	900238	528-150	528-147
CAT	375	EXC	SEALED	2.253	12.244	3.710	8.854	10.250	8-HOLE	910042	910120	910220		918003	918004	912003	912004	913007	914005	915139	916005	917060	900238	528-150	528-147
CAT	561	PIPELAYER	SEALED	1.442	8.125	2.312	5.704	6.906	ADJ	800001*	910103	910203		918001	918002	912005	912006	913008	914009	915009	916009	917059	900248	528-142	
CAT	571		SEALED	1.752	9.875	2.621	6.865	7.984	8-HOLE	910025	910114	910214	910314(16)	918003	918004	912003	912004	913012	914012	915012	916015	917060	900234	528-150	528-144
CAT	572		SEALED	1.752	9.875	2.621	6.865	7.984	8-HOLE	910025	910114	910214	910314(16)	918003	918004	912003	912004	913012	914012	915012	916015	917060	900234	528-150	528-144
CAT	572		SEALED	1.877	9.880	2.812	6.963	8.500	8-HOLE	910024	910108	910208	910308	918003	918004	912003	912004	913005	914013	915012	916013	917060	900227	528-143	528-147
CAT	578		PPR	1.878	9.650	2.937	6.405	8.500	8-HOLE	910024	910112	910212	910312	918003	918004	912003	912004	913006	914010	915207	916303	917060		528-143	
CAT	578	PIPELAYER	SALT	1.880	9.880	2.940	6.410	8.500	8-HOLE	910024	910112	910212	910312	918003	918004	912003	912004	913005	914006	915006	916132	917060		528-143	
CAT	583		SEALED	1.752	11.438	2.621	7.928	7.985	8-HOLE	910025	910114	910214	910314(16)	918003	918004	912003	912004	913011	914011	915013	916014	917060	900203	528-150	528-144
CAT	589		PPR	2.000	10.770	3.230	7.350	9.000	8-HOLE	910016	910110	910210		918003	918004	912003	912004	913006	914010	915064	916131	917060		528-143	
CAT	589	PIPELAYER	SALT	2.000	11.437	3.220	7.355	9.000	8-HOLE	910016	910110	910210		918003	918004	912003	912004	913006	914007	915093	916131	917060		528-143	
CAT	931		SALT	1.126	6.161	1.850	3.706	6.125	ADJ	800005*				918001	918002	912005	912006	913034	914069	915082	916115	917059		528-142	
CAT	931		SEALED	1.129	6.156	1.850	4.222	6.125	ADJ	800005*				918001	918002	912005	912006	913004	914004	915004	916004	917059	900200	528-142	
CAT	933		SEALED	1.129	6.156	1.850	4.222	6.125	ADJ	800005*				918001	918002	912005	912006	913004	914004	915004	916004	917059	900200	528-142	
CAT	939		SALT	1.318	7.535	2.228	4.437	6.735	ADJ	800005*	910116	910216	910304	918001	918002	912005	912006	913054	914062	915149	916203	917059		528-150	528-146
CAT	941		SALT	1.314	7.220	2.119	4.437	6.735	ADJ	800005*				918001	918002	912005	912006	913027	914062	915052	916156				
CAT	941	w/ 5/8 BOLT	SEALED	1.314	7.220	2.118	4.990	6.735	ADJ	800005*	910104	910204		918001	918002	912005	912006	913010	914011	915011	916011	917059	900272	528-150	528-144
CAT	941	w/ 9/16 BOLT	SEALED	1.314	7.000	1.993	4.834	6.735	ADJ	800001*				918001	918002	912005	912006	913002	914002	915002	916002	917059	900200	528-142	528-148
CAT	943	HI RAIL	SALT	1.315	7.220	2.119	4.437	6.735	ADJ	800005*				918001	918002	912005	912006	913031	914002	915002	916251				
CAT	943	HI RAIL	SALT	1.314	7.220	2.119	4.437	6.735	ADJ	800005*				918001	918002	912005	912006	913027	914062	915052	916156				
CAT	951		SALT	1.442	8.120	2.312	5.210	6.906	ADJ	800001*	910103	910203		918001	918002	912005	912006	913008	914070	915052	916074	917059		528-142	
CAT	951		SEALED	1.442	8.125	2.118	5.704	6.735	ADJ	800001*				918001	918002	912005	912006	913008	914009	915009	916009	917059	900237	528-142	528-146
CAT	953	HI RAIL	SALT	1.442	8.120	2.312	5.214	6.906	ADJ	800001*	910119	910219		918001	918002	912005	912006	913008	914070	915052	916074	917059		528-142	528-147
CAT	953		SALT	1.442	8.120	2.312	5.210	6.906	ADJ	800001*	910103	910203		918001	918002	912005	912006	913008	914070	915052	916074	917059		528-142	
CAT	953	LGP	SALT	1.442	8.120	2.312	5.210	6.906	ADJ	800001*	910103	910203		918001	918002	912005	912006	913008	914070	915052	916074	917059		528-142	
CAT	955		SALT	1.753	9.060	2.621	5.783	7.980	8-HOLE	910025	910114	910214	910314	918003	918004	912003	912004	913013	914015	915003	916016	917060		528-150	
CAT	955	HD	SEALED	1.442	8.125	2.118	5.704	6.735	ADJ	800001*				918001	918002	912005	912006	913008	914009	915009	916009	917059	900237	528-142	528-146
CAT	955		SEALED	1.752	9.060	2.621	6.356	7.984	8-HOLE	910025	910114	910214	910314	918003	918004	912003	912004	913003	914003	915003	916003	917060	900234	528-150	528-144
CAT	963		SALT	1.753	9.060	2.621	5.783	7.980	8-HOLE	910025	910114	910214	910314	918003	918004	912003	912004	913013	914015	915003	916016	917060		528-150	
CAT	963	HI RAIL	SALT	1.753	9.060	2.621	5.783	7.980	8-HOLE	910025	910114	910214	910314	918003	918004	912003	912004	913013	914015	915003	916016	917060		528-150	
CAT	963	Berco	SALT	1.753	9.060	2.621	5.783	7.980	8-HOLE	910025	910114	910214	910314	918003	918004	912003	912004	913013	914015	915003	916289	917060		528-150	
CAT	973	HI RAIL	SALT	1.878	9.880	2.812	6.409	8.500	8-HOLE	910024				918003	918004	912003	912004	913064	914022	915201	916152				
CAT	973		SALT	1.877	9.880	2.812	6.409	8.500	8-HOLE	910024	910108	910208	910308	918003	918004	912003	912004	913005	914006	915006	916006	917060		528-143	528-144
CAT	973	HI RAIL	SALT	1.877	9.880	2.812	6.409	8.500	8-HOLE	910024	910108	910208	910308	918003	918004	912003	912004	913005	914006	915006	916006	917060		528-143	528-144
CAT	973	LGP	SALT	1.877	9.880	2.812	6.409	8.500	8-HOLE	910024	910108	910208	910308	918003	918004	912003	912004	913005	914006	915006	916006	917060		528-143	528-144
CAT	973		SEALED	1.877	9.880	2.812	6.963	8.500	8-HOLE	910024	910108	910208	910308	918003	918004	912003	912004	913005	914013	915012	916013	917060	900227	528-143	528-147
CAT	977		SALT	1.877	9.880	2.812	6.409	8.500	8-HOLE	910024	910108	910208	910308	918003	918004	912003	912004	913005	914006	915006	916006	917060		528-143	528-144
CAT	977	OPT FORMER	SEALED	1.442	8.125	2.312	5.704	6.906	ADJ	800001*	910103	910203		918001	918002	912005	912006	913008	914009	915009	916009	917059	900248	528-142	



WTC Machinery Corporation
91 Series Track Tooling Chart

Table with 25 columns: Make, Model, Comments, Type, Pin Dia., Pin Length, Bushing Dia., Bushing Length, Pitch, Jaw Type, Jaw (*qty 2), Side Plates (2), Shims(4) Unless Specified, RH Tool Bar, LH Tool Bar, Tool Holder ADJ (2), Tool Holder Stat (2), Pin Dissy (2), Bushing Dissy (2), Pin Assembly (2), Bushing Assembly (2), Shim Group, M.B.A. (2), Plate for WS-310 (1), Shim for WS-310 (2). Rows include various CAT models like 977, 983, 5080, 5130, E70B, 14A, 17A, 215A, 225B, 225C, 231D, 235-6, 235D, 245S, 299D, 307C, 308, 312C, 313B, 314B, 315B, 315C, 318C, 320B, 320C, 320D, 320EL, 322B, 322C, 325BL, 325C, 329, 330B, 330C, 336EL, 336NGH, 345B, 345BL, 345CL.



WTC Machinery Corporation
91 Series Track Tooling Chart

2/13/2024

Make	Model	Comments	Type	Pin Dia.	Pin Length	Bushing Dia.	Bushing Length	Pitch	Jaw Type	Jaw (*qty 2)	Side Plates (2)	Shims(4) Unless Specified	RH Tool Bar	LH Tool Bar	Tool Holder ADJ (2)	Tool Holder Stat (2)	Pin Dissy (2)	Bushing Dissy (2)	Pin Assembly (2)	Bushing Assembly (2)	Shim Group	M.B.A. (2)	Plate for WS-310 (1)	Shim for WS-310 (2)	
CAT	345C	EXC	PPR2	1.862	9.882	2.902	6.378	8.500	8-HOLE	910024			918003	918004	912003	912004	913005	914006	915340	916293	917060		528-143	528-144	
CAT	349E		SALT	1.877	9.880	2.812	6.409	8.500	8-HOLE	910024			918003	918004	912003	912004	913005	914006	915055	916312	917060		528-143	528-144	
CAT	349E	Link 492-0233	GREASE	1.878	9.892	2.815	6.632	8.500	8-HOLE	910024			918003	918004	912003	912004	913005	914081	915200	916370	917060		528-143	528-144	
CAT	349F	EXC	PPR2	1.877	9.805	2.891	6.409	8.500	8-HOLE	910024			918003	918004	912003	912004	913005	914006	915017	916364	917060		528-143	528-144	
CAT	365BL	EXC	SEALED	2.253	12.244	3.710	8.854	10.250	8-HOLE	910028			918003	918004	912003	912004	913007	914005	915139	916005					
CAT	385B	EXC	SEALED	2.253	13.188	3.371	8.854	10.250	8-HOLE	910042	910120	910220	918003	918004	912003	912004	913058	914005	915168	916005	917060	900238	528-150	528-147	
CAT	390	EXC	SEALED	2.165	12.402	3.346	8.268	10.250	8-HOLE	910042	910138	910238	918003	918004	912003	912004	913035	914159	915284	916317	917060		528-150	528-147	
CAT	561H	HD	SALT	1.418	8.445	2.366	4.670	6.735	ADJ	800005*	910116	910216	910304	918001	918002	912005	912006	913054	914126	915145	916205	917059	9002011	528-150	
CAT	561H		SALT	1.318	7.535	2.228	4.437	6.735	ADJ	800005*	910116	910216	910304	918001	918002	912005	912006	913054	914062	915149	916203	917059		528-150	528-146
CAT	571A		SALT	1.877	9.880	2.812	6.409	8.500	8-HOLE	910024	910108	910208	910308	918003	918004	912003	912004	913005	914006	915006	916006	917060		528-143	528-144
CAT	571A		SEALED	1.877	9.880	2.812	6.963	8.500	8-HOLE	910024	910108	910208	910308	918003	918004	912003	912004	913005	914013	915012	916013	917060	900227	528-143	528-147
CAT	583R	PIPELAYER	SALT	1.880	9.880	2.940	6.410	8.500	8-HOLE	910024	910112	910212	910312	918003	918004	912003	912004	913005	914006	915006	916132	917060		528-143	
CAT	594		SEALED	2.252	12.250	3.371	8.856	10.250	8-HOLE	910042	910120	910220		918003	918004	912003	91204	913007	914005	915005	916005	917060	900238	528-150	528-147
CAT	933	CURRENT	SALT	1.126	6.161	1.850	3.706	6.125	ADJ	800005*				918001	918002	912005	912006	913034	914069	915082	916115	917059		528-142	
CAT	935B		SALT	1.126	6.161	1.850	3.706	6.125	ADJ	800005*				918001	918002	912005	912006	913034	914069	915082	916115	917059		528-142	
CAT	935B		SEALED	1.129	6.156	1.850	4.222	6.125	ADJ	800005*				918001	918002	912005	912006	913004	914004	915004	916004	917059	900200	528-142	
CAT	935C		SALT	1.126	6.161	1.850	3.706	6.125	ADJ	800005*				918001	918002	912005	912006	913034	914069	915082	916115	917059		528-142	528-142
CAT	951B		SEALED	1.442	8.125	2.312	5.704	6.906	ADJ	800001*	910103	910203		918001	918002	912005	912006	913008	914009	915009	916009	917059	900248	528-142	
CAT	951B		SEALED	1.442	8.125	2.118	5.704	6.735	ADJ	800001*				918001	918002	912005	912006	913008	914009	915009	916009	917059	900237	528-142	528-146
CAT	951C		SEALED	1.442	8.125	2.312	5.704	6.906	ADJ	800001*	910103	910203		918001	918002	912005	912006	913008	914009	915009	916009	917059	900248	528-142	
CAT	953	HYBRID	SALT	1.442	8.100	2.530	5.120	7.480	ADJ	800001*				918001	918002	912001	912002	913019	914113	915278	916310	917059		528-142	
CAT	953C		SALT	1.442	8.120	2.312	5.210	6.906	ADJ	800001*	910103	910203		918001	918002	912005	912006	913008	914070	915242	916074	917059		528-142	
CAT	953K	Conventional Track	SALT	1.442	8.120	2.312	5.210	6.906	ADJ	800001*	910103	910203		918001	918002	912005	912006	913008	914070	915242	916074	917059		528-142	
CAT	955K		SEALED	1.442	8.125	2.312	5.704	6.906	ADJ	800001*	910103	910203		918001	918002	912005	912006	913008	914009	915009	916009	917059	900248	528-142	
CAT	977K		SEALED	1.752	9.875	2.621	6.865	7.984	8-HOLE	910025	910114	910214	910314(16)	918003	918004	912003	912004	913012	914012	915012	916015	917060	900234	528-150	528-144
CAT	983		SALT	2.002	11.438	2.996	7.355	9.000	8-HOLE	910016	910108	910208	910308(8)	918003	918004	912003	912004	913006	914007	915007	916007	917060		528-143	528-145
CAT	AP1050		SEALED	1.129	6.156	1.850	4.222	6.125	ADJ	800005*				918001	918002	912005	912006	913004	914004	915004	916004	917059	900200	528-142	
CAT	D11R	ITR Snap Ring (D01110R)	IPR	2.626	13.812	4.330	9.343	12.500	8-HOLE	910033				918006	918006	Not Req	Not Req	9130092	914114	915203ITM	916298				
CAT	D11R		PPR	2.626	13.812	4.330	9.343	12.500	8-HOLE	910033				918006	918006	Not Req	Not Req	913092	914114	915203	916298			FINNING (CANADA)	SEE IF 9500 TOOLING!
CAT	D2		RECESS	1.127	6.156	1.687	4.250	6.125	ADJ	800005*				918001	918002	912005	912006	913067	914143	916040	916067				
CAT	D2		SEALED	1.125	6.180	1.690	4.255	6.125	ADJ	800005*				918001	918002	912005	912006	913066	914142	915040	916068				
CAT	D3		SALT	1.126	6.161	1.850	3.706	6.125	ADJ	800005*				918001	918002	912005	912006	913034	914069	915082	916115	917059		528-142	
CAT	D3	EARLY	SALT	1.126	6.161	1.850	3.706	6.125	ADJ	800005*				918001	918002	912005	912006	913034	914069	915082	916115	917059		528-142	
CAT	D3		SALT	1.126	6.161	1.850	3.706	6.125	ADJ	800005*				918001	918002	912005	912006	913034	914069	915082	916115	917059		528-142	528-142
CAT	D3	FORMER	SALT	1.126	6.161	1.850	3.706	6.125	ADJ	800005*				918001	918002	912005	912006	913034	914069	915082	916115	917059		528-142	528-142
CAT	D3		SEALED	1.129	6.156	1.850	4.222	6.125	ADJ	800005*				918001	918002	912005	912006	913004	914004	915004	916004	917059	900200	528-142	
CAT	D3B		SALT	1.126	6.161	1.850	3.706	6.125	ADJ	800005*				918001	918002	912005	912006	913034	914069	915082	916115	917059		528-142	
CAT	D3B		SEALED	1.129	6.156	1.850	4.222	6.125	ADJ	800005*				918001	918002	912005	912006	913004	914004	915004	916004	917059	900200	528-142	
CAT	D3C		SALT	1.126	6.161	1.850	3.706	6.125	ADJ	800005*				918001	918002	912005	912006	913034	914069	915082	916115	917059		528-142	
CAT	D3G		SALT	1.126	6.161	1.850	3.706	6.125	ADJ	800005*				918001	918002	912005	912006	913034	914069	915082	916115	917059		528-142	
CAT	D3G		SEALED	1.129	6.156	1.850	4.222	6.125	ADJ	800005*				918001	918002	912005	912006	913004	914004	915004	916004	917059	900200	528-142	
CAT	D3K		SALT	1.126	6.161	1.850	3.706	6.125	ADJ	800005*				918001	918002	912005	912006	913034	914069	915082	916115	917059		528-142	
CAT	D4		RECESS	1.314	7.000	1.993	5.000	6.735	ADJ	800005*				918001	918002	912005	912006	913010	914016	915011	916017				



WTC Machinery Corporation
91 Series Track Tooling Chart

2/13/2024

Make	Model	Comments	Type	Pin Dia.	Pin Length	Bushing Dia.	Bushing Length	Pitch	Jaw Type	Jaw (*qty 2)	Side Plates (2)	Shims(4) Unless Specified	RH Tool Bar	LH Tool Bar	Tool Holder ADJ (2)	Tool Holder Stat (2)	Pin Dissy (2)	Bushing Dissy (2)	Pin Assembly (2)	Bushing Assembly (2)	Shim Group	M.B.A. (2)	Plate for WS-310 (1)	Shim for WS-310 (2)	
CAT	D4		SEALED	1.314	7.000	1.993	4.834	6.735	ADJ	800001*			918001	918002	912005	912006	913002	914002	915002	916002	917059	900200	528-142	528-148	
CAT	D4		SALT	1.314	7.220	2.119	4.437	6.735	ADJ	800005*			918001	918002	912005	912006	913027	914062	915052	916156					
CAT	D4	w/ 1/2 BOLT	SEALED	1.314	7.000	1.994	4.804	6.735	ADJ	800001*			918001	918002	912005	912006	913002	914002	915137	916002	917059	9002011	528-142	528-148	
CAT	D4	w/ 9/16 BOLT	SEALED	1.314	7.000	1.994	4.804	6.735	ADJ	800001*			918001	918002	912005	912006	913002	914002	915137	916002	917059	9002011	528-142	528-148	
CAT	D4	w/ 9/16 BOLT	SEALED	1.314	7.000	2.119	4.804	6.735	ADJ	800005*	910104	910204	918001	918002	912005	912006	913002	914002	915138	916011	917059	9002011	528-150		
CAT	D4B		SALT	1.126	6.161	1.850	3.706	6.125	ADJ	800005*			918001	918002	912005	912006	913034	914069	915082	916115	917059		528-142		
CAT	D4B		SEALED	1.129	6.156	1.850	4.222	6.125	ADJ	800005*			918001	918002	912005	912006	913004	914004	915004	916004	917059	900200	528-142		
CAT	D4C		SALT	1.126	6.161	1.850	3.706	6.125	ADJ	800005*			918001	918002	912005	912006	913034	914069	915082	916115	917059		528-142		
CAT	D4C		SEALED	1.129	6.156	1.850	4.222	6.125	ADJ	800005*			918001	918002	912005	912006	913004	914004	915004	916004	917059	900200	528-142		
CAT	D4C	w/ 1/2 BOLT	SEALED	1.314	7.000	1.994	4.804	6.735	ADJ	800001*			918001	918002	912005	912006	913002	914002	915137	916002	917059	9002011	528-142	528-148	
CAT	D4C	w/ 9/16 BOLT	SEALED	1.314	7.000	1.994	4.804	6.735	ADJ	800001*			918001	918002	912005	912006	913002	914002	915137	916002	917059	9002011	528-142	528-148	
CAT	D4C	w/ 9/16 BOLT	SEALED	1.314	7.000	2.119	4.804	6.735	ADJ	800005*	910104	910204	918001	918002	912005	912006	913002	914002	915138	916011	917059	9002011	528-150		
CAT	D4D		SALT	1.314	7.220	2.119	4.437	6.735	ADJ	800005*			918001	918002	912005	912006	913027	914062	915052	916156					
CAT	D4D		SEALED	1.314	7.220	2.118	4.990	6.735	ADJ	800005*	910104	910204	918001	918002	912005	912006	913010	914011	915011	916011	917059	900272	528-150	528-144	
CAT	D4D		SEALED	1.314	7.000	1.993	4.834	6.735	ADJ	800001*			918001	918002	912005	912006	913002	914002	915002	916002	917059	900200	528-142	528-148	
CAT	D4D	w/ 1/2 BOLT	SEALED	1.314	7.000	1.994	4.804	6.735	ADJ	800001*			918001	918002	912005	912006	913002	914002	915137	916002	917059	9002011	528-142	528-148	
CAT	D4D	w/ 9/16 BOLT	SEALED	1.314	7.000	1.994	4.804	6.735	ADJ	800005*	910104	910204	918001	918002	912005	912006	913002	914002	915137	916002	917059	9002011	528-150		
CAT	D4D	w/ 9/16 BOLT	SEALED	1.314	7.000	2.119	4.804	6.735	ADJ	800005*	910104	910204	918001	918002	912005	912006	913002	914002	915138	916011	917059	9002011	528-150		
CAT	D4E		SALT	1.314	7.220	2.119	4.437	6.735	ADJ	800005*	910116	910216	910304	918001	918002	912005	912006	913027	914062	915052	916156	917059		528-150	
CAT	D4G		SALT	1.126	6.161	1.850	3.706	6.125	ADJ	800005*			918001	918002	912005	912006	913034	914069	915082	916115	917059		528-142		
CAT	D4G		SEALED	1.129	6.156	1.850	4.222	6.125	ADJ	800005*			918001	918002	912005	912006	913004	914004	915004	916004	917059	900200	528-142		
CAT	D4H	LGP	PPR	1.315	7.287	2.205	4.437	6.735	ADJ	800005*			918001	918002	912005	912006	913020	914064	915247	916156					
CAT	D4H		SALT	1.315	7.220	2.205	4.437	6.735	ADJ	800005*			918001	918002	912005	912006	913031	914002	915124	916137					
CAT	D4H	HD	SALT	1.418	8.445	2.366	4.670	6.735	ADJ	800005*	910116	910216	910304	918001	918002	912005	912006	913054	914126	915145	916205	917059	9002011	528-150	
CAT	D4H		SALT	1.318	7.535	2.228	4.437	6.735	ADJ	800005*	910116	910216	910304	918001	918002	912005	912006	913054	914062	915149	916203	917059		528-150	528-146
CAT	D4H	TSK CUS SKD	SALT	1.318	7.535	2.228	4.437	6.735	ADJ	800005*	910116	910216	910304	918001	918002	912005	912006	913054	914062	915149	916203	917059		528-150	528-146
CAT	D4K		SALT	1.126	6.161	1.850	3.706	6.125	ADJ	800005*			918001	918002	912005	912006	913034	914069	915082	916115	917059		528-142		
CAT	D4K2		SALT	1.130	6.144	1.847	3.705	6.250	ADJ	800005*			918001	918002	912005	912006	913034	914069	915065	916355	917059		528-142		
CAT	D5	PRO	SALT	1.442	8.120	2.312	5.214	6.906	ADJ	800001*	910119	910219		918001	918002	912005	912006	913008	914070	915052	916074	917059		528-142	528-147
CAT	D5		SALT	1.442	8.120	2.312	5.210	6.906	ADJ	800001*	910103	910203		918001	918002	912005	912006	913008	914070	915052	916074	917059		528-142	
CAT	D5		SEALED	1.442	8.125	2.312	5.704	6.906	ADJ	800001*	910103	910203		918001	918002	912005	912006	913008	914009	915009	916009	917059	900248	528-142	
CAT	D5B		SALT	1.442	8.120	2.312	5.210	6.906	ADJ	800001*	910103	910203		918001	918002	912005	912006	913008	914070	915052	916074	917059		528-142	
CAT	D5B		SEALED	1.442	8.125	2.312	5.704	6.906	ADJ	800001*	910103	910203		918001	918002	912005	912006	913008	914009	915009	916009	917059	900248	528-142	
CAT	D5C		SALT	1.318	7.535	2.228	4.437	6.735	ADJ	800005*	910116	910216	910304	918001	918002	912005	912006	913054	914062	915149	916203	917059		528-150	528-146
CAT	D5G		SALT	1.318	7.535	2.228	4.437	6.735	ADJ	800005*	910116	910216	910304	918001	918002	912005	912006	913054	914062	915149	916203	917059		528-150	528-146
CAT	D5G	XL	SALT	1.318	7.535	2.228	4.437	6.735	ADJ	800005*	910116	910216	910304	918001	918002	912005	912006	913054	914062	915149	916203	917059		528-150	528-146
CAT	D5H		SALT	1.443	8.122	2.413	5.214	7.480	ADJ	800001*	910119	910219		918001	918002	912005	912006	913008	914070	915052	916074	917059		528-150	528-147
CAT	D5H	TSK CUS SKD	SALT	1.443	8.183	2.413	5.214	7.480	ADJ	800001*	910119	910219		918001	918002	912005	912006	913008	914070	915052	916074	917059		528-150	528-147
CAT	D5H	HD	SALT	1.495	9.392	2.495	5.684	7.480	ADJ	800001*				918001	918002	912001	912002	913019	914124	915145	916201				
CAT	D5K		SALT	1.318	7.535	2.228	4.437	6.735	ADJ	800005*	910116	910216	910304	918001	918002	912005	912006	913054	914062	915149	916203	917059		528-150	528-146
CAT	D5M		SALT	1.418	8.445	2.366	4.670	6.735	ADJ	800005*				918001	918002	912005	912006	913054	914126	915145	916205				
CAT	D5N		SALT	1.418	8.445	2.366	4.670	6.735	ADJ	800005*				918001	918002	912005	912006	913054	914126	915145	916205				
CAT	D6		RECESS	1.442	8.125	2.118	5.935	6.735	ADJ	800005*				918003	918004	912003	912004	913032	914097	915014	916018				



WTC Machinery Corporation
91 Series Track Tooling Chart

Make	Model	Comments	Type	Pin Dia.	Pin Length	Bushing Dia.	Bushing Length	Pitch	Jaw Type	Jaw (*qty 2)	Side Plates (2)	Shims(4) Unless Specified	RH Tool Bar	LH Tool Bar	Tool Holder ADJ (2)	Tool Holder Stat (2)	Pin Dissy (2)	Bushing Dissy (2)	Pin Assembly (2)	Bushing Assembly (2)	Shim Group	M.B.A. (2)	Plate for WS-310 (1)	Shim for WS-310 (2)	
CAT	D6		SALT	1.752	9.060	2.621	5.783	7.985	8-HOLE	910025			918003	918004	912003	912004	913063	914012	915205	916006					
CAT	D6		SALT	1.753	9.060	2.750	5.780	7.985	8-HOLE	910025	910114	910214	910314	918003	918004	912003	912004	913013	914015	915081	916155	917060		528-150	
CAT	D6		SEALED	1.442	8.125	2.118	5.704	6.735	ADJ	800001*				918001	918002	912005	912006	913008	914009	915009	916009	917059	900237	528-142	528-146
CAT	D6B		SEALED	1.442	8.125	2.118	5.704	6.735	ADJ	800001*				918001	918002	912005	912006	913008	914009	915009	916009	917059	900237	528-142	528-146
CAT	D6C		SALT	1.753	9.060	2.621	5.783	7.980	8-HOLE	910025	910114	910214	910314	918003	918004	912003	912004	913013	914015	915003	916016	917060		528-150	
CAT	D6C		SEALED	1.752	9.060	2.621	6.356	7.984	8-HOLE	910025	910114	910214	910314	918003	918004	912003	912004	913003	914003	915003	916003	917060	900234	528-150	528-144
CAT	D6D		SALT	1.753	9.060	2.621	5.783	7.980	8-HOLE	910025	910114	910214	910314	918003	918004	912003	912004	913013	914015	915003	916016	917060		528-150	
CAT	D6D		SEALED	1.752	9.060	2.621	6.356	7.984	8-HOLE	910025	910114	910214	910314	918003	918004	912003	912004	913003	914003	915003	916003	917060	900234	528-150	528-144
CAT	D6E		SALT	1.753	9.060	2.621	5.783	7.980	8-HOLE	910025	910114	910214	910314	918003	918004	912003	912004	913013	914015	915003	916016	917060		528-150	
CAT	D6H	LGP	PPR	1.753	9.150	2.746	5.783	7.985	8-HOLE	910025	910114	910214	910314	918003	918004	912003	912004	913005	914015	915143	916155	917060		528-150	
CAT	D6H	LGP	SALT	1.753	9.060	2.750	5.780	7.985	8-HOLE	910025	910114	910214	910314	918003	918004	912003	912004	913013	914015	915081	916155	917060		528-150	
CAT	D6H		SALT	1.753	9.060	2.750	5.780	7.985	8-HOLE	910025	910114	910214	910314	918003	918004	912003	912004	913013	914015	915081	916155	917060		528-150	
CAT	D6H	HD	SALT	1.753	10.315	2.864	6.334	8.000	8-HOLE	910025	910114	910214		918003	918004	912003	912004	913005	914015	915143	916155	917060		528-150	
CAT	D6K2		SALT	1.495	9.392	2.495	5.684	7.480	ADJ	800001*	910119	910219		918001	918002	912001	912002	913019	914124	915145	916201	917059		528-150	528-147
CAT	D6M		SALT	1.495	9.392	2.495	5.684	7.480	ADJ	800001*	910119	910219		918001	918002	912001	912002	913019	914124	915145	916201	917059		528-150	528-147
CAT	D6N		SALT	1.495	9.392	2.495	5.684	7.480	ADJ	800001*				918001	918002	912001	912002	913019	914124	915145	916201	917059		528-150	528-147
CAT	D6M	PPR2	SALT	1.496	8.946	2.496	5.685	7.480	ADJ	800001*				918001	918002	912001	912002	913019	914042	915335	916359	917059		528-150	528-147
CAT	D6N	PPR2	SALT	1.496	8.946	2.496	5.685	7.480	ADJ	800001*				918001	918002	912001	912002	913019	914042	915335	916359	917059		528-150	528-147
CAT	D6R		SALT	1.753	10.315	2.864	6.334	8.000	8-HOLE	910025	910114	910214	910314	918003	918004	912003	912004	913013	914015	915143	916155	917060		528-150	
CAT	D6T		SALT	1.753	10.315	2.864	6.334	8.000	8-HOLE	910025	910114	910214	910314	918003	918004	912003	912004	913013	914015	915143	916155	917060		528-150	
CAT	D6T	PPR2	SALT	1.753	10.315	2.770	6.334	7.984	8-HOLE	910025				918003	918004	912003	912004	913013	914188	915337	916155	917060		528-150	
CAT	D6 / XE	HDXL	PPR2	1.732	9.882	2.769	6.333	8.000	8-HOLE	910025	910114	910214	910314	918003	918004	912003	912004	913012	914182	915326	916360	917060			
CAT	D7		RECESS	1.752	9.875	2.621	7.126	7.985	8-HOLE	910025				918003	918004	912003	912004	913005	914012	915012	916012			528-143	528-144
CAT	D7		SALT	1.877	9.880	2.812	6.409	8.500	8-HOLE	910024	910108	910208	910308	918003	918004	912003	912004	913005	914006	915006	916006	917060	900234	528-150	528-144
CAT	D7		SEALED	1.752	9.875	2.621	6.865	7.984	8-HOLE	910025	910114	910214	910314(16)	918003	918004	912003	912004	913012	914012	915012	916015	917060	900234	528-150	528-144
CAT	D7C		SEALED	1.752	9.875	2.621	6.865	7.984	8-HOLE	910025	910114	910214	910314(16)	918003	918004	912003	912004	913012	914012	915012	916015	917060			
CAT	D7D		RECESS	1.752	9.875	2.621	7.126	7.985	8-HOLE	910025				918003	918004	912003	912004	913005	914012	915012	916012		900234	528-150	528-144
CAT	D7D		SEALED	1.752	9.875	2.621	6.865	7.984	8-HOLE	910025	910114	910214	910314(16)	918003	918004	912003	912004	913012	914012	915012	916015	917060		528-143	528-144
CAT	D7E	1970's Non Electric	SALT	1.877	9.880	2.812	6.409	8.500	8-HOLE	910024	910108	910208	910308	918003	918004	912003	912004	913005	914006	915006	916006	917060			
CAT	D7E	Electric Drive (After 2006)	SALT	1.878	10.885	3.090	6.800	8.500	8-HOLE	910024	910112	910212		918003	918004	912003	912004	913005	914127	915150	916354	917060	900227	528-143	528-147
CAT	D7E		SEALED	1.877	9.880	2.812	6.963	8.500	8-HOLE	910024	910108	910208	910308	918003	918004	912003	912004	913005	914013	915012	916013	917060		528-143	528-144
CAT	D7F		SALT	1.877	9.880	2.812	6.409	8.500	8-HOLE	910024	910108	910208	910308	918003	918004	912003	912004	913005	914006	915006	916006	917060	900227	528-143	528-147
CAT	D7F		SEALED	1.877	9.880	2.812	6.963	8.500	8-HOLE	910024	910108	910208	910308	918003	918004	912003	912004	913005	914013	915012	916013	917060		528-143	528-144
CAT	D7G		SALT	1.877	9.880	2.812	6.409	8.500	8-HOLE	910024	910108	910208	910308	918003	918004	912003	912004	913005	914006	915006	916006	917060		528-143	528-144
CAT	D7G	LGP	SALT	1.877	9.880	2.812	6.409	8.500	8-HOLE	910024	910108	910208	910308	918003	918004	912003	912004	913005	914006	915006	916006	917060	900227	528-143	528-147
CAT	D7G		SEALED	1.877	9.880	2.812	6.963	8.500	8-HOLE	910024	910108	910208	910308	918003	918004	912003	912004	913005	914013	915012	916013	917060			
CAT	D7H	LGP	PPR	1.878	9.925	2.937	6.405	8.500	8-HOLE	910024				918003	918004	912003	912004	913011	914001	915007	916206			528-143	528-144
CAT	D7H		SALT	1.878	9.880	2.937	6.405	8.500	8-HOLE	910024	910112	910212	910312	918003	918004	912003	912004	913005	914006	915103	916132	917060			
CAT	D7H	HD	SALT	1.878	10.875	3.085	6.813	8.500	8-HOLE	910024				918003	918004	912003	912004	913005	914127	915150	916206			528-143	528-144
CAT	D7R		SALT	1.878	10.875	3.085	6.813	8.500	8-HOLE	910024	910112	910212		918003	918004	912003	912004	913005	914127	915150	916206	917060			
CAT	D7E / H / R	HDXL	PPR2	1.879	10.420	3.091	6.800	8.500	8-HOLE	910024	910112	910212		918003	918004	912003	912004	913005	914183	915327	916361	917060			
CAT	D8		RECESS	1.752	11.438	2.621	8.180	7.948	8-HOLE	910024				918003	918004	912003	912004	913013	914015	915206	916262				
CAT	D8		SALT	2.002	11.438	2.996	7.355	9.000	8-HOLE	910016				918003	918004	912003	912004	913006	914007	915007	916007				



WTC Machinery Corporation
91 Series Track Tooling Chart

Make	Model	Comments	Type	Pin Dia.	Pin Length	Bushing Dia.	Bushing Length	Pitch	Jaw Type	Jaw (*qty 2)	Side Plates (2)	Shims(4) Unless Specified	RH Tool Bar	LH Tool Bar	Tool Holder ADJ (2)	Tool Holder Stat (2)	Pin Dissy (2)	Bushing Dissy (2)	Pin Assembly (2)	Bushing Assembly (2)	Shim Group	M.B.A. (2)	Plate for WS-310 (1)	Shim for WS-310 (2)	
CAT	D8	TREK TRACK	SALT	1.880	9.880	2.940	6.500	8.500	8-HOLE	910024			918003	918004	912003	912004	913005	914006	915006	916299		900203	528-150	528-144	
CAT	D8		SEALED	1.752	11.438	2.621	7.928	7.985	8-HOLE	910025	910114	910214	910314(16)	918003	918004	912003	912004	913011	914011	915013	916014	917060	900203	528-150	528-144
CAT	D8D		SEALED	1.752	11.438	2.621	7.928	7.985	8-HOLE	910025	910114	910214	910314(16)	918003	918004	912003	912004	913011	914011	915013	916014	917060	900203	528-150	528-144
CAT	D8E		SEALED	1.752	11.438	2.621	7.928	7.985	8-HOLE	910025	910114	910214	910314(16)	918003	918004	912003	912004	913011	914011	915013	916014	917060	900203	528-150	528-144
CAT	D8F		SEALED	1.752	11.438	2.621	7.928	7.985	8-HOLE	910025	910114	910214	910314(16)	918003	918004	912003	912004	913011	914011	915013	916014	917060	900203	528-150	528-144
CAT	D8G		SEALED	1.752	11.438	2.621	7.928	7.985	8-HOLE	910025	910114	910214	910314(16)	918003	918004	912003	912004	913011	914011	915013	916014	917060		528-143	528-145
CAT	D8H		SALT	2.002	11.438	2.996	7.355	9.000	8-HOLE	910016	910108	910208	910308(8)	918003	918004	912003	912004	913006	914007	915007	916007	917060	900236	528-143	528-147
CAT	D8H		SEALED	2.003	11.438	2.996	7.941	9.000	8-HOLE	910016	910108	910208	910308	918003	918004	912003	912004	913001	914001	915001	916001	917060		528-143	528-145
CAT	D8K		SALT	2.002	11.438	2.996	7.355	9.000	8-HOLE	910016	910108	910208	910308(8)	918003	918004	912003	912004	913006	914007	915007	916007	917060	900236	528-143	528-147
CAT	D8K		SEALED	2.003	11.438	2.996	7.941	9.000	8-HOLE	910016	910108	910208	910308	918003	918004	912003	912004	913001	914001	915001	916001	917060		528-143	
CAT	D8L		SALT	1.880	9.880	2.940	6.410	8.500	8-HOLE	910024	910112	910212	910312	918003	918004	912003	912004	913005	914006	915006	916132	917060		528-143	
CAT	D8N		PPR	1.878	9.650	2.937	6.405	8.500	8-HOLE	910024	910112	910212	910312	918003	918004	912003	912004	913006	914010	915207	916303	917060		528-143	
CAT	D8N		SALT	1.880	9.880	2.940	6.410	8.500	8-HOLE	910024	910112	910212	910312	918003	918004	912003	912004	913005	914006	915006	916132	917060		528-143	
CAT	D8R		PPR	1.878	9.650	2.937	6.405	8.500	8-HOLE	910024	910112	910212	910312	918003	918004	912003	912004	913006	914010	915207	916303	917060		528-143	
CAT	D8R		SALT	1.880	9.880	2.940	6.410	8.500	8-HOLE	910024	910112	910212	910312	918003	918004	912003	912004	913005	914006	915006	916132	917060		528-143	
CAT	D8T		PPR	1.878	9.650	2.937	6.405	8.500	8-HOLE	910024	910112	910212	910312	918003	918004	912003	912004	913006	914010	915207	916303	917060			
CAT	D8T		SALT	1.880	9.880	2.940	6.410	8.500	8-HOLE	910024				918003	918004	912003	912004	913005	914006	915006	916132			528-150	
CAT	D8XL			1.878	9.650	2.937	6.405	8.500	8-HOLE	910065				918003	918004	912003	912004	913006	914010	915207	916303	917060		528-143	
CAT	D8 HD XL	Links 502-6149 / 6150		1.878	9.650	3.307	6.405	8.592	8-HOLE	910069				918003	918004	912003	912004	913006	914010	915207	916303	917060		528-150	528-145
CAT	D9		SALT	2.252	12.250	3.371	8.270	10.250	8-HOLE	910042	910120	910220		918003	918004	912003	912004	913007	914008	915008	916008	917060			
CAT	D9		SEALED	2.002	12.000	2.869	8.442	9.000	8-HOLE	910016				918003	918004	912003	912004	913064	914103	915208	916264		900238	528-150	528-147
CAT	D9D		SEALED	2.252	12.250	3.371	8.856	10.250	8-HOLE	910042	910120	910220		918003	918004	912003	91204	913007	914005	915005	916005	917060	900238	528-150	528-147
CAT	D9E		SEALED	2.252	12.250	3.371	8.856	10.250	8-HOLE	910042	910120	910220		918003	918004	912003	91204	913007	914005	915005	916005	917060		528-150	528-145
CAT	D9G		SALT	2.252	12.250	3.371	8.270	10.250	8-HOLE	910042	910120	910220		918003	918004	912003	912004	913007	914008	915008	916008	917060	900238	528-150	528-147
CAT	D9G		SEALED	2.252	12.250	3.371	8.856	10.250	8-HOLE	910042	910120	910220		918003	918004	912003	91204	913007	914005	915005	916005	917060		528-150	528-145
CAT	D9H		SALT	2.252	12.250	3.371	8.270	10.250	8-HOLE	910042	910120	910220		918003	918004	912003	912004	913007	914008	915008	916008	917060	900238	528-150	528-147
CAT	D9H		SEALED	2.252	12.250	3.371	8.856	10.250	8-HOLE	910042	910120	910220		918003	918004	912003	91204	913007	914005	915005	916005	917060		528-143	
CAT	D9L		PPR	2.000	10.770	3.230	7.350	9.000	8-HOLE	910016	910110	910210		918003	918004	912003	912004	913006	914010	915064	916131	917060		528-143	
CAT	D9L		SALT	2.000	11.437	3.220	7.355	9.000	8-HOLE	910016	910110	910210		918003	918004	912003	912004	913006	914007	915093	916131	917060		528-143	
CAT	D9N		PPR	2.000	10.440	3.136	7.260	9.449	8-HOLE	910014				918003	918004	912003	912004	913006	914048	915253	916154	917060		528-143	528-146
CAT	D9N		SALT	2.003	10.980	3.163	7.260	9.450	8-HOLE	910014				918003	918004	912003	912004	913006	914001	915092	916154	917060		528-143	
CAT	D9R		PPR	2.000	10.440	3.136	7.260	9.449	8-HOLE	910014				918003	918004	912003	912004	913006	914048	915253	916154	917060		528-143	528-146
CAT	D9R		SALT	2.003	10.980	3.163	7.260	9.450	8-HOLE	910014				918003	918004	912003	912004	913006	914001	915092	916154	917060		528-143	
CAT	D9T		PPR	2.000	10.440	3.136	7.260	9.449	8-HOLE	910014				918003	918004	912003	912004	913006	914048	915253	916154	917060		528-143	528-146
CAT	D9T		SALT	2.003	10.980	3.163	7.260	9.450	8-HOLE	910014				918003	918004	912003	912004	913006	914001	915092	916154	917060		528-143	
CAT	D9T	Berco BPR2 (CR7611)	SALT	2.000	11.260	3.150	7.256	9.449	8-HOLE	910014				918003	918004	912003	912004	913006	914177	915253	916353	917060		528-150	
CAT	D10		PPR	2.252	11.974	3.809	8.270	10.250	8-HOLE	910042	910141	910241		918003	918004	912003	912004	913007	914093	915240	916283	917060		528-150	
CAT	D10		SALT	2.253	12.250	3.809	8.270	10.250	8-HOLE	910042	910141	910241		918003	918004	912003	912004	913048	914109	915063	916157	917060		528-150	
CAT	D10N		PPR	2.253	11.970	3.557	8.280	10.250	8-HOLE	910042	910141	910241		918003	918004	912003	912004	913007	914093	915246	916157	917060		528-150	
CAT	D10N		SALT	2.253	12.250	3.557	8.280	10.250	8-HOLE	910042	910141	910241		918003	918004	912003	912004	913048	914109	915104	916158	917060		528-150	
CAT	D10R		PPR	2.253	11.970	3.557	8.280	10.250	8-HOLE	910042	910141	910241		918003	918004	912003	912004	913007	914093	915246	916157	917060		528-150	
CAT	D10R		SALT	2.253	12.250	3.557	8.280	10.250	8-HOLE	910042	910141	910241		918003	918004	912003	912004	913048	914109	915104	916158	917060			
CAT	D10T		SALT	2.253	12.250	3.557	8.280	10.250	8-HOLE	910042	910141	910241		918003	918004	912003	912004	913048	914109	915104	916158			FINNING (CANADA)	SEE IF 9500 TOOLING!



**WTC Machinery Corporation
91 Series Track Tooling Chart**

Make	Model	Comments	Type	Pin Dia.	Pin Length	Bushing Dia.	Bushing Length	Pitch	Jaw Type	Jaw (*qty 2)	Side Plates (2)	Shims(4) Unless Specified	RH Tool Bar	LH Tool Bar	Tool Holder ADJ (2)	Tool Holder Stat (2)	Pin Dissy (2)	Bushing Dissy (2)	Pin Assembly (2)	Bushing Assembly (2)	Shim Group	M.B.A. (2)	Plate for WS-310 (1)	Shim for WS-310 (2)	
CAT	D11		SALT	2.626	13.810	4.633	9.340	12.500	8-HOLE	910033			918006	918006	Not Req	Not Req	913065	914141	915202	916261			FINNING (CANADA)	SEE IF 9500 TOOLING!	
CAT	D11N		PPR	2.626	13.812	4.330	9.343	12.500	8-HOLE	910033			918006	918006	Not Req	Not Req	913092	914114	915203	916298		9002004	528-142	528-148	
CAT	E110B		SEALED	1.319	7.008	1.984	4.750	6.750	ADJ	800001*			918001	918002	912005	912006	913002	914002	915059	916181	917059	9002004	528-142	528-148	
CAT	E120B		SEALED	1.319	7.008	1.984	4.750	6.750	ADJ	800001*			918001	918002	912005	912006	913002	914002	915059	916181	917059		528-142		
CAT	E180		SEALED	1.439	8.126	2.310	5.996	6.906	ADJ	800001*	910119	910219	918001	918002	912005	912006	913019	914029	915128	9160040	917059		528-142		
CAT	E200B		SEALED	1.445	8.150	2.311	5.704	7.500	ADJ	800001*			918001	918002	912005	912006	913033	914113	915133	916191	917059		528-142		
CAT	E240		SEALED	1.445	8.150	2.311	5.704	7.500	ADJ	800001*			918001	918002	912005	912006	913033	914113	915133	916191	917059	9002022	528-150	528-144	
CAT	E300B		SEALED	1.750	9.646	2.624	6.680	8.000	8-HOLE	910025	910114	910214	910314	918003	918004	912003	912004	913017	914014	915121	916179	917060	9002003	528-143	528-147
CAT	E450		UNSEALED	1.873	10.000	2.809	7.280	8.500	8-HOLE	910024	910108	910208	910308	918003	918004	912003	91204	913024	914013	915038	916180	917060	9002005	528-142	528-146
CAT	E70		SEALED	0.945	5.512	1.614	3.638	5.315	ADJ	910013*			918001	918002	912005	912006	913037	914084	915129	916182	917059		528-142		
CAT	EL180		SEALED	1.439	8.126	2.310	5.996	6.906	ADJ	800001*	910119	910219	918001	918002	912005	912006	913019	914029	915128	9160040	917059		528-142		
CAT	EL200B		SEALED	1.445	8.150	2.311	5.704	7.500	ADJ	800001*			918001	918002	912005	912006	913033	914113	915133	916191	917059		528-142		
CAT	EL240		SEALED	1.445	8.150	2.311	5.704	7.500	ADJ	800001*			918001	918002	912005	912006	913033	914113	915133	916191	917059		528-150	528-144	
CAT	EL300A		SEALED	1.750	9.646	2.624	6.882	8.000	8-HOLE	910025	910114	910214	910314	918003	918004	912003	912004	913017	914018	915121	916178	917060	9002022	528-150	528-144
CAT	EL300B		SEALED	1.750	9.646	2.624	6.680	8.000	8-HOLE	910025	910114	910214	910314	918003	918004	912003	912004	913017	914014	915121	916179	917060			
CAT	EL300B		SEALED	1.750	9.646	2.624	6.882	8.000	8-HOLE	910025			918003	918004	912003	912004	913005	914012	915038	916072		900234	528-150	528-144	
CAT	FB227		SEALED	1.752	9.060	2.621	6.356	7.984	8-HOLE	910025	910114	910214	910314	918003	918004	912003	912004	913003	914003	915003	916003	917060		528-142	
CAT	MHI 180-8		SEALED	1.439	8.126	2.310	5.996	6.906	ADJ	800001*	910119	910219	918001	918002	912005	912006	913019	914029	915128	9160040	917059		528-142		
CAT	MHI 180-8LC		SEALED	1.439	8.126	2.310	5.996	6.906	ADJ	800001*	910119	910219	918001	918002	912005	912006	913019	914029	915128	9160040	917059		528-150	528-144	
CAT	MHI 300LC-8		SEALED	1.750	9.646	2.624	6.882	8.000	8-HOLE	910025	910114	910214	910314	918003	918004	912003	912004	913017	914018	915121	916178	917060	900200	528-142	
CAT	PR450		SEALED	1.129	6.156	1.850	4.222	6.125	ADJ	800005*			918001	918002	912005	912006	913004	914004	915004	916004	917059				
CAT	R2-15-22		RECESS	1.127	6.156	1.687	4.250	6.125	ADJ	800005*			918001	918002	912005	912006	913067	914143	916040	916067					
CAT	R4		RECESS	1.314	7.000	1.993	5.000	6.735	ADJ	800005*			918001	918002	912005	912006	913010	914016	915011	916017		900200	528-142		
CAT	SF350		SEALED	1.129	6.156	1.850	4.222	6.125	ADJ	800005*			918001	918002	912005	912006	913004	914004	915004	916004	917059	900200	528-142		
CAT	TR225		SEALED	1.129	6.156	1.850	4.222	6.125	ADJ	800005*			918001	918002	912005	912006	913004	914004	915004	916004	917059	900216	528-150	528-145	
DRESR	150		SEALED	1.375	6.690	2.053	4.908	6.490	ADJ	800005*	910104	910204	918001	918002	912005	912006	913029	914059	915048	916146	917059	900212	528-142		
DRESR	175		SEALED	1.625	7.870	2.364	5.780	6.992	ADJ	800001*	910103	910203	918001	918002	912005	912006	913028	914054	915041	916059	917059		528-142	528-148	
DRESR	500		RECESSED	1.125	5.360	1.656	3.800	6.000	ADJ	800005*			918001	918002	912005	912006	913031	914067	915044	916060	917059	900217	528-142		
DRESR	100B		SEALED	1.250	5.970	1.800	3.970	6.000	ADJ	800005*	910104	910204	918001	918002	912005	912006	913027	914068	915034	916066	917059	900217	528-142		
DRESR	100C		SEALED	1.250	6.500	1.806	4.535	5.998	ADJ	800005*	910104	910204	918001	918002	912005	912006	913002	914069	915040	916067	917059	900217	528-142		
DRESR	100E		SEALED	1.250	6.500	1.800	4.533	5.990	ADJ	800005*	910104	910204	918001	918002	912005	912006	913002	914069	915100	916067	917059		528-150	528-144	
DRESR	100G		SALT	1.312	6.690	2.115	4.187	6.490	ADJ	800005*	910104	910204	918001	918002	912005	912006	913020	914034	915133	916101	917059	900216	528-150	528-145	
DRESR	125C		SEALED	1.375	6.690	2.053	4.908	6.490	ADJ	800005*	910104	910204	918001	918002	912005	912006	913029	914059	915048	916146	917059	900216	528-150	528-145	
DRESR	125E		SEALED	1.375	6.690	2.053	4.908	6.490	ADJ	800005*	910104	910204	918001	918002	912005	912006	913029	914059	915048	916146	917059				
DRESR	125G		DRY	1.312	6.690	2.115	4.760	6.490	ADJ	800005*			918001	918002	912005	912006	913030	914064	915213	916194			528-150	528-144	
DRESR	125G		SALT	1.312	6.690	2.115	4.187	6.490	ADJ	800005*	910104	910204	918001	918002	912005	912006	913020	914034	915133	916101	917059		528-150	528-144	
DRESR	125G		SEALED	1.312	6.690	2.115	4.760	6.490	ADJ	800005*	910104	910204	918001	918002	912005	912006	913020	914097	915040	916068	917059	900212	528-142		
DRESR	175B		SEALED	1.625	7.870	2.364	5.780	6.992	ADJ	800001*	910103	910203	918001	918002	912005	912006	913028	914054	915041	916059	917059	900240	528-150	528-144	
DRESR	175B		SEALED	1.750	8.810	2.614	6.410	7.500	ADJ	800001*	910103	910203	918001	918002	912001	912002	913011	914053	915036	916069	917059	900240	528-150	528-144	
DRESR	175C		SEALED	1.750	8.810	2.614	6.410	7.500	ADJ	800001*	910103	910203	918001	918002	912001	912002	913011	914053	915036	916069	917059	900240	528-150	528-144	
DRESR	250B		SEALED	1.750	9.310	2.614	6.100	7.500	ADJ	800001*	910103	910203	910303	918001	918002	912001	912002	913028	914051	915036	916069	917059	900240	528-150	528-144
DRESR	250C		SEALED	1.750	9.310	2.614	6.100	7.500	ADJ	800001*	910103	910203	910303	918001	918002	912001	912002	913028	914051	915036	916069	917059			
DRESR	500E		DRY	1.125	5.300	1.675	3.730	5.990	ADJ	800005*			918001	918002	912005	912006	913070	914143	915209	916265			528-150	528-144	



WTC Machinery Corporation
91 Series Track Tooling Chart

Make	Model	Comments	Type	Pin Dia.	Pin Length	Bushing Dia.	Bushing Length	Pitch	Jaw Type	Jaw (*qty 2)	Side Plates (2)	Shims(4) Unless Specified	RH Tool Bar	LH Tool Bar	Tool Holder ADJ (2)	Tool Holder Stat (2)	Pin Dissy (2)	Bushing Dissy (2)	Pin Assembly (2)	Bushing Assembly (2)	Shim Group	M.B.A. (2)	Plate for WS-310 (1)	Shim for WS-310 (2)	
DRESR	D32		SALT	1.312	6.690	2.115	4.187	6.490	ADJ	800005*	910104	910204		918001	918002	912005	912006	913020	914034	915133	916101	917059		528-150	528-144
DRESR	D32E		SALT	1.312	6.690	2.115	4.187	6.490	ADJ	800005*	910104	910204		918001	918002	912005	912006	913020	914034	915133	916101	917059	900217	528-142	
DRESR	D32E		SEALED	1.250	6.500	1.806	4.535	5.998	ADJ	800005*	910104	910204		918001	918002	912005	912006	913002	914069	915040	916067	917059	900217	528-142	
DRESR	D32P		SEALED	1.250	6.500	1.806	4.535	5.998	ADJ	800005*	910104	910204		918001	918002	912005	912006	913002	914069	915040	916067	917059		528-150	528-144
DRESR	D32-P1		SALT	1.312	6.690	2.115	4.187	6.490	ADJ	800005*	910104	910204		918001	918002	912005	912006	913020	914034	915133	916101	917059		528-150	528-144
DRESR	D38E		SALT	1.312	6.690	2.115	4.187	6.490	ADJ	800005*	910104	910204		918001	918002	912005	912006	913020	914034	915133	916101	917059		528-150	528-144
DRESR	D38P-1		SALT	1.312	6.690	2.115	4.187	6.490	ADJ	800005*	910104	910204		918001	918002	912005	912006	913020	914034	915133	916101	917059		528-150	528-144
DRESR	D38P-1		SALT	1.312	6.690	2.115	4.187	6.490	ADJ	800005*	910104	910204		918001	918002	912005	912006	913020	914034	915133	916101	917059		528-150	528-144
DRESR	D39		SALT	1.312	6.690	2.115	4.187	6.490	ADJ	800005*	910104	910204		918001	918002	912005	912006	913020	914034	915133	916101	917059		528-150	528-144
DRESR	D39E		SALT	1.312	6.690	2.115	4.187	6.490	ADJ	800005*	910104	910204		918001	918002	912005	912006	913020	914034	915133	916101	917059		528-143	528-146
DRESR	D87E-2		SALT	1.874	10.430	2.866	6.704	8.500	8-HOLE	910024	910108	910208	910308(8)	918003	918004	912003	912004	913022	914050	915077	916152	917060		528-143	528-146
DRESR	D87P		SALT	1.874	10.430	2.866	6.704	8.500	8-HOLE	910024	910108	910208	910308(8)	918003	918004	912003	912004	913022	914050	915077	916152	917060		528-142	528-148
DRESR	T340		FLUSH	1.010	4.750	1.470	3.220	6.000	ADJ	800005*				918001	918002	912005	912006	913030	914065	915028	916058	917059		528-142	528-148
DRESR	T5		FLUSH	1.010	4.750	1.470	3.220	6.000	ADJ	800005*				918001	918002	912005	912006	913030	914065	915028	916058	917059	900217	528-142	
DRESR	T6		SEALED	1.250	5.970	1.800	3.970	6.000	ADJ	800005*	910104	910204		918001	918002	912005	912006	913027	914068	915034	916066	917059	900217	528-142	
DRESR	T7		SEALED	1.250	6.500	1.806	4.535	5.998	ADJ	800005*	910104	910204		918001	918002	912005	912006	913002	914069	915040	916067	917059		528-142	
DRESR	TD12		SALT	1.500	8.030	2.366	5.073	7.490	ADJ	800001*	910103	910203	910303	918001	918002	912001	912002	913019	914113	915095	916137	917059		528-142	
DRESR	TD12		SEALED	1.750	8.030	2.366	5.710	7.490	ADJ	800001*	910103	910203	910303	918001	918002	912001	912002	913019	914112	915095	916136	917059			
DRESR	TD12A		DRY	1.500	8.030	2.366	5.706	7.490	ADJ	800001*				918001	918002	912005	912006	913002	914009	915210	916150				
DRESR	TD12B		DRY	1.500	8.030	2.366	5.706	7.490	ADJ	800001*				918001	918002	912005	912006	913002	914009	915210	916150				
DRESR	TD12C		DRY	1.625	8.810	2.614	6.485	7.490	ADJ	800001*				918001	918002	912005	912006	913071	914052	915211	916044				
DRESR	TD12C-XP		SEALED	1.629	8.820	2.614	5.573	7.490	ADJ	800001*				918001	918002	912005	912006	913033	914018	915083	916132		900212	528-142	
DRESR	TD14		SEALED	1.625	7.870	2.364	5.780	6.992	ADJ	800001*	910103	910203		918001	918002	912005	912006	913028	914054	915041	916059	917059	900212	528-142	
DRESR	TD15		SEALED	1.625	7.870	2.364	5.780	6.992	ADJ	800001*	910103	910203		918001	918002	912005	912006	913028	914054	915041	916059	917059	900212	528-142	
DRESR	TD15B		SEALED	1.625	7.870	2.364	5.780	6.992	ADJ	800001*	910103	910203		918001	918002	912005	912006	913028	914054	915041	916059	917059	900240	528-150	528-144
DRESR	TD15B		SEALED	1.750	8.810	2.614	6.410	7.500	ADJ	800001*	910103	910203		918001	918002	912001	912002	913011	914053	915036	916069	917059			
DRESR	TD15C	SPLIT	DRY	1.625	8.810	2.614	6.485	7.490	ADJ	800001*				918001	918002	912005	912006	913071	914052	915211	916044			528-150	528-144
DRESR	TD15C		SALT	1.625	8.810	2.614	5.570	7.490	ADJ	800001*	910103	910203		918001	918002	912001	912002	913011	914018	915021	916150	917059		528-150	528-144
DRESR	TD15C	LGP	SALT	1.625	8.810	2.614	5.570	7.490	ADJ	800001*	910103	910203		918001	918002	912001	912002	913011	914018	915021	916150	917059	900240	528-150	528-144
DRESR	TD15C		SEALED	1.750	8.810	2.614	6.410	7.500	ADJ	800001*	910103	910203		918001	918002	912001	912002	913011	914053	915036	916069	917059		528-150	528-144
DRESR	TD15C	SPLIT	SEALED	1.625	8.810	2.614	6.485	7.490	ADJ	800001*	910103	910203		918001	918002	912005	912006	913011	914053	915021	916149	917056		528-143	528-146
DRESR	TD15E		SALT	1.750	8.810	2.754	5.310	7.980	8-HOLE	910025				918003	918004	912003	912004	913032	914094	915109	916152	917060		528-143	528-146
DRESR	TD15E	LGP	SALT	1.750	8.810	2.754	5.310	7.980	8-HOLE	910025				918003	918004	912003	912004	913032	914094	915109	916152	917060		528-143	528-146
DRESR	TD15E		SEALED	1.750	8.810	2.756	5.900	7.980	8-HOLE	910025				918003	918004	912003	912004	913017	914094	915108	916117	917060	900240	528-150	528-144
DRESR	TD20B		SEALED	1.750	9.310	2.614	6.100	7.500	ADJ	800001*	910103	910203	910303	918001	918002	912001	912002	913028	914051	915036	916069	917059	900240	528-150	528-144
DRESR	TD20C		SEALED	1.750	9.310	2.614	6.100	7.500	ADJ	800001*	910103	910203	910303	918001	918002	912001	912002	913028	914051	915036	916069	917059	900211	528-143	528-146
DRESR	TD20C		SEALED	1.875	9.310	2.862	6.625	8.500	8-HOLE	910024	910108	910208		918003	918004	912003	912004	913024	914031	915035	916070	917060			
DRESR	TD20E		DRY	1.874	10.430	2.866	7.266	8.500	8-HOLE	910024				918003	918004	912003	912004	913026	914103	915212	916264			528-143	528-146
DRESR	TD20E		SALT	1.874	10.430	2.866	6.704	8.500	8-HOLE	910024	910108	910208	910308(8)	918003	918004	912003	912004	913022	914050	915077	916152	917060	900245	528-143	528-146
DRESR	TD20E		SEALED	1.875	10.440	2.864	7.250	8.500	8-HOLE	910024	910108	910208	910308(8)	918003	918004	912003	912004	913023	914050	915038	916071	917060		528-143	528-146
DRESR	TD20E	SPLIT	SEALED	1.875	10.430	2.864	7.270	8.500	8-HOLE	910024	910108	910208	910308(8)	918003	918004	912003	912004	913023	914050	915077	916151	917060			
DRESR	TD20G		DRY	1.874	10.430	2.866	7.266	8.500	8-HOLE	910024				918003	918004	912003	912004	913026	914103	915212	916264			528-143	528-146
DRESR	TD20G		SALT	1.874	10.430	2.866	6.704	8.500	8-HOLE	910024	910108	910208	910308(8)	918003	918004	912003	912004	913022	914050	915077	916152	917060		528-143	528-146



WTC Machinery Corporation
91 Series Track Tooling Chart

2/13/2024

Make	Model	Comments	Type	Pin Dia.	Pin Length	Bushing Dia.	Bushing Length	Pitch	Jaw Type	Jaw (*qty 2)	Side Plates (2)	Shims(4) Unless Specified	RH Tool Bar	LH Tool Bar	Tool Holder ADJ (2)	Tool Holder Stat (2)	Pin Dissy (2)	Bushing Dissy (2)	Pin Assembly (2)	Bushing Assembly (2)	Shim Group	M.B.A. (2)	Plate for WS-310 (1)	Shim for WS-310 (2)	
DRESR	TD20G	LGP	SALT	1.874	10.430	2.866	6.704	8.500	8-HOLE	910024	910108	910208	910308(8)	918003	918004	912003	912004	913022	914050	915077	916152	917060	900211	528-143	528-146
DRESR	TD24		SEALED	1.875	11.000	2.864	8.280	8.500	8-HOLE	910024	910108	910208	910308(12)	918003	918004	912003	912004	913022	914049	915037	916072	917060	900211	528-143	528-146
DRESR	TD25B		SEALED	1.875	11.000	2.864	8.280	8.500	8-HOLE	910024	910108	910208	910308(12)	918003	918004	912003	912004	913022	914049	915037	916072	917060		528-150	
DRESR	TD25C		SALT	2.125	11.000	3.239	7.329	9.870	8-HOLE	800007				918003	918004	912003	912004	913047	914048	915102	916154	917060	900226	528-143	528-147
DRESR	TD25C		SALT	2.125	11.000	3.241	7.329	9.860	8-HOLE	800007				918003	918004	912003	912004	913022	914048	915102	916153	917060	900226	528-143	528-147
DRESR	TD25C		SEALED	2.125	11.000	3.239	8.280	9.870	8-HOLE	800007				918003	918004	912003	912004	913022	914048	915102	916156	917060		528-150	
DRESR	TD25E		SALT	2.125	11.000	3.239	7.329	9.870	8-HOLE	800007				918003	918004	912003	912004	913047	914048	915102	916154	917060	900226	528-143	528-147
DRESR	TD25E		SALT	2.125	11.000	3.241	7.329	9.860	8-HOLE	800007				918003	918004	912003	912004	913022	914048	915102	916153	917060	900226	528-143	528-147
DRESR	TD25E		SEALED	2.125	11.000	3.239	8.280	9.870	8-HOLE	800007				918003	918004	912003	912004	913022	914048	915102	916156	917060		528-150	
DRESR	TD25E	SPLIT	SEALED	2.125	11.000	3.239	8.280	9.870	8-HOLE	800007				918003	918004	912003	912004	913022	914048	915102	916153				
DRESR	TD25G		DRY	2.125	11.000	3.241	8.282	9.860	8-HOLE	800007				918003	918004	912003	912004	913072	914075	915102	916266			528-150	
DRESR	TD25G		SALT	2.125	11.000	3.239	7.329	9.870	8-HOLE	800007				918003	918004	912003	912004	913047	914048	915102	916154	917060	900226	528-143	528-147
DRESR	TD30		SALT	2.125	11.000	3.241	7.329	9.860	8-HOLE	800007				918003	918004	912003	912004	913022	914048	915102	916153	917060	900226	528-143	528-147
DRESR	TD30		SEALED	2.125	11.000	3.239	8.280	9.870	8-HOLE	800007				918003	918004	912003	912004	913022	914048	915102	916156	917060		528-142	528-148
DRESR	TD4		FLUSH	1.010	4.750	1.470	3.220	6.000	ADJ	800005*				918001	918002	912005	912006	913030	914065	915028	916058	917059		528-150	528-147
DRESR	TD40	SPLIT	SALT	2.456	12.600	3.722	9.173	11.020	8-HOLE	910028				918003	918004	912003	912004	913048	914115	915101	916147	917060		528-150	528-147
DRESR	TD40	SPLIT	SEALED	2.456	12.600	3.722	8.322	11.020	8-HOLE	910028				918003	918004	912003	912004	913051	916148	915101	916148	917060		528-142	528-148
DRESR	TD5		FLUSH	1.010	4.750	1.470	3.220	6.000	ADJ	800005*				918001	918002	912005	912006	913030	914065	915028	916058	917059	900217	528-142	
DRESR	TD6		SEALED	1.250	5.970	1.800	3.970	6.000	ADJ	800005*	910104	910204		918001	918002	912005	912006	913027	914068	915034	916066	917059			
DRESR	TD7		SEALED	1.250	6.500	1.806	4.535	5.998	ADJ	800005*				918001	918002	912005	912006	913002	914069	915040	916067		900217	528-142	
DRESR	TD7C		SEALED	1.250	6.500	1.806	4.535	5.998	ADJ	800005*	910104	910204		918001	918002	912005	912006	913002	914069	915040	916067	917059	900217	528-142	
DRESR	TD7E		SEALED	1.250	6.500	1.800	4.533	5.990	ADJ	800005*	910104	910204		918001	918002	912005	912006	913002	914069	915100	916067	917059		528-150	528-144
DRESR	TD7G		SALT	1.312	6.690	2.115	4.187	6.490	ADJ	800005*	910104	910204		918001	918002	912005	912006	913020	914034	915133	916101	917059			
DRESR	TD7H		DRY	1.312	6.690	2.115	4.760	6.490	ADJ	800005*				918001	918002	912005	912006	913030	914064	915213	916194		900216	528-150	528-145
DRESR	TD8C		SEALED	1.375	6.690	2.053	4.908	6.490	ADJ	800005*	910104	910204		918001	918002	912005	912006	913029	914059	915048	916146	917059	900216	528-150	528-145
DRESR	TD8E		SEALED	1.375	6.690	2.053	4.908	6.490	ADJ	800005*	910104	910204		918001	918002	912005	912006	913029	914059	915048	916146	917059		528-150	528-144
DRESR	TD8G		SALT	1.312	6.690	2.115	4.187	6.490	ADJ	800005*	910104	910204		918001	918002	912005	912006	913020	914034	915133	916101	917059		528-150	528-144
DRESR	TD8G		SEALED	1.312	6.690	2.115	4.760	6.490	ADJ	800005*	910104	910204		918001	918002	912005	912006	913020	914097	915040	916068	917059			
DRESR	TD-8G		DRY	1.312	6.690	2.115	4.760	6.490	ADJ	800005*				918001	918002	912005	912006	913030	914064	915213	916194		900216	528-150	528-145
DRESR	TD9B		SEALED	1.375	6.690	2.053	4.908	6.490	ADJ	800005*	910104	910204		918001	918002	912005	912006	913029	914059	915048	916146	917059		528-150	528-144
DRESR	TD9H		SALT	1.312	6.690	2.115	4.187	6.490	ADJ	800005*	910104	910204		918001	918002	912005	912006	913020	914034	915133	916101	917059			
FIAT	31		DRY	2.374	12.953	3.876	10.195	11.281	8-HOLE	800004				918003	918004	912003	912004	913076	914038	915142	916271				
FIAT	31		SALT	2.374	12.953	3.876	9.748	11.281	8-HOLE	800004				918003	918004	912003	912004	913011	914010	915221	916049		900219	528-142	
FIAT	652		UNSEALED	1.250	6.240	1.875	4.525	6.000	ADJ	800005*				918001	918002	912005	912006	913002	914036	915004	916163	917059	900219	528-142	
FIAT	653		UNSEALED	1.250	6.240	1.875	4.525	6.000	ADJ	800005*				918001	918002	912005	912006	913002	914036	915004	916163	917059	900219	528-142	
FIAT	655		UNSEALED	1.250	6.240	1.875	4.525	6.000	ADJ	800005*				918001	918002	912005	912006	913002	914036	915004	916163	917059		528-143	528-145
FIAT	12G		SEALED	1.876	10.270	2.879	6.930	7.850	ADJ	800001*	910103	910203	910303(16)	918001	918002	912001	912002	913015	914021	915020	916027	917059	900211	528-143	528-145
FIAT	12G		UNSEALED	1.874	10.270	2.875	7.732	7.858	ADJ	800001*	910103	910203	910303	918001	918002	912001	912002	913015	914023	915020	916046	917059		528-143	528-145
FIAT	12GB		SEALED	1.878	10.270	2.875	6.927	7.858	ADJ	800001*	910103	910203	910303(16)	918001	918002	912001	912002	913015	914021	915030	916028	917059	900271	528-142	
FIAT	14B		UNSEALED	1.578	8.661	2.366	6.290	7.480	ADJ	800001*	910103	910203		918001	918002	912002	912002	913020	914026	915022	916043	917059			
FIAT	41B		DRY	2.622	14.000	4.122	10.197	11.281	8-HOLE	800004				918003	918004	912003	912004	913077	914110	915218	916272				
FIAT	41B		SALT	2.622	14.000	4.122	9.354	11.281	8-HOLE	800004				918003	918004	912003	912004	913073	914125	915218	916269		900202	528-142	
FIAT	AD10		UNSEALED	1.459	7.874	2.287	5.740	6.929	ADJ	800001*				918001	918002	912005	912006	913019	914029	915022	916040	917059	900202	528-142	



**WTC Machinery Corporation
91 Series Track Tooling Chart**

2/13/2024

Make	Model	Comments	Type	Pin Dia.	Pin Length	Bushing Dia.	Bushing Length	Pitch	Jaw Type	Jaw (*qty 2)	Side Plates (2)	Shims(4) Unless Specified	RH Tool Bar	LH Tool Bar	Tool Holder ADJ (2)	Tool Holder Stat (2)	Pin Dissy (2)	Bushing Dissy (2)	Pin Assembly (2)	Bushing Assembly (2)	Shim Group	M.B.A. (2)	Plate for WS-310 (1)	Shim for WS-310 (2)	
FIAT	AD10B		UNSEALED	1.459	7.874	2.287	5.740	6.929	ADJ	800001*			918001	918002	912005	912006	913019	914029	915022	916040	917059		528-143	528-145	
FIAT	AD12		SALT	1.577	8.660	2.364	6.290	6.000	ADJ	800001*	910103	910203	910303	918001	918002	912001	912002	913020	914118	915022	916188	917059	900271	528-142	
FIAT	AD12		UNSEALED	1.578	8.661	2.366	6.290	7.480	ADJ	800001*	910103	910203		918001	918002	912002	912002	913020	914026	915022	916043	917059		528-143	528-145
FIAT	AD14		SALT	1.577	8.660	2.364	6.290	6.000	ADJ	800001*	910103	910203	910303	918001	918002	912001	912002	913020	914118	915022	916188	917059	900271	528-142	
FIAT	AD14		UNSEALED	1.578	8.661	2.366	6.290	7.480	ADJ	800001*	910103	910203		918001	918002	912002	912002	913020	914026	915022	916043	917059		528-143	528-144
FIAT	AD18		UNSEALED	1.870	9.840	2.815	7.240	8.503	8-HOLE	910024	910108	910208	910308	918003	918004	912003	912004	913012	914022	915019	916047	917060		528-143	528-144
FIAT	AD20		UNSEALED	1.870	9.840	2.815	7.240	8.503	8-HOLE	910024	910108	910208	910308	918003	918004	912003	912004	913012	914022	915019	916047	917060		528-142	528-148
FIAT	AD4		UNSEALED	0.984	5.280	1.452	3.810	5.512	ADJ	800005*				918001	918002	912005	912006	913018	914037	915028	916033	917059		528-142	528-144
FIAT	AD5		UNSEALED	1.181	6.100	1.767	4.490	6.299	ADJ	800005*	910104	910204		918001	918002	912005	912006	913002	914035	915027	916035	917059		528-150	528-145
FIAT	AD6		UNSEALED	1.377	7.010	2.043	5.190	6.692	ADJ	800005*	910104	910204		918001	918002	912005	912006	913002	914031	915025	916038	917059		528-150	528-145
FIAT	AD7		UNSEALED	1.377	7.010	2.043	5.190	6.692	ADJ	800005*	910104	910204		918001	918002	912005	912006	913002	914031	915025	916038	917059		528-150	528-145
FIAT	AD7C		UNSEALED	1.377	7.010	2.043	5.190	6.692	ADJ	800005*	910104	910204		918001	918002	912005	912006	913002	914031	915025	916038	917059	900216	528-150	528-145
FIAT	AD8		UNSEALED	1.380	7.126	2.050	5.110	6.693	ADJ	800005*	910104	910204		918001	918002	912005	912006	913002	914030	915025	916039	917059		528-150	528-145
FIAT	AD9		UNSEALED	1.377	7.010	2.043	5.190	6.692	ADJ	800005*	910104	910204		918001	918002	912005	912006	913002	914031	915025	916038	917059		528-142	528-148
FIAT	B1		UNSEALED	0.984	5.280	1.452	3.810	5.512	ADJ	800005*				918001	918002	912005	912006	913018	914037	915028	916033	917059	900202	528-142	
FIAT	BD10		UNSEALED	1.459	7.874	2.287	5.740	6.929	ADJ	800001*				918001	918002	912005	912006	913019	914029	915022	916040	917059	900202	528-142	
FIAT	BD10B		UNSEALED	1.459	7.874	2.287	5.740	6.929	ADJ	800001*				918001	918002	912005	912006	913019	914029	915022	916040	917059		528-143	528-145
FIAT	BD12		SALT	1.577	8.660	2.364	6.290	6.000	ADJ	800001*	910103	910203	910303	918001	918002	912001	912002	913020	914118	915022	916188	917059	900271	528-142	
FIAT	BD12		UNSEALED	1.578	8.661	2.366	6.290	7.480	ADJ	800001*	910103	910203		918001	918002	912002	912002	913020	914026	915022	916043	917059		528-143	528-145
FIAT	BD14		SALT	1.577	8.660	2.364	6.290	6.000	ADJ	800001*	910103	910203	910303	918001	918002	912001	912002	913020	914118	915022	916188	917059	900271	528-142	
FIAT	BD14		UNSEALED	1.578	8.661	2.366	6.290	7.480	ADJ	800001*	910103	910203		918001	918002	912002	912002	913020	914026	915022	916043	917059		528-143	528-144
FIAT	BD18		UNSEALED	1.870	9.840	2.815	7.240	8.503	8-HOLE	910024	910108	910208	910308	918003	918004	912003	912004	913012	914022	915019	916047	917060		528-143	528-144
FIAT	BD20		UNSEALED	1.870	9.840	2.815	7.240	8.503	8-HOLE	910024	910108	910208	910308	918003	918004	912003	912004	913012	914022	915019	916047	917060		528-150	528-145
FIAT	BD7		UNSEALED	1.377	7.010	2.043	5.190	6.692	ADJ	800005*	910104	910204		918001	918002	912005	912006	913002	914031	915025	916038	917059		528-150	528-145
FIAT	BD7C		UNSEALED	1.377	7.010	2.043	5.190	6.692	ADJ	800005*	910104	910204		918001	918002	912005	912006	913002	914031	915025	916038	917059	900216	528-150	528-145
FIAT	BD8		UNSEALED	1.380	7.126	2.050	5.110	6.693	ADJ	800005*	910104	910204		918001	918002	912005	912006	913002	914030	915025	916039	917059		528-150	528-145
FIAT	BD9		UNSEALED	1.377	7.010	2.043	5.190	6.692	ADJ	800005*	910104	910204		918001	918002	912005	912006	913002	914031	915025	916038	917059	900216	528-150	528-145
FIAT	F318		SEALED	1.377	7.165	2.047	4.921	6.692	ADJ	800005*	910104	910204	910304	918001	918002	912005	912006	913002	914002	915154	916212	917059		528-143	528-145
FIAT	FA200		SALT	1.577	8.660	2.364	6.290	6.000	ADJ	800001*	910103	910203	910303	918001	918002	912001	912002	913020	914118	915022	916188	917059		528-143	528-145
FIAT	FD14		SALT	1.577	8.660	2.364	6.290	6.000	ADJ	800001*	910103	910203	910303	918001	918002	912001	912002	913020	914118	915022	916188	917059		528-150	528-147
FIAT	FD20		SALT	1.880	9.900	2.811	6.410	8.503	8-HOLE	910024	910108	910208	910308	918003	918004	912003	912004	913012	914081	915006	916185	917060		528-150	
FIAT	FD20		UNSEALED	1.873	9.843	2.819	7.236	8.504	8-HOLE	910024	910108	910208	910308	918003	918004	912003	912004	913012	914022	915019	916072	917060		528-143	528-144
FIAT	FD30		SALT	2.036	11.650	3.194	8.030	9.035	8-HOLE	910016	910108	910208	910308(8)	918003	918004	912003	912004	913006	914019	915105	916159	917060	900206	528-143	528-144
FIAT	FD30		UNSEALED	2.036	11.660	3.194	8.580	9.042	8-HOLE	910016	910108	910208	910308	918003	918004	912003	912004	913011	914019	915016	916020	917060			
FIAT	FD31		SALT	2.373	12.950	3.876	9.350	11.281	8-HOLE	800004				918003	918004	912003	912004	913021	914111	915094	916133			528-143	528-146
FIAT	FD31		SEALED	2.373	12.950	3.876	9.120	11.250	8-HOLE	800004				918003	918004	912003	912004	913007	914038	915029	916032	917060	900276	528-143	528-145
FIAT	FD31		UNSEALED	2.375	12.950	3.880	9.946	11.250	8-HOLE	800004				918003	918004	912003	912004	913021	914092	915073	916050	917060			
FIAT	FD40		DRY	2.374	12.953	3.876	10.195	11.281	8-HOLE	800004				918003	918004	912003	912004	913076	914038	915142	916271				
FIAT	FD40		SALT	2.373	12.950	3.876	9.350	11.281	8-HOLE	800004				918003	918004	912003	912004	913021	914111	915094	916133				
FIAT	FD40		SALT	2.374	12.953	3.876	9.748	11.281	8-HOLE	800004				918003	918004	912003	912004	913011	914010	915221	916049		900276	528-143	528-145
FIAT	FD40		UNSEALED	2.375	12.950	3.880	9.946	11.250	8-HOLE	800004				918003	918004	912003	912004	913021	914092	915073	916050	917060			
FIAT	FD40B		DRY	2.374	12.953	3.876	10.195	11.281	8-HOLE	800004				918003	918004	912003	912004	913076	914038	915142	916271				
FIAT	FD40B		SALT	2.374	12.953	3.876	9.748	11.281	8-HOLE	800004				918003	918004	912003	912004	913011	914010	915221	916049			528-150	528-144



WTC Machinery Corporation
91 Series Track Tooling Chart

Make	Model	Comments	Type	Pin Dia.	Pin Length	Bushing Dia.	Bushing Length	Pitch	Jaw Type	Jaw (*qty 2)	Side Plates (2)	Shims(4) Unless Specified	RH Tool Bar	LH Tool Bar	Tool Holder ADJ (2)	Tool Holder Stat (2)	Pin Dissy (2)	Bushing Dissy (2)	Pin Assembly (2)	Bushing Assembly (2)	Shim Group	M.B.A. (2)	Plate for WS-310 (1)	Shim for WS-310 (2)	
FIAT	FD5		SALT	1.260	6.420	2.010	4.070	6.299	ADJ	800005*	910104	910204		918001	918002	912005	912006	913031	914043	915130	916101	917059		528-150	528-145
FIAT	FD5		UNSEALED	1.143	6.457	1.772	4.488	6.299	ADJ	800005*	910104	910204		918001	918002	912005	912006	913010	914068	915120	916166	917059			
FIAT	FD50		DRY	2.622	14.000	4.122	10.197	11.281	8-HOLE	800004				918003	918004	912003	912004	913077	914110	915218	916272				
FIAT	FD50		SALT	2.622	14.000	4.122	9.354	11.281	8-HOLE	800004				918003	918004	912003	912004	913073	914125	915218	916269			528-150	528-144
FIAT	FD7		SALT	1.260	6.420	2.010	4.070	6.299	ADJ	800005*	910104	910204		918001	918002	912005	912006	913031	914043	915130	916101	917059		528-150	528-145
FIAT	FD7		UNSEALED	1.143	6.457	1.772	4.488	6.299	ADJ	800005*	910104	910204		918001	918002	912005	912006	913010	914068	915120	916166	917059		528-150	
FIAT	FD9		SALT	1.382	7.170	2.085	4.510	6.692	ADJ	800005*	910104	910204	910304	918001	918002	912005	912006	913032	914099	915014	916168	917059		528-150	
FIAT	FD9		UNSEALED	1.382	7.170	2.085	5.280	6.692	ADJ	800005*	910104	910204	910304	918001	918002	912005	912006	913029	914099	915014	916167	917059	900216	528-150	528-145
FIAT	FE16		SEALED	1.377	7.165	2.047	4.921	6.692	ADJ	800005*	910104	910204	910304	918001	918002	912005	912006	913002	914002	915154	916212	917059	900216	528-150	528-145
FIAT	FE20		SEALED	1.377	7.165	2.047	4.921	6.692	ADJ	800005*	910104	910204	910304	918001	918002	912005	912006	913002	914002	915154	916212	917059	900216	528-150	528-145
FIAT	FE20LC		SEALED	1.377	7.165	2.047	4.921	6.692	ADJ	800005*	910104	910204	910304	918001	918002	912005	912006	913002	914002	915154	916212	917059	900216	528-150	528-145
FIAT	FE8LC		SEALED	1.377	7.165	2.047	4.921	6.692	ADJ	800005*	910104	910204	910304	918001	918002	912005	912006	913002	914002	915154	916212	917059	900216	528-150	528-145
FIAT	FH120		SEALED	1.377	7.165	2.047	4.921	6.692	ADJ	800005*	910104	910204	910304	918001	918002	912005	912006	913002	914002	915154	916212	917059	900216	528-150	528-145
FIAT	FH150		SEALED	1.377	7.165	2.047	4.921	6.692	ADJ	800005*	910104	910204	910304	918001	918002	912005	912006	913002	914002	915154	916212	917059	900216	528-150	528-145
FIAT	FH150LC		SEALED	1.377	7.165	2.047	4.921	6.692	ADJ	800005*	910104	910204	910304	918001	918002	912005	912006	913002	914002	915154	916212	917059	900202	528-142	
FIAT	FH200		SEALED	1.458	8.031	2.284	5.787	6.929	ADJ	800001*				918001	918002	912005	912006	913019	914029	915118	916211	917059	900202	528-142	
FIAT	FH200LC		SEALED	1.458	8.031	2.284	5.787	6.929	ADJ	800001*				918001	918002	912005	912006	913019	914029	915118	916211	917059	900202	528-142	
FIAT	FL10		UNSEALED	1.459	7.874	2.287	5.740	6.929	ADJ	800001*				918001	918002	912005	912006	913019	914029	915022	916040	917059	900202	528-142	
FIAT	FL10B		UNSEALED	1.459	7.874	2.287	5.740	6.929	ADJ	800001*				918001	918002	912005	912006	913019	914029	915022	916040	917059	900271	528-142	
FIAT	FL12		UNSEALED	1.578	8.661	2.366	6.290	7.480	ADJ	800001*	910103	910203		918001	918002	912002	912002	913020	914026	915022	916043	917059		528-143	528-145
FIAT	FL14		SALT	1.577	8.660	2.364	6.290	6.000	ADJ	800001*	910103	910203	910303	918001	918002	912001	912002	913020	914118	915022	916188	917059	900271	528-142	
FIAT	FL14		UNSEALED	1.578	8.661	2.366	6.290	7.480	ADJ	800001*	910103	910203		918001	918002	912002	912002	913020	914026	915022	916043	917059	900271	528-142	
FIAT	FL14B		UNSEALED	1.578	8.661	2.366	6.290	7.480	ADJ	800001*	910103	910203		918001	918002	912002	912002	913020	914026	915022	916043	917059	900271	528-142	
FIAT	FL14C		UNSEALED	1.578	8.661	2.366	6.290	7.480	ADJ	800001*	910103	910203		918001	918002	912002	912002	913020	914026	915022	916043	917059		528-143	528-145
FIAT	FL14D		SALT	1.577	8.660	2.364	6.290	6.000	ADJ	800001*	910103	910203	910303	918001	918002	912001	912002	913020	914118	915022	916188	917059		528-143	528-145
FIAT	FL14E		SALT	1.577	8.660	2.364	6.290	6.000	ADJ	800001*	910103	910203	910303	918001	918002	912001	912002	913020	914118	915022	916188	917059		528-150	
FIAT	FL20	S/N 7607 & DN	UNSEALED	1.873	9.843	2.819	7.236	8.504	8-HOLE	910024	910108	910208	910308	918003	918004	912003	912004	913012	914022	915019	916072	917060		528-150	528-147
FIAT	FL20	7608 & UP	SALT	1.880	9.900	2.811	6.410	8.503	8-HOLE	910024S	910108	910208	910308	918003	918004	912003	912004	913012	914081	915006	916185	917060		528-142	528-148
FIAT	FL4		UNSEALED	0.868	5.118	1.262	3.575	4.921	ADJ	910013S*	910104S	910204S		918001	918002	912005	912006	913037	914176	915316	916350	917059		528-142	528-148
FIAT	FL4AC		UNSEALED	0.984	5.280	1.452	3.810	5.512	ADJ	800005*				918001	918002	912005	912006	913018	914037	915028	916033	917059		528-142	528-148
FIAT	FL4AD		UNSEALED	0.984	5.280	1.452	3.810	5.512	ADJ	800005*				918001	918002	912005	912006	913018	914037	915028	916033	917059		528-142	528-148
FIAT	FL4L		UNSEALED	0.984	5.280	1.452	3.810	5.512	ADJ	800005*				918001	918002	912005	912006	913018	914037	915028	916033	917059		528-150	528-144
FIAT	FL5		SALT	1.260	6.420	2.010	4.070	6.299	ADJ	800005*	910104	910204		918001	918002	912005	912006	913031	914043	915130	916101	917059		528-150	528-145
FIAT	FL5		UNSEALED	1.143	6.457	1.772	4.488	6.299	ADJ	800005*	910104	910204		918001	918002	912005	912006	913010	914068	915120	916166	917059		528-150	528-144
FIAT	FL5B		SALT	1.260	6.420	2.010	4.070	6.299	ADJ	800005*	910104	910204		918001	918002	912005	912006	913031	914043	915130	916101	917059		528-142	528-144
FIAT	FL6		UNSEALED	1.181	6.100	1.767	4.490	6.299	ADJ	800005*	910104	910204		918001	918002	912005	912006	913002	914035	915027	916035	917059		528-150	528-144
FIAT	FL7		SALT	1.260	6.420	2.010	4.070	6.299	ADJ	800005*	910104	910204		918001	918002	912005	912006	913031	914043	915130	916101	917059		528-150	528-145
FIAT	FL7		UNSEALED	1.143	6.457	1.772	4.488	6.299	ADJ	800005*	910104	910204		918001	918002	912005	912006	913010	914068	915120	916166	917059		528-150	528-145
FIAT	FL7		UNSEALED	1.377	7.010	2.043	5.190	6.692	ADJ	800005*	910104	910204		918001	918002	912005	912006	913002	914031	915025	916038	917059		528-150	528-144
FIAT	FL7B		SALT	1.260	6.420	2.010	4.070	6.299	ADJ	800005*	910104	910204		918001	918002	912005	912006	913031	914043	915130	916101	917059		528-150	528-145
FIAT	FL8		UNSEALED	1.377	7.010	2.043	5.190	6.692	ADJ	800005*	910104	910204		918001	918002	912005	912006	913002	914031	915025	916038	917059		528-150	528-145
FIAT	FL8C		UNSEALED	1.377	7.010	2.043	5.190	6.692	ADJ	800005*	910104	910204		918001	918002	912005	912006	913002	914031	915025	916038	917059	900216	528-150	528-145
FIAT	FL9		UNSEALED	1.380	7.126	2.050	5.110	6.693	ADJ	800005*	910104	910204		918001	918002	912005	912006	913002	914030	915025	916039	917059			



WTC Machinery Corporation
91 Series Track Tooling Chart

Table with 23 columns: Make, Model, Comments, Type, Pin Dia., Pin Length, Bushing Dia., Bushing Length, Pitch, Jaw Type, Jaw (*qty 2), Side Plates (2), Shims(4) Unless Specified, RH Tool Bar, LH Tool Bar, Tool Holder ADJ (2), Tool Holder Stat (2), Pin Dissy (2), Bushing Dissy (2), Pin Assembly (2), Bushing Assembly (2), Shim Group, M.B.A. (2), Plate for WS-310 (1), Shim for WS-310 (2). Rows list various tooling specifications for different models like FP120, GH11E, H3, H4, HD10, HD11, HD11B, HD11E, HD11G, HD14, HD15, HD16, HD16B, HD19, HD21, HD21B, HD21C, HD21P, HD3, HD31.



WTC Machinery Corporation
91 Series Track Tooling Chart

2/13/2024

Make	Model	Comments	Type	Pin Dia.	Pin Length	Bushing Dia.	Bushing Length	Pitch	Jaw Type	Jaw (*qty 2)	Side Plates (2)	Shims(4) Unless Specified	RH Tool Bar	LH Tool Bar	Tool Holder ADJ (2)	Tool Holder Stat (2)	Pin Dissy (2)	Bushing Dissy (2)	Pin Assembly (2)	Bushing Assembly (2)	Shim Group	M.B.A. (2)	Plate for WS-310 (1)	Shim for WS-310 (2)	
FIAT	HD31		UNSEALED	2.375	12.950	3.880	9.946	11.250	8-HOLE	800004			918003	918004	912003	912004	913021	914092	915073	916050	917060	900219	528-142		
FIAT	HD4	S/N 3001 & UP	UNSEALED	1.250	6.240	1.875	4.525	6.000	ADJ	800005*			918001	918002	912005	912006	913002	914036	915004	916163	917059				
FIAT	HD4			1.253	5.840	1.750	3.603	6.000	ADJ	800005*			918001	918002	912005	912006	913074	914143	915219	916021					
FIAT	HD41		SALT	2.373	12.950	3.876	9.350	11.281	8-HOLE	800004			918003	918004	912003	912004	913021	914111	915094	916133			528-143	528-146	
FIAT	HD41		SEALED	2.373	12.950	3.876	9.120	11.250	8-HOLE	800004			918003	918004	912003	912004	913007	914038	915029	916032	917060	900276	528-143	528-145	
FIAT	HD41		UNSEALED	2.375	12.950	3.880	9.946	11.250	8-HOLE	800004			918003	918004	912003	912004	913021	914092	915073	916050	917060				
FIAT	HD41B		SALT	2.622	14.000	4.112	9.354	11.280	8-HOLE	800004			918003	918004	912003	912004	913073	914110	915218	916269		900269	528-143		
FIAT	HD41B		UNSEALED	2.623	14.000	3.998	9.927	11.280	8-HOLE	800004			918003	918004	912003	912004	913039	914047	915033	916051	917060		528-150	528-146	
FIAT	HD5		SEALED	1.375	6.910	2.005	4.030	6.495	ADJ	800005*	910104	910204	918001	918002	912005	912006	913020	914043	915014	916023	917059	900216	528-150	528-146	
FIAT	HD5		UNSEALED	1.375	6.910	2.005	4.733	6.495	ADJ	800005*	910104	910204	918001	918002	912005	912006	913020	914033	915014	916036	917059				
FIAT	HD5			1.753	8.370	2.500	5.853	7.850	ADJ	800001*			918001	918002	912001	912002	913075	914044	915220	916270					
FIAT	HD50		SALT	2.622	14.000	4.112	9.354	11.280	8-HOLE	800004			918003	918004	912003	912004	913073	914110	915218	916269		900269	528-143		
FIAT	HD50		UNSEALED	2.623	14.000	3.998	9.927	11.280	8-HOLE	800004			918003	918004	912003	912004	913039	914047	915033	916051	917060				
FIAT	HD50			1.753	8.370	2.500	5.853	7.850	ADJ	800001*			918001	918002	912001	912002	913075	914044	915220	916270			528-150	528-146	
FIAT	HD6		SEALED	1.375	6.910	2.005	4.030	6.495	ADJ	800005*	910104	910204	918001	918002	912005	912006	913020	914043	915014	916023	917059	900216	528-150	528-146	
FIAT	HD6		UNSEALED	1.375	6.910	2.005	4.733	6.495	ADJ	800005*	910104	910204	918001	918002	912005	912006	913020	914033	915014	916036	917059		528-150	528-146	
FIAT	HD7	S/N 1102 & DN	UNSEALED	1.738	7.510	2.000	4.510	6.500	ADJ	800005*	910104	910204	918001	918002	912005	912006	913019	914034	915026	916037	917059	900213	528-143	528-147	
FIAT	HD7	S/N 1103 & UP	UNSEALED	1.565	8.140	2.315	5.755	6.500	ADJ	800005*	910104	910204	910304(8)	918001	918002	912005	912006	913019	914032	915023	916042	917059	900241	528-142	
FIAT	HD7G		SEALED	1.565	8.140	2.311	4.924	7.006	ADJ	800001*			918001	918002	912005	912006	913019	914042	915023	916024	917059				
FIAT	HD7G		UNSEALED	1.565	8.140	2.315	5.755	7.000	ADJ	800001*			918001	918002	912005	912006	913033	914026	915214	916267		900213	528-142		
FIAT	HD7G		UNSEALED	1.565	8.140	2.315	5.755	7.006	ADJ	800001*			918001	918002	912005	912006	913008	914027	915023	916042	917059		528-142		
FIAT	HD7G-B		SEALED	1.562	8.140	2.315	4.930	7.000	ADJ	800001*			918001	918002	912005	912006	913008	914041	915031	916025	917059	900241	528-142		
FIAT	HD9		SEALED	1.565	8.140	2.311	4.924	7.006	ADJ	800001*			918001	918002	912005	912006	913019	914042	915023	916024	917059				
FIAT	HD9		UNSEALED	1.565	8.140	2.315	5.755	7.000	ADJ	800001*			918001	918002	912005	912006	913033	914026	915214	916267		900213	528-142		
FIAT	HD9		UNSEALED	1.565	8.140	2.315	5.755	7.006	ADJ	800001*			918001	918002	912005	912006	913008	914027	915023	916042	917059		528-150	528-146	
FIAT	K		UNSEALED	1.738	7.510	2.000	4.510	6.500	ADJ	800005*	910104	910204	918001	918002	912005	912006	913019	914034	915026	916037	917059		528-150	528-146	
FIAT	KO		UNSEALED	1.738	7.510	2.000	4.510	6.500	ADJ	800005*	910104	910204	918001	918002	912005	912006	913019	914034	915026	916037	917059	900216	528-150	528-145	
FIAT	PH130		SEALED	1.377	7.165	2.047	4.921	6.692	ADJ	800005*	910104	910204	910304	918001	918002	912005	912006	913002	914002	915154	916212	917059	900216	528-150	528-145
FIAT	S11		SEALED	1.377	7.165	2.047	4.921	6.692	ADJ	800005*	910104	910204	910304	918001	918002	912005	912006	913002	914002	915154	916212	917059	900216	528-150	528-145
FIAT	S9		SEALED	1.377	7.165	2.047	4.921	6.692	ADJ	800005*	910104	910204	910304	918001	918002	912005	912006	913002	914002	915154	916212	917059	900216	528-150	528-145
FIAT	SL11	33/281 & UP	SEALED	1.377	7.165	2.047	4.921	6.692	ADJ	800005*	910104	910204	910304	918001	918002	912005	912006	913002	914002	915154	916212	917059	900216	528-150	528-145
FIAT	SL9	30/241 & UP	SEALED	1.377	7.165	2.047	4.921	6.692	ADJ	800005*	910104	910204	910304	918001	918002	912005	912006	913002	914002	915154	916212	917059			
HITACHI	EX100		UNSEALED	1.315	7.283	1.991	4.921	6.736	ADJ	800005*			918001	918002	912001	912002	913054	914064	915223	916068			528-150	528-146	
HITACHI	EX1100		SEALED	2.290	12.578	3.540	8.740	10.250	8-HOLE	910042	910120	910220	918003	918004	912003	912004	913025	914109	915171	916234	917060				
HITACHI	EX120		UNSEALED	1.315	7.283	1.991	4.921	6.736	ADJ	800005*			918001	918002	912001	912002	913054	914064	915223	916068			528-150	528-146	
HITACHI	EX1200-5		SEALED	2.290	12.578	3.540	8.740	10.250	8-HOLE	910042	910120	910220	918003	918004	912003	912004	913025	914109	915171	916234	917060				
HITACHI	EX1200-6	Berco KM2346	SEALED	2.362	12.772	3.858	8.882	11.023	8-HOLE	910028			918003	918004	912003	912004	913050	914191	915339	916369	917060	9002012	528-142	528-144	
HITACHI	EX150		SEALED	1.378	7.598	2.116	4.819	6.750	ADJ	800001*	910103	910203	918001	918002	912005	912006	913019	914011	915002	916192	917059				
HITACHI	EX1800		SEALED	2.756	14.450	4.567	9.610	12.500	8-HOLE	910005			918003	918004	????	????	913050	914110	915107	916183	917060	9002007	528-142		
HITACHI	EX200		SEALED	1.442	8.346	2.303	5.728	7.484	ADJ	800001*	910103	910203	918001	918002	912005	912006	913008	914029	915134	916094	917059		528-142		
HITACHI	EX220		SEALED	1.496	8.346	2.329	5.728	7.480	ADJ	800001*			918001	918002	912001	912002	913028	914042	915042	916194	917059		528-150	528-144	
HITACHI	EX300		SEALED	1.750	9.650	2.624	6.240	8.000	8-HOLE	910025	910114	910214	918003	918004	912003	912004	913026	914012	915121	916169	91060	900227	528-143	528-147	
HITACHI	EX400		SEALED	1.875	10.000	2.810	6.950	8.500	8-HOLE	910024	910108	910208	910308	918003	918004	912003	912004	913005	914013	915012	916013	917060	900289	528-143	528-146



**WTC Machinery Corporation
91 Series Track Tooling Chart**

2/13/2024

Make	Model	Comments	Type	Pin Dia.	Pin Length	Bushing Dia.	Bushing Length	Pitch	Jaw Type	Jaw (*qty 2)	Side Plates (2)	Shims(4) Unless Specified	RH Tool Bar	LH Tool Bar	Tool Holder ADJ (2)	Tool Holder Stat (2)	Pin Dissy (2)	Bushing Dissy (2)	Pin Assembly (2)	Bushing Assembly (2)	Shim Group	M.B.A. (2)	Plate for WS-310 (1)	Shim for WS-310 (2)
HITACHI	EX550		SEALED	1.909	11.570	3.031	7.570	9.000	8-HOLE	910016	910108 910208		918003	918004	912003	912004	913022	914107	915087	916124	917060	900290	528-142	528-144
HITACHI	EX700		SEALED	2.185	12.610	3.445	8.500	10.250	8-HOLE	910042	910120 910220		918003	918004	912003	912004	913046	914109	915125	916126	917060	900290	528-142	528-144
HITACHI	EX800		SEALED	2.185	12.610	3.445	8.500	10.250	8-HOLE	910042	910120 910220		918003	918004	912003	912004	913046	914109	915125	916126	917060			
HITACHI	EX90		UNSEALED	1.315	7.283	1.991	4.921	6.736	ADJ	800005*			918001	918002	912001	912002	913054	914064	915223	916068		900248	528-142	
HITACHI	UH083		SALT	1.440	8.110	2.313	5.700	6.909	ADJ	800001*			918001	918002	912005	912006	913019	914032	915042	916145	917059			528-144
HITACHI	UH801		SALT	2.756	14.370	4.252	9.730	12.500	8-HOLE	910005			918006	918006	Not Req	Not Req	913048	914110	915090	916129	617060		528-150	528-144
HITACHI	ZX350		SEALED	1.750	9.650	2.624	6.240	8.000	8-HOLE	910025	910114 910214		918003	918004	912003	912004	913026	914012	915121	916169	91060		528-142	528-148
J.D.	50		SEALED	0.867	4.840	1.379	2.480	5.315	ADJ	910013*			918001	918002	912005	912006	913037	914116	915027	916058	917059		528-142	
J.D.	70		SEALED	1.190	6.102	1.820	4.071	6.063	ADJ	800005*			918001	918002	912005	912006	913031	914035	915025	916175	917059			
J.D.	80		SEALED	0.950	5.157	1.624	3.189	6.062	ADJ	800005*			918001	918002	912005	912006	913080	914144	915074	916230				
J.D.	110		SEALED	1.319	7.008	1.984	4.540	6.750	ADJ	800001*			918001	918002	912005	912006	913027	914034	915002	916174	917059			
J.D.	120		SEALED	1.319	7.008	1.984	4.540	6.750	ADJ	800001*			918001	918002	912005	912006	913027	914034	915002	916174	917059			
J.D.	135		SEALED	1.319	7.008	1.984	4.540	6.750	ADJ	800001*			918001	918002	912005	912006	913027	914034	915002	916174	917059		528-142	
J.D.	350		FLUSH	1.192	5.470	1.752	3.225	5.749	ADJ	800005*			918001	918002	912005	912006	913030	914086	915065	916057	917059	9002014	528-143	528-147
J.D.	370		SEALED	1.873	10.000	2.809	6.968	8.500	8-HOLE	910024	910108 910208	910308	918003	918004	912003	912004	913012	914100	915087	916195	917060		528-142	
J.D.	440		FLUSH	1.004	5.469	1.562	3.225	5.749	ADJ	800005*			918001	918002	912005	912006	913037	914087	915064	916100	917059		528-150	528-146
J.D.	450		FLUSH	1.377	6.080	2.008	3.880	6.290	ADJ	800005*	910104 910204		918001	918002	912005	912006	913031	914091	915056	916099	917059	900223	528-150	528-146
J.D.	450		RECESSED	1.376	6.080	2.008	4.380	6.290	ADJ	800005*	910104 910204		918001	918002	912005	912006	913031	914033	915056	916091	917059	900217	528-142	528-148
J.D.	490		RECESSED	1.320	6.970	1.990	5.000	6.750	ADJ	800001*			918001	918002	912005	912006	913027	914016	915074	916096	917059	900270	528-150	528-144
J.D.	550		SEALED	1.376	6.200	2.128	4.240	6.290	ADJ	800005*			918001	918002	912005	912006	913030	914031	915074	916089	917059	900270	528-150	528-144
J.D.	555		SEALED	1.376	6.200	2.128	4.240	6.290	ADJ	800005*			918001	918002	912005	912006	913030	914031	915074	916089	917059			
J.D.	590	S/N 001787 & UP		1.366	7.598	2.116	5.180	6.750	ADJ	800005*			918001	918002	912005	912006	913053	914064	915228	916275			528-142	
J.D.	655		SALT	1.440	8.110	2.310	5.218	6.991	ADJ	800001*	910119 910219		918001	918002	912005	912006	913008	914032	915042	916162	917059	900248	528-142	
J.D.	655		SEALED	1.440	8.110	2.314	5.700	6.909	ADJ	800001*			918001	918002	912005	912006	913019	914032	915042	916145	917059		528-142	
J.D.	700		SALT	1.440	8.110	2.310	5.218	6.991	ADJ	800001*	910119 910219		918001	918002	912005	912006	913008	914032	915042	916162	917059		528-142	
J.D.	750		SALT	1.440	8.110	2.310	5.218	6.991	ADJ	800001*	910119 910219		918001	918002	912005	912006	913008	914032	915042	916162	917059	900248	528-142	
J.D.	750		SEALED	1.440	8.110	2.314	5.700	6.909	ADJ	800001*			918001	918002	912005	912006	913019	914032	915042	916145	917059		528-142	
J.D.	755		SALT	1.440	8.110	2.310	5.218	6.991	ADJ	800001*	910119 910219		918001	918002	912005	912006	913008	914032	915042	916162	917059	900248	528-142	
J.D.	755		SEALED	1.440	8.110	2.314	5.700	6.909	ADJ	800001*			918001	918002	912005	912006	913019	914032	915042	916145	917059		528-142	
J.D.	790		SEALED	1.496	8.580	2.323	5.430	7.480	ADJ	800001*			918001	918002	912001	912002	913028	914042	915022	916170	917059		528-150	528-144
J.D.	792		SEALED	1.750	9.646	2.618	6.236	8.000	8-HOLE	910025	910114 910214		918003	918004	912003	912004	913026	914012	915121	916169	917060	900234	528-150	528-144
J.D.	850		SEALED	1.750	9.060	2.625	6.378	8.000	8-HOLE	910025	910114 910214	910314	918003	918004	912003	912004	913041	914015	915013	916117	917060		528-143	528-144
J.D.	855		SALT	1.881	9.882	2.811	6.409	8.500	8-HOLE	910024	910108 910208	910308	918003	918004	912003	912004	913005	914006	915006	916006	917060			
J.D.	855		SEALED	1.878	9.902	2.811	6.968	8.500	8-HOLE	910024	910108 910208	910308	918003	918004	912003	912004	913012	914100	915083	916116	917060			
J.D.	890		RECESSED	1.880	9.900	2.800	7.260	8.500	8-HOLE	910024			918003	918004	912003	912004	913012	914022	915227	916128		900227	528-143	528-147
J.D.	890		SEALED	1.878	9.902	2.811	6.968	8.500	8-HOLE	910024	910108 910208	910308	918003	918004	912003	912004	913012	914100	915083	916116	917060	900227	528-143	528-147
J.D.	990		SEALED	1.878	9.902	2.811	6.968	8.500	8-HOLE	910024	910108 910208	910308	918003	918004	912003	912004	913012	914100	915083	916116	917060			
J.D.	1280	EXC		1.439	8.110	2.313	5.917	6.900	ADJ	800008			918001	918002	912005	912006	913032	914097	915229	916276			528-142	
J.D.	2010	S/N 42001 & UP	FLUSH	1.192	5.470	1.752	3.225	5.749	ADJ	800005*			918001	918002	912005	912006	913030	914086	915065	916057	917059		528-142	
J.D.	2010	S/N 42000 & DN	FLUSH	1.004	5.469	1.562	3.225	5.749	ADJ	800005*			918001	918002	912005	912006	913037	914087	915064	916100	917059			
J.D.	1050C			2.000	10.310	3.000	6.380	8.500	8-HOLE	910024	910108 910208		918003	918004	912003	912004	913045	914108	915172	916235	917060			
J.D.	1050J			2.000	10.310	3.000	6.380	8.500	8-HOLE	910024	910108 910208		918003	918004	912003	912004	913045	914108	915172	916235	917060			
J.D.	1050K		SALT	1.878	9.921	2.938	6.406	8.500	8-HOLE	910024	910108 910208		918003	918004	912003	912004	913011	914001	915102	916302				



WTC Machinery Corporation
91 Series Track Tooling Chart

2/13/2024

Make	Model	Comments	Type	Pin Dia.	Pin Length	Bushing Dia.	Bushing Length	Pitch	Jaw Type	Jaw (*qty 2)	Side Plates (2)	Shims(4) Unless Specified	RH Tool Bar	LH Tool Bar	Tool Holder ADJ (2)	Tool Holder Stat (2)	Pin Dissy (2)	Bushing Dissy (2)	Pin Assembly (2)	Bushing Assembly (2)	Shim Group	M.B.A. (2)	Plate for WS-310 (1)	Shim for WS-310 (2)	
J.D.	1050K	Snap Ring AT468536	SALT	1.878	9.921	2.938	6.406	8.500	8-HOLE	910024			918003	918004	912003	912004	913005	914006	915324	916249	917060				
J.D.	1150D		SALT	1.440	8.110	2.314	5.071	6.678	ADJ	800008			918001	918002	912005	912006	913068	914072	915215	916277					
J.D.	1155D		SALT	1.440	8.110	2.314	5.071	6.678	ADJ	800008			918001	918002	912005	912006	913068	914072	915215	916277			528-142		
J.D.	120 EXC		SEALED	1.300	7.240	1.960	4.880	6.960	ADJ	800001*			918001	918002	912001	912002	913002	914002	915059	916236	917059				
J.D.	120C		SEALED	1.319	7.008	1.984	4.540	6.750	ADJ	800001*			918001	918002	912005	912006	913027	914034	915002	916174	917059		528-142		
J.D.	160CLC		SEALED	1.493	8.340	2.320	5.400	7.480	ADJ	800001*			918001	918002	912001	912002	913033	914071	915252	916191	917059		528-142		
J.D.	160LC		SEALED	1.493	8.366	2.322	5.728	7.480	ADJ	800001*			918001	918002	912001	912002	913028	914042	915042	916194	917059		528-142		
J.D.	190E		SEALED	1.190	6.102	1.820	4.071	6.063	ADJ	800005*			918001	918002	912005	912006	913031	914035	915025	916175	917059				
J.D.	190E			1.190	6.102	1.820	4.071	6.063	ADJ	800005*			918001	918002	912005	912006	913030	914145	915230	916181			528-142		
J.D.	200LC		SEALED	1.493	8.366	2.322	5.728	7.480	ADJ	800001*			918001	918002	912001	912002	913028	914042	915042	916194	917059		528-142		
J.D.	230		SEALED	1.493	8.366	2.322	5.728	7.480	ADJ	800001*			918001	918002	912001	912002	913028	914042	915042	916194	917059		528-142		
J.D.	230CLC		SEALED	1.496	8.583	2.323	5.728	7.480	ADJ	800001*			918001	918002	912001	912002	913032	914042	915023	916094	917059		528-142		
J.D.	230LC		SEALED	1.496	8.583	2.323	5.728	7.480	ADJ	800001*			918001	918002	912001	912002	913032	914042	915023	916094	917059		528-142		
J.D.	230LC		SEALED	1.493	8.366	2.322	5.728	7.480	ADJ	800001*			918001	918002	912001	912002	913028	914042	915042	916194	917059		528-142		
J.D.	240D		SEALED	1.496	8.583	2.323	5.728	7.480	ADJ	800001*			918001	918002	912001	912002	913032	914042	915023	916094	917059		528-142		
J.D.	250G	Recessed	SEALED	1.496	8.370	2.370	5.250	7.480	ADJ	800001*			918001	918002	912001	912002	913019	914042	915279	916165	917059		528-143	528-147	
J.D.	270CLC		SEALED	1.760	9.520	2.630	6.250	8.500	8-HOLE	910024	910108	910208	910308	918003	918004	912003	912004	913013	914015	915162	916222	917060		528-150	528-144
J.D.	270LC		SEALED	1.750	9.646	2.618	6.236	8.000	8-HOLE	910025	910114	910214		918003	918004	912003	912004	913026	914012	915121	916169	917060		528-142	
J.D.	290D		SEALED	1.181	6.456	1.850	4.000	6.125	ADJ	800005*			918001	918002	912005	912006	913002	914083	915136	916189	917059		528-142		
J.D.	291		SEALED	1.181	6.456	1.850	4.000	6.125	ADJ	800005*			918001	918002	912005	912006	913002	914083	915136	916189	917059		528-143	528-147	
J.D.	330CLC		SEALED	1.760	9.520	2.630	6.250	8.500	8-HOLE	910024	910108	910208	910308	918003	918004	912003	912004	913013	914015	915162	916222	917060		528-143	528-147
J.D.	330LC	EXC	SEALED	1.760	9.520	2.630	6.250	8.500	8-HOLE	910024	910108	910208	910308	918003	918004	912003	912004	913013	914015	915162	916222	917060		528-142	
J.D.	350B		FLUSH	1.192	5.470	1.752	3.225	5.749	ADJ	800005*			918001	918002	912005	912006	913030	914086	915065	916057	917059		528-142		
J.D.	350C		FLUSH	1.192	5.470	1.752	3.225	5.749	ADJ	800005*			918001	918002	912005	912006	913030	914086	915065	916057	917059		528-142		
J.D.	350D		SEALED	1.192	5.380	1.752	3.225	5.749	ADJ	800005*			918001	918002	912005	912006	913002	914066	915027	916176	917059		528-143		
J.D.	350GLC	BERCO	SEALED	1.770	9.500	2.630	6.250	8.500	8-HOLE	910024			918003	918004	912003	912004	913013	914015	915273	916311	917060		528-143		
J.D.	350G		SEALED	1.756	9.527	2.618	6.256	8.500	8-HOLE	910024			918003	918004	912003	912004	913013	914015	915323	916358	917060		528-142		
J.D.	400G		SEALED	1.192	5.380	1.752	3.225	5.749	ADJ	800005*			918001	918002	912005	912006	913002	914066	915027	916176	917059		528-142		
J.D.	420C		FLUSH	1.004	5.469	1.562	3.225	5.749	ADJ	800005*			918001	918002	912005	912006	913037	914087	915064	916100	917059	900223	528-150	528-146	
J.D.	450B		RECESSED	1.376	6.080	2.008	4.380	6.290	ADJ	800005*	910104	910204		918001	918002	912005	912006	913031	914033	915056	916091	917059	900223	528-150	528-146
J.D.	450C	S/N 216337 & DN	RECESSED	1.376	6.080	2.008	4.380	6.290	ADJ	800005*	910104	910204		918001	918002	912005	912006	913031	914033	915056	916091	917059		528-150	528-146
J.D.	450C		SALT	1.256	6.378	2.008	3.952	6.290	ADJ	800005*			918001	918002	912005	912006	913031	914064	915014	916173	917059	900270	528-150	528-144	
J.D.	450C	S/N 216338 & UP	SEALED	1.376	6.200	2.128	4.240	6.290	ADJ	800005*			918001	918002	912005	912006	913030	914031	915074	916089	917059	9002014	528-143	528-147	
J.D.	450CLC		SEALED	1.873	10.000	2.809	6.968	8.500	8-HOLE	910024	910108	910208	910308	918003	918004	912003	912004	913012	914100	915087	916195	917060		528-150	528-146
J.D.	450D		SALT	1.256	6.378	2.008	3.952	6.290	ADJ	800005*			918001	918002	912005	912006	913031	914064	915014	916173	917059	900254	528-150	528-146	
J.D.	450D		SEALED	1.259	6.358	2.008	4.390	6.290	ADJ	800005*			918001	918002	912005	912006	913027	914016	915046	916144	917059	900254	528-150	528-146	
J.D.	450E		SEALED	1.259	6.358	2.008	4.390	6.290	ADJ	800005*			918001	918002	912005	912006	913027	914016	915046	916144	917059		528-150	528-146	
J.D.	450G		SALT	1.256	6.378	2.008	3.952	6.290	ADJ	800005*			918001	918002	912005	912006	913031	914064	915014	916173	917059	900254	528-150	528-146	
J.D.	450G		SEALED	1.259	6.358	2.008	4.390	6.290	ADJ	800005*			918001	918002	912005	912006	913027	914016	915046	916144	917059		528-150	528-146	
J.D.	450H		SALT	1.256	6.378	2.008	3.952	6.290	ADJ	800005*			918001	918002	912005	912006	913031	914064	915014	916173	917059	900254	528-150	528-146	
J.D.	450H		SEALED	1.259	6.358	2.008	4.390	6.290	ADJ	800005*			918001	918002	912005	912006	913027	914016	915046	916144	917059		528-150	528-146	
J.D.	450J		SALT	1.256	6.378	2.008	3.952	6.290	ADJ	800005*			918001	918002	912005	912006	913031	914064	915014	916173	917059		528-142	528-146	
J.D.	450J	Max Life Undercarriage	SALT	1.310	7.240	2.120	4.430	6.734	ADJ	800001*			918001	918002	912005	912006	913020	914091	915089	916168	917059	900254	528-150	528-146	



WTC Machinery Corporation
91 Series Track Tooling Chart

Make	Model	Comments	Type	Pin Dia.	Pin Length	Bushing Dia.	Bushing Length	Pitch	Jaw Type	Jaw (*qty 2)	Side Plates (2)	Shims(4) Unless Specified	RH Tool Bar	LH Tool Bar	Tool Holder ADJ (2)	Tool Holder Stat (2)	Pin Dissy (2)	Bushing Dissy (2)	Pin Assembly (2)	Bushing Assembly (2)	Shim Group	M.B.A. (2)	Plate for WS-310 (1)	Shim for WS-310 (2)
J.D.	450J		SEALED	1.259	6.358	2.008	4.390	6.290	ADJ	800005*			918001	918002	912005	912006	913027	914016	915046	916144	917059	9002014	528-143	528-147
J.D.	450LC		SEALED	1.873	10.000	2.809	6.968	8.500	8-HOLE	910024	910108 910208	910308	918003	918004	912003	912004	913012	914100	915087	916195	917060	900254	528-150	528-146
J.D.	455D		SEALED	1.259	6.358	2.008	4.390	6.290	ADJ	800005*			918001	918002	912005	912006	913027	914016	915046	916144	917059		528-150	528-146
J.D.	455G		SALT	1.256	6.378	2.008	3.952	6.290	ADJ	800005*			918001	918002	912005	912006	913031	914064	915014	916173	917059	900254	528-150	528-146
J.D.	455G		SEALED	1.259	6.358	2.008	4.390	6.290	ADJ	800005*			918001	918002	912005	912006	913027	914016	915046	916144	917059		528-142	528-148
J.D.	470G			1.873	10.000	2.809	6.661	8.500	8-HOLE	910024			918003	918004	912003	912004	913110	914100	915345	916229	917060		528-150	528-146
J.D.	490D		SEALED	1.319	7.008	1.984	4.540	6.750	ADJ	800001*			918001	918002	912005	912006	913027	914034	915002	916174	917059		528-142	528-146
J.D.	490E		SEALED	1.330	6.700	1.990	4.618	6.730	ADJ	800001*			918001	918002	912005	912006	913027	914016	915166	916226	917059		528-150	528-146
J.D.	550A		SALT	1.256	6.378	2.008	3.952	6.290	ADJ	800005*			918001	918002	912005	912006	913031	914064	915014	916173	917059	900254	528-150	528-146
J.D.	550A		SEALED	1.259	6.358	2.008	4.390	6.290	ADJ	800005*			918001	918002	912005	912006	913027	914016	915046	916144	917059		528-150	528-146
J.D.	550B		SALT	1.256	6.378	2.008	3.952	6.290	ADJ	800005*			918001	918002	912005	912006	913031	914064	915014	916173	917059	900254	528-150	528-146
J.D.	550B		SEALED	1.259	6.358	2.008	4.390	6.290	ADJ	800005*			918001	918002	912005	912006	913027	914016	915046	916144	917059		528-150	528-146
J.D.	550G		SALT	1.256	6.378	2.008	3.952	6.290	ADJ	800005*			918001	918002	912005	912006	913031	914064	915014	916173	917059	900254	528-150	528-146
J.D.	550G		SEALED	1.259	6.358	2.008	4.390	6.290	ADJ	800005*			918001	918002	912005	912006	913027	914016	915046	916144	917059		528-150	528-146
J.D.	550H		SALT	1.256	6.378	2.008	3.952	6.290	ADJ	800005*			918001	918002	912005	912006	913031	914064	915014	916173	917059	900254	528-150	528-146
J.D.	550H		SEALED	1.259	6.358	2.008	4.390	6.290	ADJ	800005*			918001	918002	912005	912006	913027	914016	915046	916144	917059		528-150	528-146
J.D.	550J		SALT	1.256	6.378	2.008	3.952	6.290	ADJ	800005*			918001	918002	912005	912006	913031	914064	915014	916173	917059		528-142	528-146
J.D.	550J	Max Life Undercarriage	SALT	1.310	7.240	2.120	4.430	6.734	ADJ	800001*			918001	918002	912005	912006	913020	914091	915089	916168	917059		528-150	528-146
J.D.	550K		SALT	1.256	6.378	2.008	3.952	6.290	ADJ	800005*			918001	918002	912005	912006	913031	914064	915014	916173	917059		528-142	528-146
J.D.	550K	Max Life Undercarriage	SALT	1.310	7.240	2.120	4.430	6.734	ADJ	800001*			918001	918002	912005	912006	913020	914091	915089	916168	917059		528-142	528-146
J.D.	555G		SALT	1.310	7.240	2.120	4.430	6.734	ADJ	800001*			918001	918002	912005	912006	913020	914091	915089	916168	917059	900279	528-142	528-146
J.D.	555G		SEALED	1.318	7.224	2.119	4.944	6.734	ADJ	800001*			918001	918002	912005	912006	913020	914011	915089	916061	917059	9002012	528-142	528-144
J.D.	590D		SEALED	1.378	7.598	2.116	4.819	6.750	ADJ	800001*	910103 910203		918001	918002	912005	912006	913019	914011	915002	916192	917059			
J.D.	590D	S/N 1787 & UP	SEALED	1.366	7.598	2.116	5.180	6.750	ADJ	800008			918001	918002	912005	912006	913053	914064	915142	916275			528-142	528-146
J.D.	650G		SALT	1.310	7.240	2.120	4.430	6.734	ADJ	800001*			918001	918002	912005	912006	913020	914091	915089	916168	917059	900279	528-142	528-146
J.D.	650G		SEALED	1.318	7.224	2.119	4.944	6.734	ADJ	800001*			918001	918002	912005	912006	913020	914011	915089	916061	917059		528-142	528-146
J.D.	650H		SALT	1.310	7.240	2.120	4.430	6.734	ADJ	800001*			918001	918002	912005	912006	913020	914091	915089	916168	917059	900279	528-142	528-146
J.D.	650H		SEALED	1.318	7.224	2.119	4.944	6.734	ADJ	800001*			918001	918002	912005	912006	913020	914011	915089	916061	917059		528-142	528-146
J.D.	650J		SALT	1.310	7.240	2.120	4.430	6.734	ADJ	800001*			918001	918002	912005	912006	913020	914091	915089	916168	917059	900279	528-142	528-146
J.D.	650J		SEALED	1.318	7.224	2.119	4.944	6.734	ADJ	800001*			918001	918002	912005	912006	913020	914011	915089	916061	917059		528-142	528-146
J.D.	650K		SALT	1.310	7.240	2.120	4.430	6.734	ADJ	800001*			918001	918002	912005	912006	913020	914091	915089	916168	917059			
J.D.	650K	Max Life Undercarriage	SALT	1.310	7.386	2.236	4.543	6.750	ADJ	800001*			918001	918002	912005	912006	913093	914002	915269	916304			528-142	
J.D.	655B		SALT	1.440	8.110	2.310	5.218	6.991	ADJ	800001*	910119 910219		918001	918002	912005	912006	913008	914032	915042	916162	917059	900217	528-142	528-148
J.D.	690A		RECESSED	1.320	6.970	1.990	5.000	6.750	ADJ	800001*			918001	918002	912005	912006	913027	914016	915074	916096	917059	900217	528-142	528-148
J.D.	690B		RECESSED	1.320	6.970	1.990	5.000	6.750	ADJ	800001*			918001	918002	912005	912006	913027	914016	915074	916096	917059	900217	528-142	528-148
J.D.	690C		RECESSED	1.320	6.970	1.990	5.000	6.750	ADJ	800001*			918001	918002	912005	912006	913027	914016	915074	916096	917059	900217	528-142	528-148
J.D.	690D		RECESSED	1.320	6.970	1.990	5.000	6.750	ADJ	800001*			918001	918002	912005	912006	913027	914016	915074	916096	917059	9002013	528-142	
J.D.	690E		SEALED	1.437	8.150	2.311	5.835	7.480	ADJ	800001*			918001	918002	912001	912002	913033	914042	915079	916193	917059	9002013	528-142	
J.D.	690ELC		SEALED	1.437	8.150	2.311	5.835	7.480	ADJ	800001*			918001	918002	912001	912002	913033	914042	915079	916193	917059	900217	528-142	528-148
J.D.	693B		RECESSED	1.320	6.970	1.990	5.000	6.750	ADJ	800001*			918001	918002	912005	912006	913027	914016	915074	916096	917059	900248	528-142	
J.D.	693D		SEALED	1.440	8.110	2.314	5.700	6.909	ADJ	800001*			918001	918002	912005	912006	913019	914032	915042	916145	917059		528-142	
J.D.	700H	Link T70316 & T70317	SALT	1.440	8.110	2.310	5.213	6.991	ADJ	800001*	910119 910219		918001	918002	912005	912006	913008	914032	915270	916074	917059		528-142	
J.D.	700J		SALT	1.440	8.110	2.410	5.218	6.991	ADJ	800001*	910119 910219		918001	918002	912005	912006	913008	914032	915042	916162	917059			



WTC Machinery Corporation
91 Series Track Tooling Chart

2/13/2024

Make	Model	Comments	Type	Pin Dia.	Pin Length	Bushing Dia.	Bushing Length	Pitch	Jaw Type	Jaw (*qty 2)	Side Plates (2)	Shims(4) Unless Specified	RH Tool Bar	LH Tool Bar	Tool Holder ADJ (2)	Tool Holder Stat (2)	Pin Dissy (2)	Bushing Dissy (2)	Pin Assembly (2)	Bushing Assembly (2)	Shim Group	M.B.A. (2)	Plate for WS-310 (1)	Shim for WS-310 (2)	
J.D.	700J	Max Life Undercarriage	SALT	1.440	8.620	2.410	5.610	7.480	ADJ	800001*	910119	910219	910319	918001	918002	912005	912006	913056	914071	915272	916305	917059		528-142	
J.D.	700J	Link T70316 & T70317	SALT	1.440	8.110	2.310	5.213	6.909	ADJ	800001*	910119	910219		918001	918002	912005	912006	913008	914032	915270	916074	917059		528-142	
J.D.	700J	Link T149070 & T149071	SALT	1.440	8.110	2.415	5.213	6.909	ADJ	800001*	910119	910219		918001	918002	912005	912006	913008	914032	915163	916137	917059		528-142	
J.D.	700K	Max Life Undercarriage	SALT	1.440	8.110	2.410	5.218	6.991	ADJ	800001*	910119	910219		918001	918002	912005	912006	913008	914032	915042	916162	917059			
J.D.	700K	Max Life Undercarriage	SALT	1.440	8.620	2.410	5.610	7.480	ADJ	800001*	910119	910219	910319	918001	918002	912005	912006	913056	914071	915272	916305	917059		528-142	
J.D.	70D		SEALED	1.190	6.102	1.820	4.071	6.063	ADJ	800005*				918001	918002	912005	912006	913031	914035	915025	916175	917059		528-142	
J.D.	750B		SALT	1.440	8.110	2.310	5.218	6.991	ADJ	800001*	910119	910219		918001	918002	912005	912006	913008	914032	915042	916162	917059	900248	528-142	
J.D.	750B		SEALED	1.440	8.110	2.314	5.700	6.909	ADJ	800001*				918001	918002	912005	912006	913019	914032	915042	916145	917059		528-150	528-147
J.D.	750C		SALT	1.437	8.125	2.402	5.213	7.480	ADJ	800001*	910119	910219		918001	918002	912005	912006	913008	914070	915052	916074	917059		528-142	
J.D.	750J		SALT	1.496	9.390	2.480	5.300	7.480	ADJ	800001*				918001	918002	912001	912002	913019	914133	915080	916242	917059		528-142	
J.D.	750J	Berco Extended Pin Boss	SALT	1.496	9.390	2.496/2.56	5.300	7.480	ADJ	800001*	910103	910203	910303	918001	918002	912001	912002	913019	914154	915080	916307	917059		528-142	
J.D.	750K		SALT	1.496	9.390	2.480	5.300	7.480	ADJ	800001*				918001	918002	912001	912002	913019	914133	915080	916242	917059		528-142	
J.D.	750K	Berco Extended Pin Boss	SALT	1.496	9.390	2.496/2.56	5.300	7.480	ADJ	800001*	910103	910203	910303	918001	918002	912001	912002	913019	914154	915080	916307	917059	900234	528-150	528-144
J.D.	755A		SEALED	1.753	9.130	2.620	6.366	7.984	8-HOLE	910025	910114	910214	910314	918003	918004	912003	912004	913041	914015	915099	916116	917060	900248	528-142	
J.D.	755B		SEALED	1.440	8.110	2.314	5.700	6.909	ADJ	800001*				918001	918002	912005	912006	913019	914032	915042	916145	917059		528-143	528-144
J.D.	755C		SALT	1.753	9.060	2.621	5.790	7.984	8-HOLE	910025	910114	910214	910314	918003	918004	912003	912004	913013	914015	915106	916016	917060	900234	528-150	528-144
J.D.	755C		SEALED	1.750	9.060	2.625	6.378	8.000	8-HOLE	910025	910114	910214	910314	918003	918004	912003	912004	913041	914015	915013	916117	917060		528-142	
J.D.	790D		SEALED	1.496	8.583	2.323	5.728	7.480	ADJ	800001*				918001	918002	912001	912002	913032	914042	915023	916094	917059		528-142	
J.D.	790E		SEALED	1.493	8.366	2.322	5.728	7.480	ADJ	800001*				918001	918002	912001	912002	913028	914042	915042	916194	917059		528-142	
J.D.	790ELC		SEALED	1.493	8.366	2.322	5.728	7.480	ADJ	800001*				918001	918002	912001	912002	913028	914042	915042	916194	917059		528-150	528-144
J.D.	792D		SEALED	1.750	9.646	2.618	6.236	8.000	8-HOLE	910025	910114	910214		918003	918004	912003	912004	913026	914012	915121	916169	917060			
J.D.	80C		SEALED	0.950	5.157	1.624	3.189	6.062	ADJ	800005*				918001	918002	912005	912006	913080	914144	915074	916230			528-143	528-144
J.D.	850B		SALT	1.753	9.060	2.621	5.790	7.984	8-HOLE	910025	910114	910214	910314	918003	918004	912003	912004	913013	914015	915106	916016	917060	900234	528-150	528-144
J.D.	850B		SEALED	1.753	9.130	2.620	6.366	7.984	8-HOLE	910025	910114	910214	910314	918003	918004	912003	912004	913041	914015	915099	916116	917060		528-143	528-144
J.D.	850C		SALT	1.753	9.060	2.621	5.790	7.984	8-HOLE	910025	910114	910214	910314	918003	918004	912003	912004	913013	914015	915106	916016	917060	900234	528-150	528-144
J.D.	850C		SEALED	1.753	9.060	2.625	6.378	8.000	8-HOLE	910025	910114	910214	910314	918003	918004	912003	912004	913041	914015	915013	916117	917060			
J.D.	850J		SALT	1.750	10.315	2.756	5.882	8.000	8-HOLE	910025	910114	910214	910314	918003	918004	912003	912004	913063	914015	915175	916240	917060			
J.D.	850J	Berco Extended Pin Boss	SALT	1.750	10.315	2.776/2.87	5.882	8.000	8-HOLE	910025	910114	910214	910314	918003	918004	912003	912004	913063	914155	915280	916240	917060			
J.D.	850K		SALT	1.750	10.315	2.756	5.882	8.000	8-HOLE	910025	910114	910214	910314	918003	918004	912003	912004	913063	914015	915175	916240	917060			
J.D.	850K	Berco Extended Pin Boss	SALT	1.750	10.315	2.776/2.87	5.882	8.000	8-HOLE	910025	910114	910214	910314	918003	918004	912003	912004	913063	914155	915280	916240	917060	900227	528-143	528-147
J.D.	890A		SEALED	1.878	9.902	2.811	6.968	8.500	8-HOLE	910024	910108	910208	910308	918003	918004	912003	912004	913012	914100	915083	916116	917060		528-150	528-144
J.D.	892D		SEALED	1.750	9.646	2.618	6.236	8.000	8-HOLE	910025	910114	910214		918003	918004	912003	912004	913026	914012	915121	916169	917060		528-150	528-144
J.D.	892E		SEALED	1.750	9.646	2.618	6.236	8.000	8-HOLE	910025	910114	910214		918003	918004	912003	912004	913026	914012	915121	916169	917060			
J.D.	950J		SALT	1.870	10.860	3.090	6.140	8.500	8-HOLE	910024	910108	910208		918003	918004	912003	912004	913005	914139	915189	916249	917060			
J.D.	950K	Berco Extended Pin Boss	SALT	1.875	10.866	3.091	6.138	8.500	8-HOLE	910024	910108	910208		918003	918004	912003	912004	913005	914139	915329	916249	917060	9002014	528-143	528-147
J.D.	992D		SEALED	1.873	10.000	2.809	6.968	8.500	8-HOLE	910024	910108	910208	910308	918003	918004	912003	912004	913012	914100	915087	916195	917060	9002014	528-143	528-147
J.D.	992E		SEALED	1.873	10.000	2.809	6.968	8.500	8-HOLE	910024	910108	910208	910308	918003	918004	912003	912004	913012	914100	915087	916195	917060		528-142	528-148
J.D.	EX120		SEALED	1.319	7.008	1.984	4.540	6.750	ADJ	800001*				918001	918002	912005	912006	913027	914034	915002	916174	917059		528-142	528-146
J.D.	EX120-2		SEALED	1.330	6.700	1.990	4.618	6.730	ADJ	800001*				918001	918002	912005	912006	913027	914016	915166	916226	917059	9002012	528-142	528-144
J.D.	EX150		SEALED	1.378	7.598	2.116	4.819	6.750	ADJ	800001*	910103	910203		918001	918002	912005	912006	913019	914011	915002	916192	917059	900248	528-142	
J.D.	JD700		SEALED	1.440	8.110	2.314	5.700	6.909	ADJ	800001*				918001	918002	912005	912006	913019	914032	915042	916145	917059		528-142	
J.D.	JD700HLGP		SALT	1.440	8.110	2.440	5.218	6.991	ADJ	800001*	910119	910219		918001	918002	912005	912006	913008	914032	915042	916162	917059	900248	528-142	
J.D.	JD700HLGP		SEALED	1.440	8.110	2.440	5.700	6.909	ADJ	800001*				918001	918002	912005	912006	913019	914032	915042	916145	917059		528-142	



**WTC Machinery Corporation
91 Series Track Tooling Chart**

2/13/2024

Make	Model	Comments	Type	Pin Dia.	Pin Length	Bushing Dia.	Bushing Length	Pitch	Jaw Type	Jaw (*qty 2)	Side Plates (2)	Shims(4) Unless Specified	RH Tool Bar	LH Tool Bar	Tool Holder ADJ (2)	Tool Holder Stat (2)	Pin Dissy (2)	Bushing Dissy (2)	Pin Assembly (2)	Bushing Assembly (2)	Shim Group	M.B.A. (2)	Plate for WS-310 (1)	Shim for WS-310 (2)	
KOBELCO	K909A		UNSEALED	1.496	8.580	2.171	5.980	7.480	ADJ	800001*	910103	910203		918001	918002	912005	912006	913029	914072	915023	916040	917059			
KOBELCO	SK135SR-2	Berco LK 49A	SEALED	1.313	7.008	2.000	4.811	6.750	ADJ	800001*				918001	918002	912001	912002	913002	914002	915140	916367	917059			
KOM	D455A-1	S/N 1090-1333	SALT	2.760	14.370	4.449	9.760	12.500	8-HOLE	910005				918006	918006	Not Req	Not Req	913048	914110	915090	916129	917060			
KOM	EX1800-PC1800	133 mm	SALT	2.760	13.780	4.606	9.690	12.510	8-HOLE	910005				918006	918006	Not Req	Not Req	913050	914110	915107	916183	917060	900267	528-143	528-147
KOM	D120-15		SEALED	1.988	11.300	2.854	8.110	9.000	8-HOLE	910016	910108	910208	910308	918003	918004	912003	912004	913022	914077	915055	916083	917060	900267	528-143	528-147
KOM	D120-18		SEALED	1.988	11.300	2.854	8.110	9.000	8-HOLE	910016	910108	910208	910308	918003	918004	912003	912004	913022	914077	915055	916083	917060	900267	528-143	528-147
KOM	D120-8		SEALED	1.988	11.300	2.854	8.110	9.000	8-HOLE	910016	910108	910208	910308	918003	918004	912003	912004	913022	914077	915055	916083	917060			
KOM	D125-18		RECESSED	1.988	11.300	2.854	8.110	9.000	8-HOLE	910016				918003	918004	912003	912004	913023	914103	915206	916280				
KOM	D135A-1			1.909	11.575	3.110	7.398	9.000	8-HOLE	910016				918003	918004	912003	912004	913011	914103		916130		900289	528-143	528-146
KOM	D150-1		SALT	1.909	11.570	3.031	7.570	9.000	8-HOLE	910016	910108	910208		918003	918004	912003	912004	913045	914108	915055	916125	917060	900284	528-143	528-147
KOM	D150-1	S/N 6842 & DN	SEALED	1.988	11.300	2.854	7.540	9.000	8-HOLE	910016	910108	910208	910308	918003	918004	912003	912004	913023	914102	915055	916120	917060	900286	528-143	528-146
KOM	D150-1	S/N 6843 & UP	SEALED	1.929	11.540	3.031	7.560	9.000	8-HOLE	910016	910108	910208		915003	918004	912003	912004	913044	914104	915086	916121	917060	900285	528-143	528-146
KOM	D150-1	S/N 6842 & DN	UNSEALED	1.988	11.299	2.854	8.110	9.000	8-HOLE	910016	910108	910208	910308	918003	918004	912003	912004	913023	914103	915055	916083	917060	900287	528-143	528-146
KOM	D150-1	S/N 6843 & UP	UNSEALED	1.929	11.535	3.031	8.267	9.000	8-HOLE	910016	910108	910208		918003	918004	912003	912004	913045	914105	915086	916122	917060	900289	528-143	528-146
KOM	D155		SALT	1.909	11.570	3.031	7.570	9.000	8-HOLE	910016	910108	910208		918003	918004	912003	912004	913045	914108	915055	916125	917060	900267	528-143	528-147
KOM	D155		SEALED	1.988	11.300	2.854	8.110	9.000	8-HOLE	910016	910108	910208	910308	918003	918004	912003	912004	913022	914077	915055	916083	917060	900289	528-143	528-146
KOM	D155-1		SALT	1.909	11.570	3.031	7.570	9.000	8-HOLE	910016	910108	910208		918003	918004	912003	912004	913045	914108	915055	916125	917060	900284	528-143	528-147
KOM	D155-1	S/N 6842 & DN	SEALED	1.988	11.300	2.854	7.540	9.000	8-HOLE	910016	910108	910208	910308	918003	918004	912003	912004	913023	914102	915055	916120	917060	900286	528-143	528-146
KOM	D155-1	S/N 6843 & UP	SEALED	1.929	11.540	3.031	7.560	9.000	8-HOLE	910016	910108	910208		918003	918004	912003	912004	913044	914104	915086	916121	917060	900287	528-143	528-146
KOM	D155-1	S/N 6843 & UP	UNSEALED	1.929	11.535	3.031	8.267	9.000	8-HOLE	910016	910108	910208		918003	918004	912003	912004	913045	914105	915086	916122	917060		528-143	528-146
KOM	D155-1	S/N 19065 & UP	SALT	1.909	11.574	3.110	7.398	9.000	8-HOLE	910016	910108	910208		918003	918004	912003	912004	913049	914107	915087	916139	917060	900289	528-143	528-146
KOM	D155-1	S/N 10263-19064	SEALED	1.907	11.575	3.110	7.571	9.000	8-HOLE	910016	910108	910208		918003	918004	912003	912004	913022	914107	915087	916124	917060	900285	528-143	528-146
KOM	D155-1	S/N 6842 & DN	UNSEALED	1.988	11.299	2.854	8.110	9.000	8-HOLE	910016	910108	910208	910308	918003	918004	912003	912004	913023	914103	915055	916083	917060	900289	528-143	528-146
KOM	D155A		SALT	1.909	11.570	3.031	7.570	9.000	8-HOLE	910016	910108	910208		918003	918004	912003	912004	913045	914108	915055	916125	917060	900288	528-143	528-146
KOM	D155A-1	S/N 2540-10262	SEALED	1.909	11.300	3.011	7.540	9.000	8-HOLE	910016	910108	910208		918003	918004	912003	912004	913023	914102	915055	916123	917060		528-143	528-146
KOM	D155A-2		SALT	1.909	11.574	3.110	7.398	9.000	8-HOLE	910016	910108	910208		918003	918004	912003	912004	913049	914107	915087	916139	917060		528-143	528-146
KOM	D155A-2		SEALED	1.909	11.480	3.030	7.140	9.000	8-HOLE	910016	910108	910208		918003	918004	912003	912004	913049	914134	915087	916218	917060		528-143	528-146
KOM	D155A-5		SEALED	1.909	11.480	3.030	7.390	9.000	8-HOLE	910016	910108	910208		918003	918004	912003	912004	913022	914107	915167	916229	917060		528-143	528-146
KOM	D155AX-3		SEALED	1.909	11.480	3.030	7.390	9.000	8-HOLE	910016	910108	910208		918003	918004	912003	912004	913022	914107	915167	916229	917060		528-143	528-146
KOM	D155AX-5		SEALED	1.909	11.480	3.030	7.390	9.000	8-HOLE	910016	910108	910208		918003	918004	912003	912004	913022	914107	915167	916229	917060		528-143	528-146
KOM	D155AX-6		SALT	1.933	11.417	3.051	7.402	9.055	8-HOLE	910016	910139	910239		918003	918004	912003	912004	913045	914186	915330	916363	917060		528-143	528-146
KOM	D155AX-7		SALT	1.933	11.417	3.051	7.402	9.055	8-HOLE	910016	910139	910239		918003	918004	912003	912004	913045	914186	915330	916363	917060		528-150	528-147
KOM	D20		SALT	0.945	5.550	1.600	3.020	5.310	ADJ	910013*				918001	918002	912005	912006	913052	914065	915123	916115	917059	900298	528-150	528-147
KOM	D20		SEALED	0.945	5.630	1.614	3.185	5.310	ADJ	910013*				918001	918002	912005	912006	913052	914065	915124	916172	917059		528-150	528-147
KOM	D21		SALT	0.945	5.550	1.600	3.020	5.310	ADJ	910013*				918001	918002	912005	912006	913052	914065	915123	916115	917059	900298	528-150	528-147
KOM	D21		SEALED	0.945	5.630	1.614	3.185	5.310	ADJ	910013*				918001	918002	912005	912006	913052	914065	915124	916172	917059	900268	528-142	528-144
KOM	D250		RECESSED	2.165	12.323	3.110	9.016	10.250	8-HOLE	910042	910120	910220		918003	918004	912003	912004	913025	914075	915054	916075	917060		528-143	528-145
KOM	D275A-2		SALT	2.240	12.610	3.648	8.195	10.250	8-HOLE	910042	910120	910220		918003	918004	912003	912004	913035	914109	915063	916160	917060			
KOM	D275A-5		SALT	2.185	11.400	3.543	7.738	10.250	8-HOLE					918003	918004	912003	912004	913035	914019	915063	916160		900277	528-142	528-144
KOM	D30-15		SEALED	1.102	6.594	1.772	3.716	6.063	ADJ	800005*				918001	918002	912005	912006	913034	914082	915057	916078	917059	900277	528-142	528-144
KOM	D30A		SEALED	1.102	6.594	1.772	3.716	6.063	ADJ	800005*				918001	918002	912005	912006	913034	914082	915057	916078	917059	900263	528-142	528-144
KOM	D30S-1		SEALED	1.094	6.590	1.772	3.720	6.060	ADJ	800005*				918001	918002	912005	912006	913034	914083	915058	916082	917059	900277	528-142	528-144
KOM	D30S-15	S/N 5016 & UP	SEALED	1.102	6.594	1.772	3.716	6.063	ADJ	800005*				918001	918002	912005	912006	913034	914082	915057	916078	917059	900202	528-142	



WTC Machinery Corporation
91 Series Track Tooling Chart

2/13/2024

Make	Model	Comments	Type	Pin Dia.	Pin Length	Bushing Dia.	Bushing Length	Pitch	Jaw Type	Jaw (*qty 2)	Side Plates (2)	Shims(4) Unless Specified	RH Tool Bar	LH Tool Bar	Tool Holder ADJ (2)	Tool Holder Stat (2)	Pin Dissy (2)	Bushing Dissy (2)	Pin Assembly (2)	Bushing Assembly (2)	Shim Group	M.B.A. (2)	Plate for WS-310 (1)	Shim for WS-310 (2)	
KOM	D31		UNSEALED	1.180	6.690	1.820	4.290	6.060	ADJ	800005*			918001	918002	912005	912006	913031	914069	915069	916018	917059	900277	528-142	528-144	
KOM	D31-15		SEALED	1.102	6.594	1.772	3.716	6.063	ADJ	800005*			918001	918002	912005	912006	913034	914082	915057	916078	917059		528-142		
KOM	D31-16		SALT	1.102	6.693	1.850	3.634	6.063	ADJ	800005*			918001	918002	912005	912006	913034	914083	915058	916143	917059	900277	528-142	528-144	
KOM	D31-16		SEALED	1.102	6.693	1.772	3.716	6.063	ADJ	800005*			918001	918002	912005	912006	913034	914083	915058	916078	917059		528-142		
KOM	D31E		SALT	1.102	6.693	1.850	3.634	6.063	ADJ	800005*			918001	918002	912005	912006	913034	914083	915058	916143	917059	900277	528-142	528-144	
KOM	D31E-12		SEALED	1.102	6.594	1.772	3.716	6.063	ADJ	800005*			918001	918002	912005	912006	913034	914082	915057	916078	917059		528-142		
KOM	D31P		SALT	1.102	6.693	1.850	3.634	6.063	ADJ	800005*			918001	918002	912005	912006	913034	914083	915058	916143	917059	900202	528-142		
KOM	D31P		UNSEALED	1.180	6.690	1.820	4.290	6.060	ADJ	800005*			918001	918002	912005	912006	913031	914069	915069	916018	917059		528-142		
KOM	D31P-20		SALT	1.102	6.693	1.850	3.634	6.063	ADJ	800005*			918001	918002	912005	912006	913034	914083	915058	916143	917059		528-142		
KOM	D31PL		SALT	1.102	6.693	1.850	3.634	6.063	ADJ	800005*			918001	918002	912005	912006	913034	914083	915058	916143	917059		528-142		
KOM	D31PLL	S/N 29001 & UP	SALT	1.102	6.693	1.850	3.634	6.063	ADJ	800005*			918001	918002	912005	912006	913034	914083	915058	916143	917059		528-142		
KOM	D31PX		SALT	1.102	6.693	1.850	3.634	6.063	ADJ	800005*			918001	918002	912005	912006	913034	914083	915058	916143	917059		528-142		
KOM	D31S		SALT	1.102	6.693	1.850	3.634	6.063	ADJ	800005*			918001	918002	912005	912006	913034	914083	915058	916143	917059		528-142	528-144	
KOM	D355		FLUSH	2.244	12.579	3.346	8.031	10.250	8-HOLE	910042	910120	910220	918003	918004	912003	912004	913025	914078	915053	916076	917060		528-143		
KOM	D355		SALT	2.185	12.736	3.445	8.333	10.250	8-HOLE	910042	910120	910220	918003	918004	912003	912004	913047	914109	915091	916135	917060	900290	528-142	528-144	
KOM	D355A-1	S/N 1010-1631	SEALED	2.244	12.578	3.346	8.496	10.250	8-HOLE	910042	910120	910220	918003	918004	912003	912004	913046	914109	915088	916126	917060		528-143		
KOM	D355A-3	S/N 4234 & UP	SALT	2.185	12.736	3.445	8.333	10.250	8-HOLE	910042	910120	910220	918003	918004	912003	912004	913047	914109	915091	916135	917060	900290	528-143	528-145	
KOM	D355A-3	S/N 1632-4233	SEALED	2.185	12.736	3.346	8.503	10.250	8-HOLE	910042	910120	910220	918003	918004	912003	912004	913047	914109	915091	916134	917060		528-143		
KOM	D355A-5	S/N 4234 & UP	SALT	2.185	12.736	3.445	8.333	10.250	8-HOLE	910042	910120	910220	918003	918004	912003	912004	913047	914109	915091	916135	917060		528-142		
KOM	D37		SALT	1.102	6.693	1.850	3.634	6.063	ADJ	800005*			918001	918002	912005	912006	913034	914083	915058	916143	917059		528-143	528-145	
KOM	D375		SALT	2.240	12.610	3.648	8.195	10.250	8-HOLE	910042	910120	910220	918003	918004	912003	912004	913035	914109	915063	916160	917060		528-143	528-145	
KOM	D375A-1		SALT	2.240	12.610	3.648	8.195	10.250	8-HOLE	910042	910120	910220	918003	918004	912003	912004	913035	914109	915063	916160	917060		528-150	528-145	
KOM	D375A-2		SALT	2.360	12.770	3.860	8.350	11.040	8-HOLE	910028			918003	918004	912003	912004	913050	914115	915131	916184	917060		528-150	528-145	
KOM	D375A-3		SALT	2.360	12.770	3.860	8.350	11.040	8-HOLE	910028			918003	918004	912003	912004	913050	914115	915131	916184	917060		528-150	528-145	
KOM	D375A-5		SALT	2.362	12.770	3.878	8.350	11.040	8-HOLE	910028			918003	918004	912003	912004	913050	914115	915165	916225	917060		528-150	528-145	
KOM	D375A-6		SALT	2.362	12.634	3.858	8.354	11.040	8-HOLE	910028			918003	918004	912003	912004	913050	914151	915276	916184	917060		528-142		
KOM	D37P		SALT	1.102	6.693	1.850	3.634	6.063	ADJ	800005*			918001	918002	912005	912006	913034	914083	915058	916143	917059				
KOM	D39E		SALT	1.307	7.244	2.283	4.437	6.750	ADJ	800005*	910116	910216	910304	918001	918002	912005	912006	913027	914062	915052	916207	917059			
KOM	D39EX		SALT	1.307	7.244	2.283	4.437	6.750	ADJ	800005*	910116	910216	910304	918001	918002	912005	912006	913027	914062	915052	916207	917059			
KOM	D39P		SALT	1.307	7.244	2.283	4.437	6.750	ADJ	800005*	910116	910216	910304	918001	918002	912005	912006	913027	914062	915052	916207	917059			
KOM	D39PX		SALT	1.307	7.244	2.283	4.437	6.750	ADJ	800005*	910116	910216	910304	918001	918002	912005	912006	913027	914062	915052	916207	917059	900222	528-142	528-145
KOM	D40		RECESSED	1.488	8.583	2.165	5.984	6.890	ADJ	800001*			918001	918002	912001	912002	913029	914072	915059	916085	917059	900296	528-142		
KOM	D40		SALT	1.377	7.130	2.043	5.190	6.890	ADJ	800001*			918001	918002	912001	912002	913032	914073	915060	916165	917059	900278	528-142	528-145	
KOM	D40		SEALED	1.382	7.170	2.085	5.280	6.890	ADJ	800001*			918001	918002	912001	912002	913033	914074	915060	916077	917060		528-142	528-145	
KOM	D40P-1	BERCO	SEALED	1.496	8.661	2.165	5.827	6.906	ADJ	800001*			918001	918002	912001	912002	913029	914074	915059	916210	917059		528-142		
KOM	D41	NEW	SALT	1.382	7.170	2.085	5.280	6.890	ADJ	800001*			918001	918002	912001	912002	913032	914073	915122	916171	917059	900278	528-142	528-145	
KOM	D41		SEALED	1.382	7.170	2.085	5.280	6.890	ADJ	800001*			918001	918002	912001	912002	913033	914074	915060	916077	917060	900297	528-142	528-144	
KOM	D41		UNSEALED	1.499	8.660	2.179	5.976	6.890	ADJ	800001*			918001	918002	912001	912002	913029	914073	915122	916084	917059				
KOM	D41-6		SALT	1.307	7.244	2.283	4.437	6.750	ADJ	800005*	910116	910216	910304	918001	918002	912005	912006	913027	914062	915052	916207	917059		528-142	528-145
KOM	D41A	BERCO	SEALED	1.496	8.661	2.165	5.827	6.906	ADJ	800001*			918001	918002	912001	912002	913029	914074	915059	916210	917059				
KOM	D41E	S/N 50201 & UP	SALT	1.307	7.224	2.283	4.437	6.750	ADJ	800005*	910116	910216	910304	918001	918002	912005	912006	913031	914062	915067	916207	917059			
KOM	D41E		SALT	1.307	7.244	2.283	4.437	6.750	ADJ	800005*	910116	910216	910304	918001	918002	912005	912006	913027	914062	915052	916207	917059			
KOM	D41P		SALT	1.307	7.244	2.283	4.437	6.750	ADJ	800005*	910116	910216	910304	918001	918002	912005	912006	913027	914062	915052	916207	917059		528-142	528-145



WTC Machinery Corporation
91 Series Track Tooling Chart

Make	Model	Comments	Type	Pin Dia.	Pin Length	Bushing Dia.	Bushing Length	Pitch	Jaw Type	Jaw (*qty 2)	Side Plates (2)	Shims(4) Unless Specified	RH Tool Bar	LH Tool Bar	Tool Holder ADJ (2)	Tool Holder Stat (2)	Pin Dissy (2)	Bushing Dissy (2)	Pin Assembly (2)	Bushing Assembly (2)	Shim Group	M.B.A. (2)	Plate for WS-310 (1)	Shim for WS-310 (2)	
KOM	D41P	BERCO	SEALED	1.496	8.661	2.165	5.827	6.906	ADJ	800001*			918001	918002	912001	912002	913029	914074	915059	916210	917059				
KOM	D41P-6	S/N 50201 & UP	SALT	1.307	7.224	2.283	4.437	6.750	ADJ	800005*	910116	910216	910304	918001	918002	912005	912006	913031	914062	915067	916207	917059			
KOM	D41PX-12		SALT	1.432	7.845	2.365	4.449	6.875	ADJ	800005*	910116	910216	910304	918001	918002	912005	912006	913057	914062	915163	916207	917059		528-142	528-145
KOM	D41Q-3	BERCO	SEALED	1.496	8.661	2.165	5.827	6.906	ADJ	800001*			918001	918002	912001	912002	913029	914074	915059	916210	917059		528-142	528-145	
KOM	D41S	BERCO	SEALED	1.496	8.661	2.165	5.827	6.906	ADJ	800001*			918001	918002	912001	912002	913029	914074	915059	916210	917059	900222	528-142	528-145	
KOM	D45		RECESSED	1.488	8.583	2.165	5.984	6.890	ADJ	800001*			918001	918002	912001	912002	913029	914072	915059	916085	917059				
KOM	D455		SALT	2.760	14.370	4.250	9.760	12.500	8-HOLE	910005			918006	918006	Not Req	Not Req	913048	914110	915090	916129	917060	900276			
KOM	D455A-1	S/N 1334 & UP	SALT	2.756	14.370	4.449	9.556	12.500	8-HOLE	910005			918006	918006	Not Req	Not Req	913050	914110	915090	916140	917060				
KOM	D455A-1	S/N 1004-1089	SALT	2.760	14.370	4.250	9.760	12.500	8-HOLE	910005			918006	918006	Not Req	Not Req	913048	914110	915090	916129	917060	900278	528-142	528-145	
KOM	D45A		SEALED	1.382	7.170	2.085	5.280	6.890	ADJ	800001*			918001	918002	912001	912002	913033	914073	915059	916077	917059		528-142	528-145	
KOM	D45A	S/N 12178 & UP BERCO	SEALED	1.496	8.661	2.165	5.827	6.906	ADJ	800001*			918001	918002	912001	912002	913029	914074	915059	916210	917059		528-142	528-145	
KOM	D45B	S/N 12178 & UP BERCO	SEALED	1.496	8.661	2.165	5.827	6.906	ADJ	800001*			918001	918002	912001	912002	913029	914074	915059	916210	917059	900278	528-142	528-145	
KOM	D45P-1	S/N 1501 & UP	SEALED	1.382	7.170	2.085	5.280	6.890	ADJ	800001*			918001	918002	912001	912002	913033	914073	915059	916077	917059	900269			
KOM	D475A-1		SALT	2.760	14.400	4.449	9.610	12.510	8-HOLE	910005			918006	918006	Not Req	Not Req	913050	914110	915107	916161	917060	900269			
KOM	D475A-2		SALT	2.760	14.400	4.449	9.610	12.510	8-HOLE	910005			918006	918006	Not Req	Not Req	913050	914110	915107	916161	917060				
KOM	D475A-3		SALT	2.760	13.780	4.606	9.690	12.510	8-HOLE	910005			918006	918006	Not Req	Not Req	913050	914110	915239	916183	917060				
KOM	D475A-5		SALT	2.760	13.780	4.606	9.690	12.510	8-HOLE	910005			918006	918006	Not Req	Not Req	913050	914110	915238	916183	917060	900222	528-142	528-145	
KOM	D50		RECESSED	1.488	8.583	2.165	5.984	6.890	ADJ	800001*			918001	918002	912001	912002	913029	914072	915059	916085	917059	900296	528-142		
KOM	D50		SALT	1.377	7.130	2.043	5.190	6.890	ADJ	800001*			918001	918002	912001	912002	913032	914073	915060	916165	917059	900278	528-142	528-145	
KOM	D50		SEALED	1.382	7.170	2.085	5.280	6.890	ADJ	800001*			918001	918002	912001	912002	913033	914074	915060	916077	917060	900222	528-142	528-145	
KOM	D50-11		RECESSED	1.488	8.583	2.165	5.984	6.890	ADJ	800001*			918001	918002	912001	912002	913029	914072	915059	916085	917059	900222	528-142	528-145	
KOM	D50-15		RECESSED	1.488	8.583	2.165	5.984	6.890	ADJ	800001*			918001	918002	912001	912002	913029	914072	915059	916085	917059	900278	528-142	528-145	
KOM	D50-15		SEALED	1.382	7.170	2.085	5.280	6.890	ADJ	800001*			918001	918002	912001	912002	913033	914073	915059	916077	917059		528-142	528-145	
KOM	D50A	BERCO	SEALED	1.496	8.661	2.165	5.827	6.906	ADJ	800001*			918001	918002	912001	912002	913029	914074	915059	916210	917059		528-142	528-145	
KOM	D50B	S/N 10901 & UP BERCO	SEALED	1.496	8.661	2.165	5.827	6.906	ADJ	800001*			918001	918002	912001	912002	913029	914074	915059	916210	917059		528-142	528-145	
KOM	D50P	S/N 10901 & UP BERCO	SEALED	1.496	8.661	2.165	5.827	6.906	ADJ	800001*			918001	918002	912001	912002	913029	914074	915059	916210	917059		528-142	528-145	
KOM	D50S	S/N 10901 & UP BERCO	SEALED	1.496	8.661	2.165	5.827	6.906	ADJ	800001*			918001	918002	912001	912002	913029	914074	915059	916210	917059	900222	528-142	528-145	
KOM	D50S-11		RECESSED	1.488	8.583	2.165	5.984	6.890	ADJ	800001*			918001	918002	912001	912002	913029	914072	915059	916085	917059		528-142	528-145	
KOM	D51EX-22 / PX-22		SALT	1.425	8.661	2.480	5.133	6.901	ADJ	800001*			918001	918002	912001	912002	913057	914062	915192	916253	917059		528-142		
KOM	D53	NEW	SALT	1.382	7.170	2.085	5.280	6.890	ADJ	800001*			918001	918002	912001	912002	913032	914073	915122	916171	917059	900297	528-142	528-144	
KOM	D53		UNSEALED	1.499	8.660	2.179	5.976	6.890	ADJ	800001*			918001	918002	912001	912002	913029	914073	915122	916084	917059	900296	528-142		
KOM	D53		SALT	1.377	7.130	2.043	5.190	6.890	ADJ	800001*			918001	918002	912001	912002	913032	914073	915060	916165	917059	900278	528-142	528-145	
KOM	D53-15		SEALED	1.382	7.170	2.085	5.280	6.890	ADJ	800001*			918001	918002	912001	912002	913033	914073	915059	916077	917059	900278	528-142	528-145	
KOM	D53-16		SEALED	1.382	7.170	2.085	5.280	6.890	ADJ	800001*			918001	918002	912001	912002	913033	914074	915060	916077	917060		528-142	528-145	
KOM	D53A	BERCO	SEALED	1.496	8.661	2.165	5.827	6.906	ADJ	800001*			918001	918002	912001	912002	913029	914074	915059	916210	917059	900278	528-142	528-145	
KOM	D53A-15	S/N 60001 & UP	SEALED	1.382	7.170	2.085	5.280	6.890	ADJ	800001*			918001	918002	912001	912002	913033	914073	915059	916077	917059	900278	528-142		
KOM	D55		SEALED	1.496	8.661	2.165	5.453	7.480	ADJ	800001*			918001	918002	912001	912002	913032	914071	915060	916086	917059	900222	528-142		
KOM	D55-S		RECESSED	1.488	8.583	2.165	6.062	7.480	ADJ	800001*			918001	918002	912001	912002	913002	914076	915056	916084	917059	900278	528-142		
KOM	D57-1		SEALED	1.496	8.661	2.165	5.453	7.480	ADJ	800001*			918001	918002	912001	912002	913032	914071	915060	916086	917059				
KOM	D57-1		DRY TRACK	1.500	8.660	2.218	5.460	7.480	ADJ	800001*			918001	918002	912005	912006	913033	914072	915233	916233					
KOM	D575A-2		SALT	2.913	17.320	4.528	10.669	12.508	8-HOLE	910005			918006	918006	Not Req	Not Req									
KOM	D575A-3		SALT	2.913	17.320	4.528	10.669	12.508	8-HOLE	910005			918006	918006	Not Req	Not Req							900278	528-142	
KOM	D57S-1		SEALED	1.496	8.661	2.165	5.453	7.480	ADJ	800001*			918001	918002	912001	912002	913032	914071	915060	916086	917059	900296	528-142		



**WTC Machinery Corporation
91 Series Track Tooling Chart**

2/13/2024

Make	Model	Comments	Type	Pin Dia.	Pin Length	Bushing Dia.	Bushing Length	Pitch	Jaw Type	Jaw (*qty 2)	Side Plates (2)	Shims(4) Unless Specified	RH Tool Bar	LH Tool Bar	Tool Holder ADJ (2)	Tool Holder Stat (2)	Pin Dissy (2)	Bushing Dissy (2)	Pin Assembly (2)	Bushing Assembly (2)	Shim Group	M.B.A. (2)	Plate for WS-310 (1)	Shim for WS-310 (2)	
KOM	D58		SALT	1.377	7.130	2.043	5.190	6.890	ADJ	800001*			918001	918002	912001	912002	913032	914073	915060	916165	917059	900278	528-142	528-145	
KOM	D58		SEALED	1.382	7.170	2.085	5.280	6.890	ADJ	800001*			918001	918002	912001	912002	913033	914074	915060	916077	917060		528-142	528-145	
KOM	D58E	BERCO	SEALED	1.496	8.661	2.165	5.827	6.906	ADJ	800001*			918001	918002	912001	912002	913029	914074	915059	916210	917059		528-142	528-145	
KOM	D58P-1	BERCO	SEALED	1.496	8.661	2.165	5.827	6.906	ADJ	800001*			918001	918002	912001	912002	913029	914074	915059	916210	917059				
KOM	D6	S/N 50001-50200	SALT	1.307	7.244	2.283	4.437	6.750	ADJ	800005*	910116	910216	910304	918001	918002	912005	912006	913027	914062	915052	916207	917059	900283	528-143	528-147
KOM	D60		SALT	1.750	9.433	2.618	6.083	8.000	8-HOLE	910025	910114	910214	910314(8)	918003	918004	912003	912004	913013	914015	915084	916142	917060	900264	528-150	528-144
KOM	D60		SEALED	1.760	9.433	2.618	6.260	8.000	8-HOLE	910025	910114	910214	910314	918003	918004	912003	912004	913013	914015	915084	916118	917060	900264	528-143	528-147
KOM	D60-6		SEALED	1.752	9.260	2.630	6.000	8.000	8-HOLE	910025	910114	910214	910314	918003	918004	912003	912004	913013	914015	915062	916081	917060	900283	528-150	528-144
KOM	D60A	BERCO NON-OEM	SEALED	1.756	9.449	2.630	6.594	7.984	8-HOLE	910025	910114	910214	910314(8)	918003	918004	912003	912004	913013	914130	915116	916209	917060	900222	528-142	
KOM	D60-A		RECESSED	1.488	8.583	2.165	6.062	7.480	ADJ	800001*			918001	918002	912001	912002	913002	914076	915056	916084	917059		528-142		
KOM	D61		SALT	1.496	8.897	2.560	5.216	7.480	ADJ	800001*			918001	918002	912001	912002	913032	914133	915060	916217	917059		528-142		
KOM	D61E		SALT	1.496	8.897	2.560	5.216	7.480	ADJ	800001*			918001	918002	912001	912002	913032	914133	915060	916217	917059		528-142		
KOM	D61EX		SALT	1.496	8.897	2.560	5.216	7.480	ADJ	800001*			918001	918002	912001	912002	913032	914133	915060	916217	917059		528-142		
KOM	D61P		SALT	1.496	8.897	2.560	5.216	7.480	ADJ	800001*			918001	918002	912001	912002	913032	914133	915060	916217	917059		528-142		
KOM	D61PX		SALT	1.496	8.897	2.560	5.216	7.480	ADJ	800001*			918001	918002	912001	912002	913032	914133	915060	916217	917059		528-142		
KOM	D61PX-12		SALT	1.496	8.897	2.560	5.216	7.480	ADJ	800001*			918001	918002	912001	912002	913032	914133	915060	916217	917059	900296	528-142		
KOM	D63E		SALT	1.377	7.130	2.043	5.190	6.890	ADJ	800001*			918001	918002	912001	912002	913032	914073	915060	916165	917059	900278	528-142	528-145	
KOM	D63E		SEALED	1.382	7.170	2.085	5.280	6.890	ADJ	800001*			918001	918002	912001	912002	913033	914074	915060	916077	917060	900283	528-143	528-147	
KOM	D65		SALT	1.750	9.433	2.618	6.083	8.000	8-HOLE	910025	910114	910214	910314(8)	918003	918004	912003	912004	913013	914015	915084	916142	917060		528-142	
KOM	D65		SEALED	1.490	8.660	2.330	5.060	7.490	ADJ	800001*			918001	918002	912001	912002	913032	914133	915060	916223	917059	900264	528-150	528-144	
KOM	D65		SEALED	1.760	9.433	2.618	6.260	8.000	8-HOLE	910025	910114	910214	910314	918003	918004	912003	912004	913013	914015	915084	916118	917060		528-143	528-147
KOM	D65-6	S/N 34001 & UP	SALT	1.756	9.528	2.752	6.082	8.000	8-HOLE	910025	910114	910214	910314	918003	918004	912003	912004	913026	914012	915097	916142	917060	900283	528-150	528-144
KOM	D65A	BERCO NON-OEM	SEALED	1.756	9.449	2.630	6.594	7.984	8-HOLE	910025	910114	910214	910314(8)	918003	918004	912003	912004	913013	914130	915116	916209	917060	900264	528-150	528-144
KOM	D65A		SEALED	1.760	9.433	2.618	6.260	8.000	8-HOLE	910025	910114	910214	910314	918003	918004	912003	912004	913013	914015	915084	916118	917060	900264	528-150	528-144
KOM	D65E		SEALED	1.760	9.433	2.618	6.260	8.000	8-HOLE	910025	910114	910214	910314	918003	918004	912003	912004	913013	914015	915084	916118	917060	900283	528-143	528-147
KOM	D65EX-12		SALT	1.750	9.433	2.618	6.083	8.000	8-HOLE	910025	910114	910214	910314(8)	918003	918004	912003	912004	913013	914015	915084	916142	917060	900283	528-143	528-147
KOM	D65EX-15		SALT	1.750	9.433	2.618	6.083	8.000	8-HOLE	910025	910114	910214	910314	918003	918004	912003	912004	913013	914015	915084	916142	917060	900264	528-150	528-144
KOM	D65P-6	S/N 20006 & UP	SEALED	1.760	9.433	2.618	6.260	8.000	8-HOLE	910025	910114	910214	910314	918003	918004	912003	912004	913013	914015	915084	916118	917060	900283	528-143	528-147
KOM	D65PX		SALT	1.750	9.433	2.618	6.083	8.000	8-HOLE	910025	910114	910214	910314(8)	918003	918004	912003	912004	913013	914015	915084	916142	917060	900283	528-143	528-147
KOM	D65PX-12		SALT	1.750	9.433	2.618	6.083	8.000	8-HOLE	910025	910114	910214	910314(8)	918003	918004	912003	912004	913013	914015	915084	916142	917060	900283	528-143	528-147
KOM	D65PX-15		SALT	1.750	9.433	2.618	6.083	8.000	8-HOLE	910025	910114	910214	910314(8)	918003	918004	912003	912004	913013	914015	915084	916142	917060		528-143	528-147
KOM	D66		SALT	1.756	9.528	2.752	6.082	8.000	8-HOLE	910025	910114	910214	910314	918003	918004	912003	912004	913026	914012	915097	916142	917060	900264	528-150	528-144
KOM	D66		SEALED	1.760	9.433	2.618	6.260	8.000	8-HOLE	910025	910114	910214	910314	918003	918004	912003	912004	913013	914015	915084	916118	917060		528-143	528-147
KOM	D68		SALT	1.756	9.528	2.752	6.082	8.000	8-HOLE	910025	910114	910214	910314	918003	918004	912003	912004	913026	914012	915097	916142	917060	900264	528-150	528-144
KOM	D68		SEALED	1.760	9.433	2.618	6.260	8.000	8-HOLE	910025	910114	910214	910314	918003	918004	912003	912004	913013	914015	915084	916118	917060		528-143	
KOM	D75		SALT	1.850	10.000	2.925	6.288	8.504	8-HOLE	910024	910108	910208		918003	918004	912003	912004	913012	914006	915096	916138	917060	900275	528-143	
KOM	D75		SEALED	1.843	10.000	2.925	6.476	8.504	8-HOLE	910024	910112	910212	910312	918003	918004	912003	912004	913012	914081	915096	916119	917060	900266	528-143	528-144
KOM	D75-S		SEALED	1.850	9.842	2.803	6.480	8.504	8-HOLE	910024	910108	910208	910308	918003	918004	912003	912004	913012	914079	915015	916079	917060		528-143	
KOM	D80		SALT	1.850	10.000	2.925	6.288	8.504	8-HOLE	910024	910108	910208		918003	918004	912003	912004	913012	914006	915096	916138	917060	900275	528-143	
KOM	D80		SEALED	1.843	10.000	2.925	6.476	8.504	8-HOLE	910024	910112	910212	910312	918003	918004	912003	912004	913012	914081	915096	916119	917060	900265	528-150	528-144
KOM	D80-7		SEALED	1.752	9.842	2.618	6.480	8.000	8-HOLE	910025	910114	910214	910314(8)	918003	918004	912003	912004	913012	914079	915013	916080	917060	900265	528-150	528-144
KOM	D80-8		SEALED	1.752	9.842	2.618	6.480	8.000	8-HOLE	910025	910114	910214	910314(8)	918003	918004	912003	912004	913012	914079	915013	916080	917060		528-143	
KOM	D85		SALT	1.850	10.000	2.925	6.288	8.504	8-HOLE	910024	910108	910208		918003	918004	912003	912004	913012	914006	915096	916138	917060	900275	528-143	528-147



WTC Machinery Corporation
91 Series Track Tooling Chart

2/13/2024

Make	Model	Comments	Type	Pin Dia.	Pin Length	Bushing Dia.	Bushing Length	Pitch	Jaw Type	Jaw (*qty 2)	Side Plates (2)	Shims(4) Unless Specified	RH Tool Bar	LH Tool Bar	Tool Holder ADJ (2)	Tool Holder Stat (2)	Pin Dissy (2)	Bushing Dissy (2)	Pin Assembly (2)	Bushing Assembly (2)	Shim Group	M.B.A. (2)	Plate for WS-310 (1)	Shim for WS-310 (2)	
KOM	D85		SEALED	1.771	9.842	2.795	6.476	8.504	8-HOLE	910024	910108	910208	910308	918003	918004	912003	912004	913012	914080	915085	916119	917060		528-143	
KOM	D85-18	S/N 26514 & UP	SALT	1.850	10.000	2.925	6.288	8.504	8-HOLE	910024	910108	910208		918003	918004	912003	912004	913012	914006	915096	916138	917060			
KOM	D85-18	S/N 26513 & DN	SEALED	1.850	10.000	2.925	6.476	8.500	8-HOLE	910024				918003	918004	912003	912004	913064	914103	915232	916246		900275	528-143	528-147
KOM	D85A		SEALED	1.771	9.842	2.795	6.476	8.504	8-HOLE	910024	910108	910208	910308	918003	918004	912003	912004	913012	914080	915085	916119	917060	900275	528-143	
KOM	D85A		SEALED	1.843	10.000	2.925	6.476	8.504	8-HOLE	910024	910112	910212	910312	918003	918004	912003	912004	913012	914081	915096	916119	917060	900266	528-143	528-144
KOM	D85A-12		SEALED	1.850	9.842	2.803	6.480	8.504	8-HOLE	910024	910108	910208	910308	918003	918004	912003	912004	913012	914079	915015	916079	917060	900275	528-143	
KOM	D85E		SEALED	1.843	10.000	2.925	6.476	8.504	8-HOLE	910024	910112	910212	910312	918003	918004	912003	912004	913012	914081	915096	916119	917060	900275	528-143	528-147
KOM	D85E-12	S/N 10001 & UP	SEALED	1.771	9.842	2.795	6.476	8.504	8-HOLE	910024	910108	910208	910308	918003	918004	912003	912004	913012	914080	915085	916119	917060			
KOM	D85E-12		SEALED	1.771	9.842	2.795	6.476	8.504	8-HOLE	910024				918003	918004	912003	912004	913012	914080	915085	916119			528-143	
KOM	D85EX-15		SALT	1.850	10.000	2.925	6.288	8.504	8-HOLE	910024	910108	910208		918003	918004	912003	912004	913012	914006	915096	916138	917060	900275	528-143	
KOM	D85P-18		SEALED	1.843	10.000	2.925	6.476	8.504	8-HOLE	910024	910112	910212	910312	918003	918004	912003	912004	913012	914081	915096	916119	917060		528-143	
KOM	D85PX		SALT	1.850	10.000	2.925	6.288	8.504	8-HOLE	910024	910108	910208		918003	918004	912003	912004	913012	914006	915096	916138	917060		528-143	
KOM	D85PX-15		SALT	1.850	10.000	2.925	6.288	8.504	8-HOLE	910024	910108	910208		918003	918004	912003	912004	913012	914006	915096	916138	917060		528-143	
KOM	D95		SALT	1.850	10.000	2.925	6.288	8.504	8-HOLE	910024	910108	910208		918003	918004	912003	912004	913012	914006	915096	916138	917060	900275	528-143	
KOM	D95		SEALED	1.843	10.000	2.925	6.476	8.504	8-HOLE	910024	910112	910212	910312	918003	918004	912003	912004	913012	914081	915096	916119	917060			
KOM	D95-S		SEALED	1.772	10.000	2.800	6.480	8.500	8-HOLE	910024				918003	918004	912003	912004	913011	914014	915232	916246		9002010	528-142	
KOM	PC100	PITCH ALSO 6.89	SEALED	1.181	6.811	1.811	3.713	6.063	ADJ	800005*				918001	918002	912005	912006	913031	914119	915126	916190	917059		528-142	528-145
KOM	PC100		SEALED	1.180	6.810	1.820	3.410	6.890	ADJ	800001*				918001	918002	912001	912002	913004	914138	915161	916221	917059	900202	528-142	
KOM	PC100		UNSEALED	1.180	6.690	1.820	4.290	6.060	ADJ	800005*				918001	918002	912005	912006	913031	914069	915069	916018	917059	9002001	528-150	528-146
KOM	PC1000		SEALED	2.244	12.614	3.620	8.744	10.250	8-HOLE	910042	910120	910220		918003	918004	912003	912004	913025	914109	915063	916177	917060		528-143	528-145
KOM	PC1000-1		SALT	2.240	12.610	3.648	8.195	10.250	8-HOLE	910042	910120	910220		918003	918004	912003	912004	913035	914109	915063	916160	917060		528-143	528-145
KOM	PC1000SE-1		SALT	2.240	12.610	3.648	8.195	10.250	8-HOLE	910042	910120	910220		918003	918004	912003	912004	913035	914109	915063	916160	917060	900202	528-142	
KOM	PC100-1		SEALED	1.181	6.535	1.819	3.713	6.062	ADJ	800005*				918001	918002	912005	912006	913031	914035	915110	916011	917059	900202	528-142	
KOM	PC100-2		SEALED	1.181	6.535	1.819	3.713	6.062	ADJ	800005*				918001	918002	912005	912006	913031	914035	915110	916011	917059	900202	528-142	
KOM	PC100-3		SEALED	1.181	6.535	1.819	3.713	6.062	ADJ	800005*				918001	918002	912005	912006	913031	914035	915110	916011	917059		528-142	528-145
KOM	PC100-6		SEALED	1.180	6.810	1.820	3.410	6.890	ADJ	800001*				918001	918002	912001	912002	913004	914138	915161	916221	917059		528-150	528-145
KOM	PC1100-6		DRY TRACK	2.360	12.770	3.870	8.880	11.030	8-HOLE	910028				918003	918004	912003	912004	913050	914137	915131	916220	917060		528-150	528-145
KOM	PC1100LC-6		DRY TRACK	2.360	12.770	3.870	8.880	11.030	8-HOLE	910028				918003	918004	912003	912004	913050	914137	915131	916220	917060		528-150	528-145
KOM	PC1100SP-6		DRY TRACK	2.360	12.770	3.870	8.880	11.030	8-HOLE	910028				918003	918004	912003	912004	913050	914137	915131	916220	917060		528-142	528-145
KOM	PC120		SEALED	1.180	6.810	1.820	3.410	6.890	ADJ	800001*				918001	918002	912001	912002	913004	914138	915161	916221	917059	9002010	528-142	
KOM	PC120	PITCH ALSO 6.89	SEALED	1.181	6.811	1.811	3.713	6.063	ADJ	800005*				918001	918002	912005	912006	913031	914119	915126	916190	917059	900202	528-142	
KOM	PC120-1		SEALED	1.181	6.535	1.819	3.713	6.062	ADJ	800005*				918001	918002	912005	912006	913031	914035	915110	916011	917059	900202	528-142	
KOM	PC120-2		SEALED	1.181	6.535	1.819	3.713	6.062	ADJ	800005*				918001	918002	912005	912006	913031	914035	915110	916011	917059	900202	528-142	
KOM	PC120-3		SEALED	1.181	6.535	1.819	3.713	6.062	ADJ	800005*				918001	918002	912005	912006	913031	914035	915110	916011	917059			
KOM	PC120-6			1.181	6.811	1.811	4.063	6.900	ADJ	800001*				918001	918002	912001	912002	913081	914143	915231	916278				
KOM	PC120-6			1.181	6.811	1.811	3.713	6.890	ADJ	800001*				918001	918002	912005	912006	913082	914142	915126	916078			528-142	528-145
KOM	PC120LC-6		SEALED	1.180	6.810	1.820	3.410	6.890	ADJ	800001*				918001	918002	912001	912002	913004	914138	915161	916221	917059		528-150	528-145
KOM	PC1250		DRY TRACK	2.360	12.770	3.870	8.880	11.030	8-HOLE	910028				918003	918004	912003	912004	913050	914137	915131	916220	917060		528-150	528-145
KOM	PC1250-7		DRY TRACK	2.360	12.770	3.870	8.880	11.030	8-HOLE	910028				918003	918004	912003	912004	913050	914137	915131	916220	917060		528-150	528-145
KOM	PC1250LC-7		DRY TRACK	2.360	12.770	3.870	8.880	11.030	8-HOLE	910028				918003	918004	912003	912004	913050	914137	915131	916220	917060		528-150	528-145
KOM	PC1250LC-8		DRY TRACK	2.360	12.770	3.870	8.880	11.030	8-HOLE	910028				918003	918004	912003	912004	913050	914137	915131	916220	917060		528-150	528-145
KOM	PC1250SP-7		DRY TRACK	2.360	12.770	3.870	8.880	11.030	8-HOLE	910028				918003	918004	912003	912004	913050	914137	915131	916220	917060		528-142	528-145
KOM	PC130-6		SEALED	1.180	6.810	1.820	3.410	6.890	ADJ	800001*				918001	918002	912001	912002	913004	914138	915161	916221	917059		528-142	528-145



WTC Machinery Corporation
91 Series Track Tooling Chart

2/13/2024

Make	Model	Comments	Type	Pin Dia.	Pin Length	Bushing Dia.	Bushing Length	Pitch	Jaw Type	Jaw (*qty 2)	Side Plates (2)	Shims(4) Unless Specified	RH Tool Bar	LH Tool Bar	Tool Holder ADJ (2)	Tool Holder Stat (2)	Pin Dissy (2)	Bushing Dissy (2)	Pin Assembly (2)	Bushing Assembly (2)	Shim Group	M.B.A. (2)	Plate for WS-310 (1)	Shim for WS-310 (2)	
KOM	PC138		SEALED	1.180	6.810	1.820	3.410	6.890	ADJ	800001*			918001	918002	912001	912002	913004	914138	915161	916221	917059	900297	528-142	528-144	
KOM	PC150		UNSEALED	1.499	8.660	2.179	5.976	6.890	ADJ	800001*			918001	918002	912001	912002	913029	914073	915122	916084	917059				
KOM	PC1600		SALT	2.760	13.780	4.606	9.690	12.510	8-HOLE	910005			918006	918006	Not Req	Not Req	913050	914110	915107	916183	917060	900278	528-142		
KOM	PC200		SEALED	1.496	8.661	2.165	5.453	7.480	ADJ	800001*			918001	918002	912001	912002	913032	914071	915060	916086	917059				
KOM	PC2000		SALT	2.760	13.780	4.606	9.690	12.510	8-HOLE	910005			918006	918006	Not Req	Not Req	913050	914110	915107	916183	917060	900278	528-142		
KOM	PC200-6		SEALED	1.496	8.661	2.165	5.453	7.480	ADJ	800001*			918001	918002	912001	912002	913032	914071	915060	916086	917059	900278	528-142		
KOM	PC200-7		SEALED	1.496	8.661	2.165	5.453	7.480	ADJ	800001*			918001	918002	912001	912002	913032	914071	915060	916086	917059	900278	528-142		
KOM	PC200-8		SEALED	1.496	8.661	2.165	5.453	7.480	ADJ	800001*			918001	918002	912001	912002	913032	914071	915060	916086	917059		528-142		
KOM	PC200-8MO		SEALED	1.496	8.346	2.339	5.453	7.490	ADJ	800001*			918001	918002	912001	912002	913028	914152	915277	916309	917059		528-142		
KOM	PC210LC-11		SEALED	1.503	8.346	2.334	5.453	7.480	ADJ	800001*			918001	918002	912001	912002	913029	914126	915193	916254	917059	900278	528-142		
KOM	PC220		SEALED	1.496	8.661	2.165	5.453	7.480	ADJ	800001*			918001	918002	912001	912002	913032	914071	915060	916086	917059	900278	528-142		
KOM	PC240LC-6		SEALED	1.496	8.661	2.165	5.453	7.480	ADJ	800001*			918001	918002	912001	912002	913032	914071	915060	916086	917059	900275	528-143	528-144	
KOM	PC250LC-6		SEALED	1.750	9.520	2.620	6.250	8.500	8-HOLE	910024	910108	910208	910308	918003	918004	912003	912004	913012	914079	915159	916119	917060	900275	528-143	528-144
KOM	PC270LC-6		SEALED	1.750	9.520	2.620	6.250	8.500	8-HOLE	910024	910108	910208	910308	918003	918004	912003	912004	913012	914079	915159	916119	917060	900275	528-143	528-144
KOM	PC270LC-7		SEALED	1.750	9.520	2.620	6.250	8.500	8-HOLE	910024	910108	910208	910308	918003	918004	912003	912004	913012	914079	915159	916119	917060	900283	528-143	528-147
KOM	PC300	EXC	SALT	1.750	9.530	2.618	6.080	8.000	8-HOLE	910025	910114	910214	910314	918003	918004	912003	912004	913013	914015	915097	916118	917060			
KOM	PC300	EXC	SEALED	1.760	9.530	2.618	6.260	8.000	8-HOLE	910025			918003	918004	912003	912004	913063	914012	915076	916279					
KOM	PC300-5		SEALED	1.748	9.527	2.618	5.838	8.000	8-HOLE				918003	918004	912003	912004	913019	914018	915248	916279		900288	528-143	528-146	
KOM	PC300HD-6		SEALED	1.850	9.920	2.800	6.470	9.000	8-HOLE	910016	910108	910208	910308	918003	918004	912003	912004	913026	914136	915160	916120	917060	900275	528-143	528-144
KOM	PC300LC-6		SEALED	1.750	9.520	2.620	6.250	8.500	8-HOLE	910024	910108	910208	910308	918003	918004	912003	912004	913012	914079	915159	916119	917060	900275	528-143	528-144
KOM	PC300LC-7		SEALED	1.750	9.520	2.620	6.250	8.500	8-HOLE	910024	910108	910208	910308	918003	918004	912003	912004	913012	914079	915159	916119	917060	N/A	528-146	528-144
KOM	PC360LC-10		SEALED	1.761	9.528	2.636	9.256	8.504	8-HOLE	910024	910108	910208	910308	918003	918004	912003	912004	913013	914015	915097	916118	917060			
KOM	PC-400 EX		SEALED	1.850	10.000	2.790	6.476	8.504	8-HOLE	910024			918003	918004	912003	912004	913064	914103	915232	916246		900275	528-143		
KOM	PC400-3		SEALED	1.843	10.000	2.925	6.476	8.504	8-HOLE	910024	910112	910212	910312	918003	918004	912003	912004	913012	914081	915096	916119	917060	900275	528-143	
KOM	PC400-5		SEALED	1.843	10.000	2.925	6.476	8.504	8-HOLE	910024	910112	910212	910312	918003	918004	912003	912004	913012	914081	915096	916119	917060	900275	528-143	
KOM	PC400-6		SEALED	1.850	10.000	2.803	6.480	9.000	8-HOLE	910016	910112	910212	910312	918003	918004	912003	912004	913012	914081	915096	916119	917060	900275	528-143	
KOM	PC400-6		SEALED	1.843	10.000	2.925	6.476	8.504	8-HOLE	910024	910112	910212	910312	918003	918004	912003	912004	913012	914081	915096	916119	917060	900275	528-143	
KOM	PC400LC-7		SEALED	1.850	10.000	2.803	6.480	9.000	8-HOLE	910016	910112	910212	910312	918003	918004	912003	912004	913012	914081	915096	916119	917060	900275	528-143	
KOM	PC400LCSE-7		SEALED	1.850	10.000	2.803	6.480	9.000	8-HOLE	910016	910112	910212	910312	918003	918004	912003	912004	913012	914081	915096	916119	917060	900275	528-143	
KOM	PC450		SEALED	1.850	10.000	2.803	6.480	9.000	8-HOLE	910016	910112	910212	910312	918003	918004	912003	912004	913012	914081	915096	916119	917060		528-143	528-146
KOM	PC490LC-10		SEALED	1.926	10.157	2.913	6.610	9.012	8-HOLE	910016			918003	918004	912003	912004	913048	914105	915167	916316	917060	900298	528-150	528-147	
KOM	PC60	EXC	SEALED	0.945	5.550	1.600	3.185	5.310	ADJ	910013*			918001	918002	912005	912006	913052	914065	915123	916172	917059				
KOM	PC600	EXC	SEALED	1.850	10.000	2.790	6.476	8.504	8-HOLE	910024			918003	918004	912003	912004	913064	914103	915232	916246			528-143	528-147	
KOM	PC600-6			1.920	11.410	2.870	7.900	9.000	8-HOLE	910016	910108	910208		918003	918004	912003	912004	913060	914103	915177	916244	917060		528-143	528-147
KOM	PC600-7			1.920	11.410	2.870	7.900	9.000	8-HOLE	910016	910108	910208		918003	918004	912003	912004	913060	914103	915177	916244	917060		528-143	528-147
KOM	PC600-8		SEALED	1.953	11.417	2.878	7.898	9.000	8-HOLE	910016	910108	910208		918003	918004	912003	912004	913060	914103	915177	916244	917060		528-143	528-147
KOM	PC600LC-6			1.920	11.410	2.870	7.900	9.000	8-HOLE	910016	910108	910208		918003	918004	912003	912004	913060	914103	915177	916244	917060		528-143	528-147
KOM	PC600LC-7			1.920	11.410	2.870	7.900	9.000	8-HOLE	910016	910108	910208		918003	918004	912003	912004	913060	914103	915177	916244	917060	900290	528-142	528-144
KOM	PC650-5		SEALED	2.185	12.614	3.445	8.504	10.250	8-HOLE	910042	910120	910220		918003	918004	912003	912004	913046	914109	915125	916126	917060	900290	528-142	528-144
KOM	PC700		SEALED	2.185	12.614	3.445	8.504	10.250	8-HOLE	910042	910120	910220		918003	918004	912003	912004	913046	914109	915125	916126	917060	900290	528-142	528-144
KOM	PC710		SEALED	2.185	12.614	3.445	8.504	10.250	8-HOLE	910042	910120	910220		918003	918004	912003	912004	913046	914109	915125	916126	917060			
KOM	PC75	Berco KM3041A	SEALED	0.945	5.157	1.614	3.185	6.063	ADJ	910013*			918001	918002	912005	912006	913034	914190	915180-150	916368	917059	900290	528-142	528-144	
KOM	PC750		DRY TRACK	2.200	12.610	3.440	8.890	10.250	8-HOLE	910042	910120	910220		918003	918004	912003	912004	913046	914135	915125	916219	917060	900290	528-142	528-144



WTC Machinery Corporation
91 Series Track Tooling Chart

2/13/2024

Make	Model	Comments	Type	Pin Dia.	Pin Length	Bushing Dia.	Bushing Length	Pitch	Jaw Type	Jaw (*qty 2)	Side Plates (2)	Shims(4) Unless Specified	RH Tool Bar	LH Tool Bar	Tool Holder ADJ (2)	Tool Holder Stat (2)	Pin Dissy (2)	Bushing Dissy (2)	Pin Assembly (2)	Bushing Assembly (2)	Shim Group	M.B.A. (2)	Plate for WS-310 (1)	Shim for WS-310 (2)
KOM	PC750SE-6		SEALED	2.185	12.614	3.445	8.504	10.250	8-HOLE	910042	910120 910220		918003	918004	912003	912004	913046	914109	915125	916126	917060	9002010	528-142	
KOM	PC80	PITCH ALSO 6.89	SEALED	1.181	6.811	1.811	3.713	6.063	ADJ	800005*			918001	918002	912005	912006	913031	914119	915126	916190	917059	900290	528-142	528-144
KOM	PC800		SEALED	2.185	12.614	3.445	8.504	10.250	8-HOLE	910042	910120 910220		918003	918004	912003	912004	913046	914109	915125	916126	917060	900202	528-142	
KOM	PC80-1		SEALED	1.181	6.535	1.819	3.713	6.062	ADJ	800005*			918001	918002	912005	912006	913031	914035	915110	916011	917059	900202	528-142	
KOM	PC80-3		SEALED	1.181	6.535	1.819	3.713	6.062	ADJ	800005*			918001	918002	912005	912006	913031	914035	915110	916011	917059	900290	528-142	528-144
KOM	PC850-8R1		SEALED	2.177	12.614	3.445	8.889	10.250	8-HOLE	910042	910120 910220		918003	918004	912003	912004	913046	914153	915125	916308	917060			
KUBOTA	KH170L	EXC	UNSEALED	0.994	5.510	0.622	3.640	5.310	ADJ	910013*			918001	918002	912005	912006	913037	914084	915040	916067	917059		528-150	
LIEBHERR	631	MAY WORK	SALT	1.752	9.060	2.621	5.780	7.985	8-HOLE	910025	910114 910214	910314	918003	918004	912003	912004	913013	914015	915003	916016	917060		528-142	528-146
LIEBHERR	PR711		SALT	1.315	7.220	2.205	4.440	6.735	ADJ	800001*			918001	918002	912005	912006	913027	914062	915052	916156	917059			
LIEBHERR	PR721		SALT	1.442	8.120	2.312	5.210	6.735	ADJ	800001*			918001	918002	912005	912006	913008	914070	915052	916074			528-150	
LIEBHERR	PR731		SALT	1.752	9.060	2.621	5.780	7.985	8-HOLE	910025	910114 910214	910314(2)	918003	918004	912003	912004	913013	914015	915003	916016	917060	900239	528-142	528-148
LIEBHERR	R912		SEALED	1.314	7.000	1.993	4.830	6.735	ADJ	800001*			918001	918002	912005	912006	913002	914002	915002	916002	917059	900239	528-142	528-148
LIEBHERR	R922		SEALED	1.314	7.000	1.993	4.830	6.735	ADJ	800001*			918001	918002	912005	912006	913002	914002	915002	916002	917059	900237	528-142	528-146
LIEBHERR	R932		SEALED	1.442	8.130	2.118	5.700	6.735	ADJ	800001*	910103 910203		918001	918002	912005	912006	913008	914009	915009	916009	917059	900237	528-142	528-146
LINKBELT	LS2800		SEALED	1.442	8.130	2.118	5.700	6.735	ADJ	800001*			918001	918002	912005	912006	913008	914009	915009	916009	917059	900227	528-143	528-147
LINKBELT	LS4800		SEALED	1.878	9.880	2.812	6.960	8.500	8-HOLE	910024	910108 910208	910308	918003	918004	912003	912004	913005	914013	915012	916013	917060	900227	528-143	528-147
LINKBELT	LS5400		SEALED	1.878	9.880	2.812	6.960	8.500	8-HOLE	910024	910108 910208	910308	918003	918004	912003	912004	913005	914013	915012	916013	917060	900227	528-143	528-147
LINKBELT	LS5800		SEALED	1.878	9.880	2.812	6.960	8.500	8-HOLE	910024	910108 910208	910308	918003	918004	912003	912004	913005	914013	915012	916013	917060	900236	528-143	528-147
LINKBELT	LS6400		SEALED	2.003	11.440	2.996	7.940	9.000	8-HOLE	910016	910108 910208	910308(8)	918003	918004	912003	912004	913001	914001	915001	916001	917060	900236	528-143	528-147
LINKBELT	LS7400		SEALED	2.003	11.440	2.996	7.940	9.000	8-HOLE	910016	910108 910208	910308(8)	918003	918004	912003	912004	913001	914001	915001	916001	917060	900237	528-142	528-146
LINKBELT	LS7800		SEALED	1.442	8.130	2.118	5.700	6.735	ADJ	800001*			918001	918002	912005	912006	913008	914009	915009	916009	917059	900234	528-150	528-144
LINKBELT	LS9800		SEALED	1.752	9.880	2.621	6.870	7.985	8-HOLE	910025	910114 910214	910314(8)	918003	918004	912003	912004	913012	914012	915012	916015	917060	900282	528-142	528-146
MASSEY-FERGUSSON	MF200B		SEALED	1.063	5.750	1.654	3.980	5.512	ADJ	800005*			918001	918002	912005	912006	913042	914101	915004	916113	917059	900253	528-142	528-148
MASSEY-FERGUSSON	MF2244		RECESSED	0.984	5.420	1.468	3.920	5.512	ADJ	800005*			918001	918002	912005	912006	913030	914065	915057	916108	917059	900252	528-150	528-145
MASSEY-FERGUSSON	MF300		RECESSED	1.299	6.610	1.968	4.800	6.299	ADJ	800005*			918001	918002	912005	912006	913043	914096	915002	916111	917059	900281	528-150	528-146
MASSEY-FERGUSSON	MF300		SEALED	1.299	6.610	1.968	4.610	6.299	ADJ	800005*			918001	918002	912005	912006	913027	914016	915078	916107	917059	900280	528-150	528-145
MASSEY-FERGUSSON	MF400C		SEALED	1.380	7.010	2.048	4396.000	6.690	ADJ	800005*	910104 910204	910304(8)	918001	918002	912005	912006	913027	914098	915078	916110	917059	900252	528-150	528-145
MASSEY-FERGUSSON	MF450		RECESSED	1.299	6.610	1.968	4.800	6.299	ADJ	800005*			918001	918002	912005	912006	913043	914096	915002	916111	917059	900251	528-150	
MASSEY-FERGUSSON	MF500		RECESSED	1.378	7.170	2.048	4.850	6.690	ADJ	800005*	910104 910204	910304(8)	918001	918002	912005	912006	913027	914099	915080	916112	917059	900279	528-142	528-146
MASSEY-FERGUSSON	MF500B		SEALED	1.441	8.110	2.122	5.700	6.750	ADJ	800005*	910104 910204		918001	918002	912005	912006	913019	914097	915079	916009	917059	900234	528-150	528-144
MASSEY-FERGUSSON	MF600C		SEALED	1.752	8.660	2.618	5.950	7.980	8-HOLE	910025	910114 910214		918003	918004	912003	912004	913041	914015	915081	916015	917060	900280	528-150	528-145
MASSEY-FERGUSSON	MFD400C		SEALED	1.380	7.010	2.048	4396.000	6.690	ADJ	800005*	910104 910204	910304(8)	918001	918002	912005	912006	913027	914098	915078	916110	917059	900227	528-143	528-147
MASSEY-FERGUSSON	MFD700C		SEALED	1.880	9.880	2.811	6.970	8.500	8-HOLE	910024	910108 910208	910308	918003	918004	912003	912004	913012	914100	915062	916114	917060	528-143	528-146	
TEREX	82-20AA		RECESSED	1.750	9.190	2.880	70.060	8.000	8-HOLE	910025	910114 910214	910314	918003	918004	912003	912004	913040	914095	915075	916106	917060	528-143	528-146	
TEREX	82-30		RECESSED	1.750	9.190	2.880	70.060	8.000	8-HOLE	910025	910114 910214	910314(20)	918003	918004	912003	912004	913040	914095	915075	916106	917060	528-143	528-146	
TEREX	82-30AA		RECESSED	1.750	11.520	2.880	8.210	8.000	8-HOLE	910025	910114 910214	910314(20)	918003	918004	912003	912004	913033	914094	915021	916105	917060	528-143	528-145	
TEREX	82-30B		RECESSED	2.000	11.520	3.190	8.210	9.000	8-HOLE	910016	910108 910208		918003	918004	912003	912004	913011	914075	915077	916104	917060	528-143	528-146	
TEREX	82-30FA		RECESSED	1.750	11.520	2.880	8.210	8.000	8-HOLE	910025	910114 910214	910314(20)	918003	918004	912003	912004	913033	914094	915021	916105	917060	528-143	528-146	
TEREX	82-40AA		RECESSED	1.750	11.520	2.880	8.210	8.000	8-HOLE	910025	910114 910214	910314(20)	918003	918004	912003	912004	913033	914094	915021	916105	917060	528-143	528-146	
TEREX	82-40CA		RECESSED	1.750	11.520	2.880	8.210	8.000	8-HOLE	910025	910114 910214	910314(20)	918003	918004	912003	912004	913033	914094	915021	916105	917060	528-143	528-145	
TEREX	82-40DA		RECESSED	2.000	11.520	3.190	8.210	9.000	8-HOLE	910016	910108 910208		918003	918004	912003	912004	913011	914075	915077	916104	917060	528-150		
TEREX	82-50		RECESSED	2.380	12.380	3.500	8.800	10.312	8-HOLE	910042	910120 910220		918003	918004	912003	912004	913035	914093	915063	916102	917060	528-143	528-145	
TEREX	82-80DA		RECESSED	2.000	12.380	3.190	8.800	9.000	8-HOLE	910016	910108 910208	910308(8)	918003	918004	912003	912004	913009	914019	915076	916103	917060	528-143	528-145	



Make	Model	Comments	Type	Pin Dia.	Pin Length	Bushing Dia.	Bushing Length	Pitch	Jaw Type	Jaw (*qty 2)	Side Plates (2)		Shims(4) Unless Specified	RH Tool Bar	LH Tool Bar	Tool Holder ADJ (2)	Tool Holder Stat (2)	Pin Dissy (2)	Bushing Dissy (2)	Pin Assembly (2)	Bushing Assembly (2)	Shim Group	M.B.A. (2)	Plate for WS-310 (1)	Shim for WS-310 (2)
TEREX	TC-12		RECESSED	2.000	12.380	3.190	8.800	9.000	8-HOLE	910016	910108	910208	910308(8)	918003	918004	912003	912004	913009	914019	915076	916103	917060			
VOLVO	EC150LC			1.496	8.188	2.323	5.724	7.500	ADJ	800001*				918001	918002	912001	912002	913029	914071	915234	916281			528-143	528-147
VOLVO	ECR305C		SEALED	1.811	9.990	2.811	6.200	8.500	8-HOLE	910024	910108	910208	910308	918003	918004	912003	912004	913012	914006	915311	916345	917060			