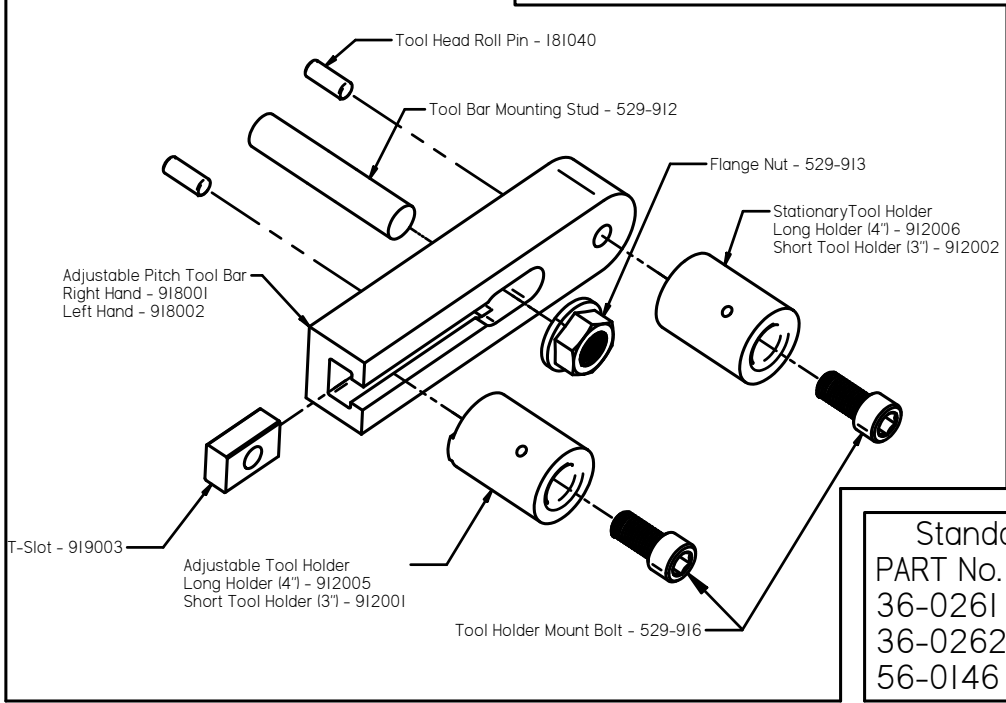
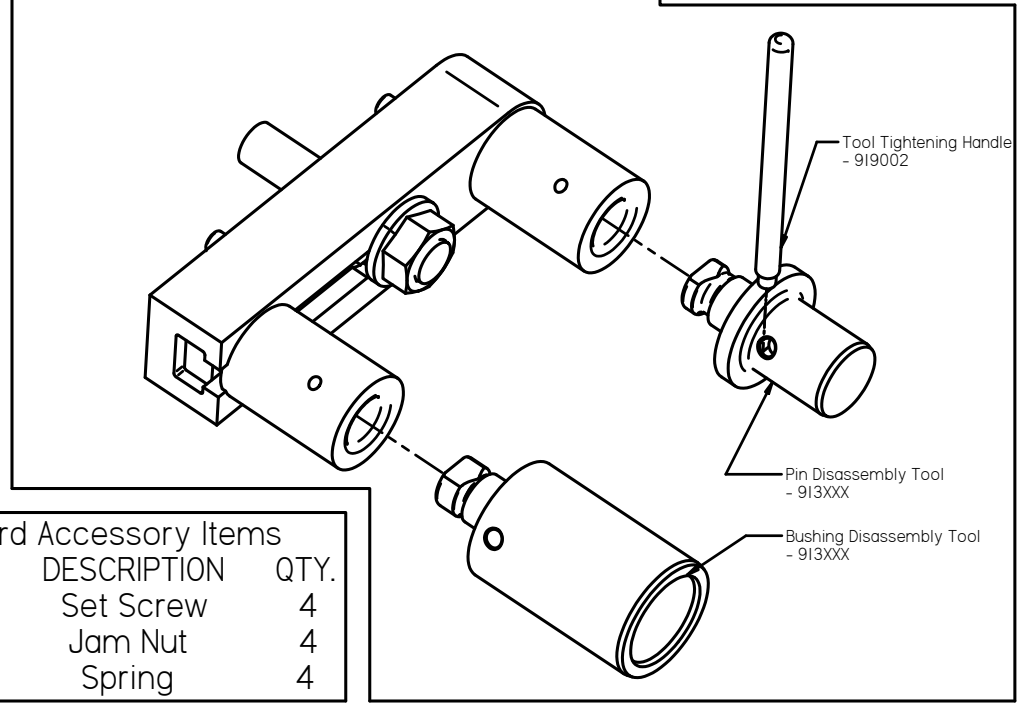


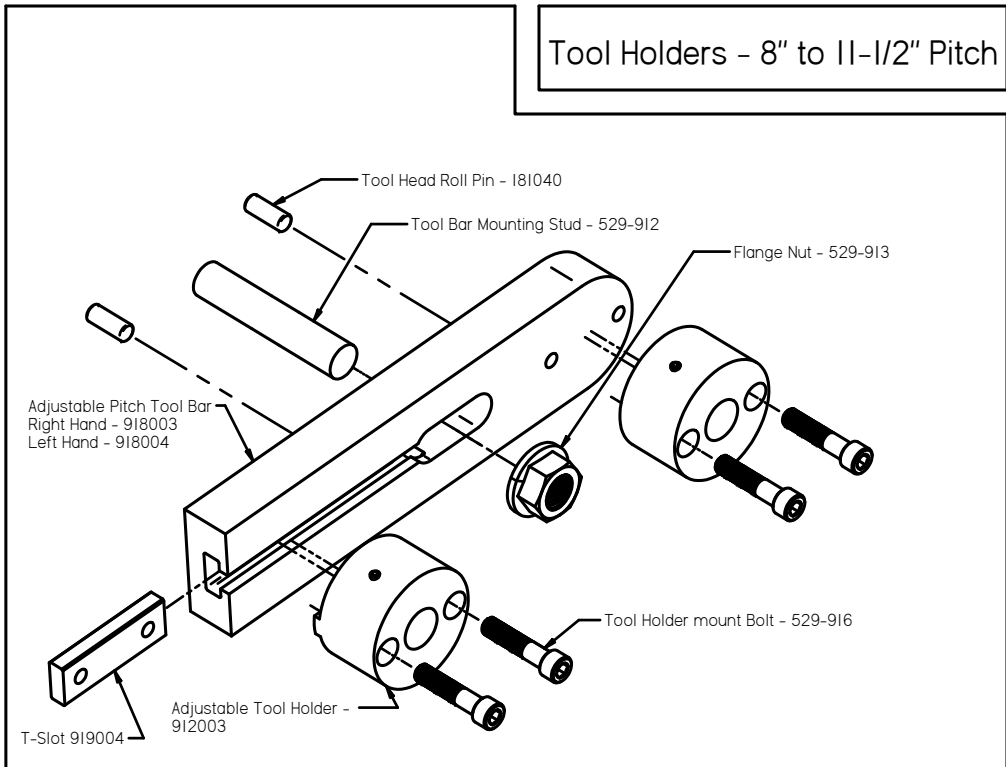
Tool Holders - 5-1/2" to 8" Pitch



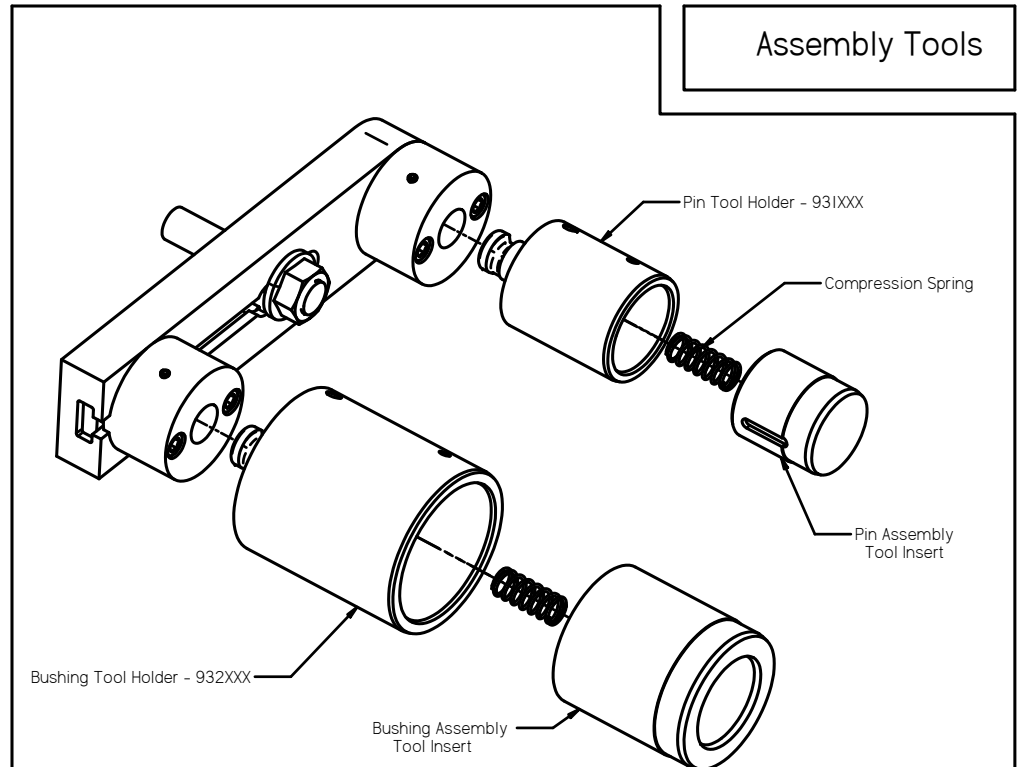
Disassembly Tools



Tool Holders - 8" to 11-1/2" Pitch



Assembly Tools





MAKE	MODEL	TYPE	PIN DIA.	PIN LENGTH	BUSHING DIA.	BUSHING LENGTH	PITCH	JAW	SIDE PLATES	SHIMS (QTY)	RH TOOL BAR	LH TOOL BAR	ADJ TOOL HOLDER	STAT TOOL HOLDER	PIN DISS'Y	BUSHING DISS'Y	PIN HOLDER	PIN INSERT	Pin Assembly	BUSHING HOLDER	BUSHING INSERT	Bushing Assembly	SET SCREW	SPRING	SHIM GROUP	NOTES	WS-200 ToolBar	Tool Kit
J.D.	690C	RECESSED	1.32	6.97	1.99	5	6.75	800001			918001	918002	912005	912006	913027	914016	931048	B1903-129	935074	932047	B1903-277	936096	36-0261	56-0146			93-008	
J.D.	690D	RECESSED	1.32	6.97	1.99	5	6.75	800001			918001	918002	912005	912006	913027	914016	931048	B1903-129	935074	932047	B1903-277	936096	36-0261	56-0146			93-008	
J.D.	693B	RECESSED	1.32	6.97	1.99	5	6.75	800001			918001	918002	912005	912006	913027	914016	931048	B1903-129	935074	932047	B1903-277	936096	36-0261	56-0146			93-008	
J.D.	590D	SEALED	1.378	7.598	2.116	4.819	6.75	800001	910104 910204		918001	918002	912005	912006	913019	914011	931043	B1903-113	935002	932043	B1903-271	936192	36-0261	56-0146			93-013	
J.D.	EX150	SEALED	1.378	7.598	2.116	4.819	6.75	800001	910104 910204		918001	918002	912005	912006	913019	914011	931043	B1903-113	935002	932043	B1903-271	936192	36-0261	56-0146			93-013	
J.D.	110	SEALED	1.319	7.008	1.984	4.54	6.75	800001			918001	918002	912005	912006	913027	914034	931043	B1903-113	935002	932044	B1903-302	936174	36-0261	56-0146			93-012	
J.D.	120	SEALED	1.319	7.008	1.984	4.54	6.75	800001			918001	918002	912005	912006	913027	914034	931043	B1903-113	935002	932044	B1903-302	936174	36-0261	56-0146			93-012	
J.D.	135	SEALED	1.319	7.008	1.984	4.54	6.75	800001			918001	918002	912005	912006	913027	914034	931043	B1903-113	935002	932044	B1903-302	936174	36-0261	56-0146			93-012	
J.D.	120C	SEALED	1.319	7.008	1.984	4.54	6.75	800001			918001	918002	912005	912006	913027	914034	931043	B1903-113	935002	932044	B1903-302	936174	36-0261	56-0146			93-012	
J.D.	490D	SEALED	1.319	7.008	1.984	4.54	6.75	800001			918001	918002	912005	912006	913027	914034	931043	B1903-113	935002	932044	B1903-302	936174	36-0261	56-0146			93-012	
J.D.	EX120	SEALED	1.319	7.008	1.984	4.54	6.75	800001			918001	918002	912005	912006	913027	914034	931043	B1903-113	935002	932044	B1903-302	936174	36-0261	56-0146			93012	
J.D.	655	SEALED	1.44	8.11	2.314	5.7	6.909	800001			918001	918002	912005	912006	913019	914032	931041	B1903-115	935042	932042	B1903-281	936145	36-0261	56-0146			93-014	
J.D.	750	SEALED	1.44	8.11	2.314	5.7	6.909	800001			918001	918002	912005	912006	913019	914032	931041	B1903-115	935042	932042	B1903-281	936145	36-0261	56-0146			93-014	
J.D.	755	SEALED	1.44	8.11	2.314	5.7	6.909	800001			918001	918002	912005	912006	913019	914032	931041	B1903-115	935042	932042	B1903-281	936145	36-0261	56-0146			93-014	
J.D.	693D	SEALED	1.44	8.11	2.314	5.7	6.909	800001			918001	918002	912005	912006	913019	914032	931041	B1903-115	935042	932042	B1903-281	936145	36-0261	56-0146			93-014	
J.D.	750B	SEALED	1.44	8.11	2.314	5.7	6.909	800001			918001	918002	912005	912006	913019	914032	931041	B1903-115	935042	932042	B1903-281	936145	36-0261	56-0146			93-014	
J.D.	755B	SEALED	1.44	8.11	2.314	5.7	6.909	800001			918001	918002	912005	912006	913019	914032	931041	B1903-115	935042	932042	B1903-281	936145	36-0261	56-0146			93-014	
J.D.	JD700HLGP	SEALED	1.44	8.11	2.44	5.7	6.909	800001			918001	918002	912005	912006	913019	914032	931041	B1903-115	935042	932042	B1903-281	936145	36-0261	56-0146			93-014	
J.D.	750	SALT	1.44	8.11	2.31	5.218	6.9909								913008	914032	931041	B1903-115	935042	932042	B1903-280	936162	36-0261	56-0146			935015	
J.D.	750J	SALT	1.5	9.39	2.55	5.3	7.48				918001	918002	912001	912002	913019	914113	931034	B1903-375	935080	932035	B1903-376	936242	36-0261	56-0146			93-031	
J.D.	850	SALT	1.753	9.06	2.621	5.79	7.984	910025	910114 910214	910314	918001	918002	912003	912004	913013	914015	931039	B1903-117	935106	932030	B1903-219	936016	36-0261	56-0146			93-032	
J.D.	755A	SALT	1.753	9.06	2.621	5.79	7.984	910025	910114 910214	910314	918001	918002	912003	912004	913013	914015	931039	B1903-117	935106	932030	B1903-219	936016	36-0261	56-0146			93-032	
J.D.	755B	SALT	1.753	9.06	2.621	5.79	7.984	910025	910114 910214	910314	918001	918002	912003	912004	913013	914015	931039	B1903-117	935106	932040	B1903-118	936016	36-0261	56-0146			93-032	
J.D.	850B	SALT	1.753	9.06	2.621	5.79	7.984	910025	910114 910214	910314	918001	918002	912003	912004	913013	914015	931039	B1903-117	935106	932040	B1903-118	936016	36-0261	56-0146			93-032	
J.D.	850C	SALT	1.753	9.06	2.621	5.79	7.984	910025	910114 910214	910314	918001	918002	912003	912004	913013	914015	931039	B1903-117	935106	932040	B1903-118	936016	36-0261	56-0146			93-032	
J.D.	850J	SALT	1.75	10.31	2.75	5.88	8	910025	910114 910214	910314	918003	918004	912003	912004	913063	914015	931033	B1903-377	935175	932034	B1903-378	936240	36-0261	56-0146			93-033	
J.D.	1050C		2	10.31	3	6.38	8.5	910024	910108 910208		918003	918004	912003	912004	913045	914108	931035	B1903-380		932036	B1903-380		36-0261	56-0146			935034	
J.D.	1050K	SALT	1.878	9.921	2.938	6.405	8.5	910024	910108	910208	918003	918004	912003	912004	913011	914001	B1903-090	935102	935102	932072	B1903-520	936302	36-0261	56-0150				
KOM	D30	SALT	1.102	6.69	1.85	3.63	6.06	800005			918003	918004	912005	912006	913034	914083	931032	B1903-172	935058	932032	B1903-175	936143	36-0261	56-0146			93-035	
KOM	D31	SALT	1.102	6.69	1.85	3.63	6.06	800005			918003	918004	912005	912006	913034	914083	931032	B1903-172	935058	932032	B1903-175	936143	36-0261	56-0146			93-035	
KOM	D31-16	SALT	1.102	6.69	1.85	3.63	6.06	800005			918003	918004	912005	912006	913034	914083	931032	B1903-172	935058	932032	B1903-175	936143	36-0261	56-0146			93-035	
KOM	D31E	SALT	1.102	6.69	1.85	3.63	6.06	800005			918003	918004	912005	912006	913034	914083	931032	B1903-172	935058	932032	B1903-175	936143	36-0261	56-0146			93-035	
KOM	D31P	SALT	1.102	6.69	1.85	3.63	6.06	800005			918003	918004	912005	912006	913034	914083	931032	B1903-172	935058	932032	B1903-175	936143	36-0261	56-0146			93-035	
KOM	D31P-20	SALT	1.102	6.69	1.85	3.63	6.06	800005			918003	918004	912005	912006	913034	914083	931032	B1903-172	935058	932032	B1903-175	936143	36-0261	56-0146			93-035	
KOM	D31PL	SALT	1.102	6.69	1.85	3.63	6.06	800005			918003	918004	912005	912006	913034	914083	931032	B1903-172	935058	932032	B1903-175	936143	36-0261	56-0146			93-035	
KOM	D31PLL	SALT	1.102	6.69	1.85	3.63	6.06	800005			918003	918004	912005	912006	913034	914083	931032	B1903-172	935058	932032	B1903-175	936143	36-0261	56-0146			93-035	
KOM	D31PX	SALT	1.102	6.69	1.85	3.63	6.06	800005			918003	918004	912005	912006	913034	914083	931032	B1903-172	935058	932032	B1903-175	936143	36-0261	56-0146			93-035	
KOM	D31S	SALT	1.102	6.69	1.85	3.63	6.06	800005			918003	918004	912005	912006	913034	914083	931032	B1903-172	935058	932032	B1903-175	936143	36-0261	56-0146			93-035	



MAKE	MODEL	TYPE	PIN DIA.	PIN LENGTH	BUSHING DIA.	BUSHING LENGTH	PITCH	JAW	SIDE PLATES	SHIMS (QTY)	RH TOOL BAR	LH TOOL BAR	ADJ TOOL HOLDER	STAT TOOL HOLDER	PIN DISS'Y	BUSHING DISS'Y	PIN HOLDER	PIN INSERT	Pin Assembly	BUSHING HOLDER	BUSHING INSERT	Bushing Assembly	SET SCREW	SPRING	SHIM GROUP	NOTES	WS-200 ToolBar	Tool Kit
KOM	D37	SALT	1.102	6.69	1.85	3.63	6.06	800005			918003	918004	912005	912006	913034	914083	931032	B1903-172	935058	932032	B1903-175	936143	36-0261	56-0146			93-035	
KOM	D37E	SALT	1.102	6.69	1.85	3.63	6.06	800005			918003	918004	912005	912006	913034	914083	931032	B1903-172	935058	932032	B1903-175	936143	36-0261	56-0146			93-035	
KOM	D37P	SALT	1.102	6.69	1.85	3.63	6.06	800005			918003	918004	912005	912006	913034	914083	931032	B1903-172	935058	932032	B1903-175	936143	36-0261	56-0146			93-035	
KOM	PC120-1	SEALED	1.181	6.535	1.819	3.713	6.062	800005			918001	918002	912005	912006	913031	914035	931026	B1903-505		931026	B1903-581		36-0261	56-0146			935036	
KOM	PC120-2	SEALED	1.181	6.535	1.819	3.713	6.062	800005			918001	918002	912005	912006	913031	914035	931026	B1903-505	935110	931026	B1903-581	936011	36-0261	56-0146			935036	
KOM	PC120-3	SEALED	1.181	6.535	1.819	3.713	6.062	800005			918001	918002	912005	912006	913031	914035	931026	B1903-505		931026	B1903-581		36-0261	56-0146			935036	
KOM	PC100	SEALED	1.181	6.811	1.811	3.712	6.063	800005			918001	918002	912005	912006	913031	914119	931027	B1903-173	935126	932027	B1903-177	936190	36-0261	56-0146			93-037	
KOM	PC120	SEALED	1.181	6.811	1.811	3.712	6.063	800005			918001	918002	912005	912006	913031	914119	931027	B1903-173	935126	932027	B1903-177	936190	36-0261	56-0146			93-037	
KOM	PC80	SEALED	1.181	6.811	1.811	3.712	6.063	800005			918001	918002	912005	912006	913031	914119	931027	B1903-173	935126	932027	B1903-177	936190	36-0261	56-0146			935037	
KOM	D40	SALT	1.377	7.13	2.043	5.19	6.89	800001			918001	918002	912001	912002	913032	914073	931015	B1903-499	935060	932015	B1904-500	936165	36-0261	56-0146			93-038	
KOM	D50	SALT	1.377	7.13	2.043	5.19	6.89	800001			918001	918002	912001	912002	913032	914073	931015	B1903-499	935060	932015	B1904-500	936165	36-0261	56-0146			93-038	
KOM	D53	SALT	1.377	7.13	2.043	5.19	6.89	800001			918001	918002	912001	912002	913032	914073	931015	B1903-499	935060	932015	B1904-500	936165	36-0261	56-0146			93-038	
KOM	D58	SALT	1.377	7.13	2.043	5.19	6.89	800001			918001	918002	912001	912002	913032	914073	931015	B1903-499	935060	932015	B1904-500	936165	36-0261	56-0146			93-038	
KOM	D63E	SALT	1.377	7.13	2.043	5.19	6.89	800001			918001	918002	912001	912002	913032	914073	931015	B1903-499	935060	932015	B1904-500	936165	36-0261	56-0146			93-038	
KOM	PC100	SEALED	1.18	6.81	1.82	3.41	6.89	800001			918001	918002	912001	912002	913004	914138	931020	B1903-505	935161	932020	B1903-506	936221	36-0261	56-0146			93-039	
KOM	PC100-6	SEALED	1.18	6.81	1.82	3.41	6.89	800001			918001	918002	912001	912002	913004	914138	931020	B1903-505	935161	932020	B1903-506	936221	36-0261	56-0146			93-039	
KOM	PC120	SEALED	1.18	6.81	1.82	3.41	6.89	800001			918001	918002	912001	912002	913004	914138	931020	B1903-505	935161	932020	B1903-506	936221	36-0261	56-0146			93-039	
KOM	PC120LC-6	SEALED	1.18	6.81	1.82	3.41	6.89	800001			918001	918002	912001	912002	913004	914138	931020	B1903-505	935161	932020	B1903-506	936221	36-0261	56-0146			93-039	
KOM	PC130-6	SEALED	1.18	6.81	1.82	3.41	6.89	800001			918001	918002	912001	912002	913004	914138	931020	B1903-505	935161	932020	B1903-506	936221	36-0261	56-0146			93-039	
KOM	PC138	SEALED	1.18	6.81	1.82	3.41	6.89	800001			918001	918002	912001	912002	913004	914138	931020	B1903-505	935161	932020	B1903-506	936221	36-0261	56-0146			93-039	
KOM	PC200	SEALED	1.496	8.661	2.165	5.453	7.48	800001			918001	918002	912001	912002	913032	914071	931015	B1903-499	935060	932021	B1903-189	936086	36-0261	56-0146			93-040	
KOM	PC200-6	SEALED	1.496	8.661	2.165	5.453	7.48	800001			918001	918002	912001	912002	913032	914071	931015	B1903-499	935060	932021	B1903-189	936086	36-0261	56-0146			93-040	
KOM	PC200-7	SEALED	1.496	8.661	2.165	5.453	7.48	800001			918001	918002	912001	912002	913032	914071	931021	B1903-187	935060	932021	B1903-189	936086	36-0261	56-0146			93-040	
KOM	PC200-8	SEALED	1.496	8.661	2.165	5.453	7.48	800001			918001	918002	912001	912002	913032	914071	931021	B1903-187	935060	932021	B1903-189	936086	36-0261	56-0146			93-040	
KOM	PC220	SEALED	1.496	8.661	2.165	5.453	7.48	800001			918001	918002	912001	912002	913032	914071	931021	B1903-187	935060	932021	B1903-189	936086	36-0261	56-0146			93-040	
KOM	PC240LC-6	SEALED	1.496	8.661	2.165	5.453	7.48	800001			918001	918002	912001	912002	913032	914071	931021	B1903-187	935060	932021	B1903-189	936086	36-0261	56-0146			93-040	
KOM	PC300	SALT	1.75	9.53	2.618	6.08	8	910025	910114 910214	910314	918003	918004	912003	912004	913013	914015	931022	B1903-192	935097	932022	B1903-196	936118	36-0261	56-0146			93-041	
KOM	PC300	SEALED	1.76	9.53	2.618	6.26	8	610025			918003	918004	912003	912004	913063	914012	931019	B1903-192	935076	932019	B1903-196	936279	36-0261	56-0146			93-042	
KOM	D75	SALT	1.85	10	2.803	6.29	8.5	910024	910108 910208		918003	918004	912003	912004	913012	914006	931028	B1903-199	935096	932033	B1903-200	936138	36-0261	56-0146	C-Style on WS200		93-043	
KOM	D80	SALT	1.85	10	2.803	6.29	8.5	910024	910108 910208		918003	918004	912003	912004	913012	914006	931028	B1903-199	935096	932033	B1903-200	936138	36-0261	56-0146	C-Style on WS200		93-043	
KOM	D85	SALT	1.85	10	2.803	6.29	8.5	910024	910108 910208		918003	918004	912003	912004	913012	914006	931028	B1903-199	935096	932033	B1903-200	936138	36-0261	56-0146	C-Style on WS200		93-043	
KOM	D85PX	SALT	1.85	10	2.803	6.29	8.5	910024	910108 910208		918003	918004	912003	912004	913012	914006	931028	B1903-199	935096	932033	B1903-200	936138	36-0261	56-0146	C-Style on WS200		93-043	
KOM	D85PX-15	SALT	1.85	10	2.803	6.29	8.5	910024	910108 910208		918003	918004	912003	912004	913012	914006	931028	B1903-199	935096	932033	B1903-200	936138	36-0261	56-0146	C-Style on WS200		93-043	
KOM	D95	SALT	1.85	10	2.803	6.29	8.5	910024	910108 910208		918003	918004	912003	912004	913012	914006	931028	B1903-199	935096	932033	B1903-200	936138	36-0261	56-0146	C-Style on WS200		93-043	
KOM	PC400-3	SEALED	1.8425	10	2.925	6.476	8.5039	910024	910112 910212	910312	918003	918004	912003	912004	913012	914081	931028	B1903-199	935096	932025	B1903-583	936119	36-0261	56-0146	C-Style on WS200		935044	
KOM	PC400-5	SEALED	1.8425	10	2.925	6.476	8.5039	910024	910112 910212	910312	918003	918004	912003	912004	913012	914081	931028	B1903-199	935096	932025	B1903-583	936119	36-0261	56-0146	C-Style on WS200		935044	
KOM	PC400-6	SEALED	1.8425	10	2.925	6.476	8.5039	910024	910112 910212	910312	918003	918004	912003	912004	913012	914081	931028	B1903-199	935096	932025	B1903-583	936119	36-0261	56-0146	C-Style on WS200		935044	
KOM	PC-400 EX	SEALED	1.85	10	2.79	6.476	8.504	910024			918003	918004	912003	912004	913064	914103	931024	B1903-507	935232	932024	B1903-585	936246	36-0261	56-0146	C-Style on WS200		935045	



WTC Machinery LLC
93 Series Tooling

6/9/2022

MAKE	MODEL	TYPE	PIN DIA.	PIN LENGTH	BUSHING DIA.	BUSHING LENGTH	PITCH	JAW	SIDE PLATES	SHIMS (QTY)	RH TOOL BAR	LH TOOL BAR	ADJ TOOL HOLDER	STAT TOOL HOLDER	PIN DISS'Y	BUSHING DISS'Y	PIN HOLDER	PIN INSERT	Pin Assembly	BUSHING HOLDER	BUSHING INSERT	Bushing Assembly	SET SCREW	SPRING	SHIM GROUP	NOTES	WS-200 ToolBar	Tool Kit			
KOM	PC300HD-6	SEALED	1.85	9.92	2.8	6.47	9	910016	910108 910208	910308	918003	918004	912003	912004	913026	914136	931023	B1903-507		932023	B1903-508		36-0261	56-0146				935046			
KOM	PC600-6		1.92	11.41	2.87	7.9	9		C-Style Required																						
KOM	PC600-7		1.92	11.41	2.87	7.9	9		C-Style Required																						
KOM	PC600LC-6		1.92	11.41	2.87	7.9	9		C-Style Required																						
KOM	PC600LC-7		1.92	11.41	2.87	7.9	9		C-Style Required																						
KOM	D275A-2	SALT	2.244	12.614	3.622	8.195	10.25		C-Style Required																						
KOM	D375	SALT	2.244	12.614	3.622	8.195	10.25	910042	C-Style Required																						
KOM	D375-2	SALT	2.244	12.614	3.622	8.195	10.25	910042	C-Style Required																						
KOM	D375-3	SALT	2.244	12.614	3.622	8.195	10.25	910042	C-Style Required																						
KOM	D375A-1	SALT	2.244	12.614	3.622	8.195	10.25	910042	C-Style Required																						
KOM	PC1000	SALT	2.244	12.614	3.622	8.744	10.25	910042	C-Style Required																						
KOM	PC1000-1	SALT	2.244	12.614	3.622	8.195	10.25	910042	C-Style Required																						
KOM	PC1000SE-1	SALT	2.244	12.614	3.622	8.195	10.25	910042	C-Style Required																						
KOM	PC600	SEALED	2.185	12.614	3.445	8.504	10.25		C-Style Required																						
KOM	PC6550-5	SEALED	2.185	12.614	3.445	8.504	10.25		C-Style Required																						
KOM	PC700	SEALED	2.185	12.614	3.445	8.504	10.25		C-Style Required																						
KOM	PC710	SEALED	2.185	12.614	3.445	8.504	10.25		C-Style Required																						
KOM	PC750SE-6	SEALED	2.185	12.614	3.445	8.504	10.25		C-Style Required																						
KOM	PC800	SEALED	2.185	12.614	3.445	8.504	10.25		C-Style Required																						
KOM	PC1100LC-6	DRY TRACK	2.36	12.77	3.87	8.88	11.03		C-Style Required																						
KOM	PC1100LC-6	DRY TRACK	2.36	12.77	3.87	8.88	11.03		C-Style Required																						
KOM	PC1100SP-6	DRY TRACK	2.36	12.77	3.87	8.88	11.03		C-Style Required																						
KOM	D375A-2	SALT	2.362	12.772	3.878	8.366	11.035	910028	C-Style Required																						
KOM	D375A-3	SALT	2.362	12.772	3.878	8.366	11.035	910028	C-Style Required																						
KOM	D475	SALT	2.756	14.449	4.449	9.606	12.5	910005	C-Style Required																						
KOM	D575A-2	SALT	2.913	17.323	4.961	10.669	12.5	910005	C-Style Required																						
KOM	D575A-2	SALT	2.913	17.323	4.961	10.669	12.5	910005	C-Style Required																						