



WTC MACHINERY Engineered to perform. Built to last.

WTC Machinery is a global leader in designing and building machinery and tooling for heavy equipment repair facilities.

MPP250 - 250 Ton Master Pin Press

Overview

The MPP250 Master Pin Pusher has the power to push the largest of pins. As with the MPP100 and MPP150, this press can be used in the field for emergency track repair on all sizes of track, and is specifically designed for larger pieces of equipment. The MPP250 has been designed to use the same tooling as the MPP150, so the MPP250 will be a great addition to your existing field tools. Pump options include electric, air or gas powered.



Specifications:

Supply	Power	Model	
Electric 120 Volt 60 Hz	17 Ampere 1Ø	MPP250-E	1½ Hp
Electric 220 Volt 60 Hz	9 Ampere 1Ø	MPP250-220DOM	1½ Hp
Electric 220 Volt 50 Hz	9 Ampere 1Ø	MPP250-220	1½ Hp
Electric 220 Volt 50 Hz	9 Ampere 1Ø	MPP250-220CE	1½ Hp
Air 62 SCFM (1.8 m3/min)	100 psi (6.9 bar)	MPP250-A	4 Hp



MPP250 on Travel Skid
MPP250-TS



SECTION 2 – MPP250 Portable Pin Press Specifications

DIMENSIONS

Weight (less Hydraulic Power Supply) 1250 lbs (568 kg) **Length**80 inches (2,03 m)
Width 19 inches (0,48 m) **Height** 27 inches (0,69 m)

ENVIRONMENTAL

Operating Temperature Range - 32 to 100 °F (0 to 38 °C)
 Storage Conditions - 0 to 150 °F (-18 to 65 °C) Non-condensing Moisture

PRESSING CAPACITY

250 Short Tons (277 tonnes)

HYDRAULIC CYLINDER STROKE

Stroke – 18 inches (457 mm) Bore – 8 inches (203 mm)

THROAT DIMENSIONS

Width – 42 inches (1066 mm) Depth – 15 inches (381 mm)

TRACK MODELS

Compatible with all current Bulldozers and conventional-track Excavators

HYDRAULIC POWER SUPPLIES

Maximum Pressure (all units)..... 10,000 p.s.i. (690 bar)

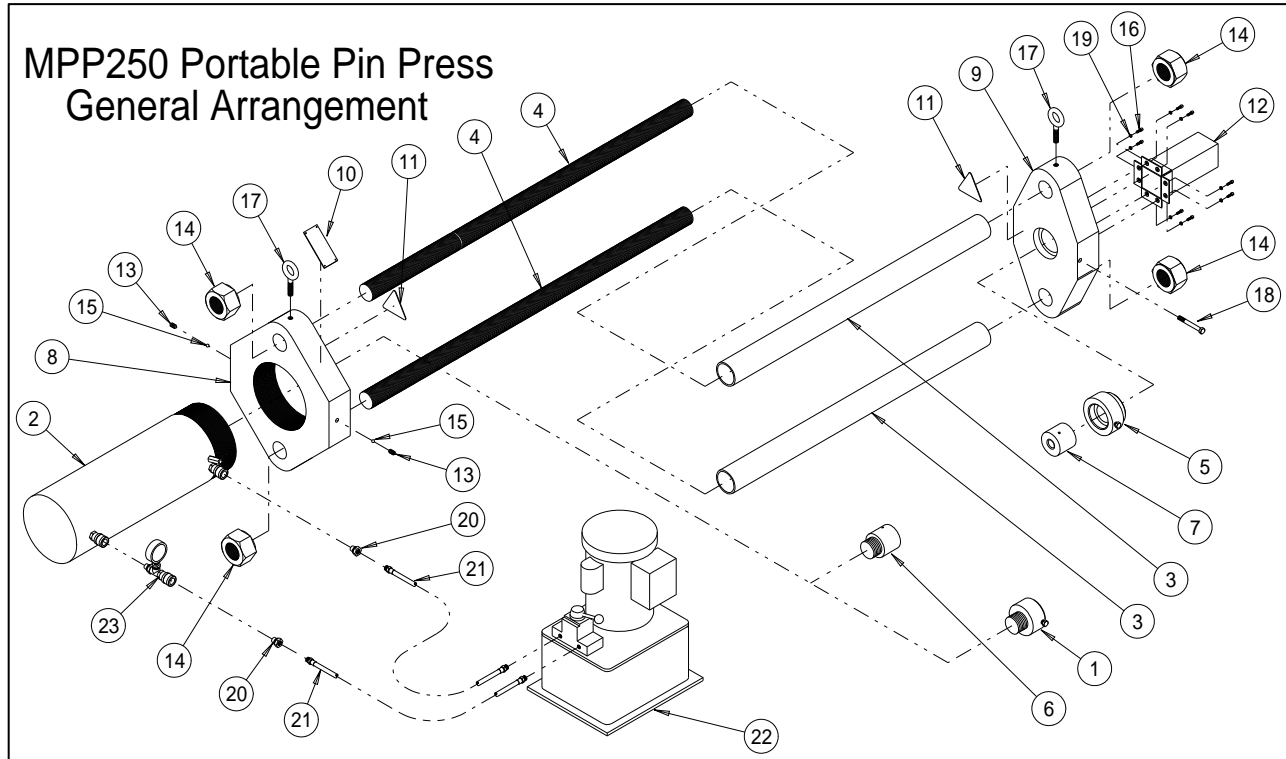
	Compressed Air	115V 60 Hz Electric	220V 50 Hz Electric*
MPP250 Model	MPP250-A	MPP250-E	MPP250-220-CE
Reservoir Capacity	5 gal (18,9 l)	5 gal (18,9 l)	5 gal (18,9 l)
Flow @ 150 psi (10,3 bar)	480 in ³ /min (7,8 lpm)	460 in ³ /min (7,5 lpm)	375 in ³ /min (6,1 lpm)
Flow @ 10000 psi (690 bar)	45 in ³ /min (0,7 lpm)	40 in ³ /min (0,6 lpm)	33 in ³ /min (0,5 lpm)
Power	4 Hp (3,0 kW)	1 Hp (0,8 kW)	1 Hp (0,8 kW)
Power Supply	62 SCFM @ 100 psi 1,8 m ³ /min @ 6,9 bar	17 A @ 115 V 60Hz	13 A @ 220 V 50 Hz
Width	12.8" (325 mm)	27.3" (695 mm)	12.8" (325 mm)
Length	16.5" (419 mm)	12.3" (312 mm)	16.5" (419 mm)
Height	12.3" (312 mm)	18.0" (460 mm)	18.4" (467 mm)
Dry Weight	80 lb (36 kg)	96 lb (44 kg)	96 lb (44 kg)

* - Also available: 9.0 Amps, 230V 60Hz, 1 Phase (MPP250-220DOM)
 9.0 Amps, 220V 50Hz, 1 Phase Non-CE Mark (MPP250-220)

** - Flow based on 20 strokes per minute

SPECIFICATIONS SUBJECT TO CHANGE WITHOUT NOTICE





MPP250 Models –

- MPP250*** MPP250 with Cylinder, less Hydraulic Parts (Pump, Hoses and Fittings)
 – Includes items 1 to 19 - Customer supplied Pump Base and Hydraulic Hoses
- MPP250-E MPP250 with 115 V Electric Powered Pump
 – Includes items 1 to 21, and 34-2215 Electric Pump 115V 60 Hz (item 22)
- MPP250-220DOM MPP250 with 220V 60Hz Electric Powered Pump (Inside North America)
 – Includes items 1 to 21, and 34-2002-220-60 Electric Pump 230V 60 Hz (item 22)
- MPP250-220 MPP250 with 220V 50Hz Powered Electric Pump (Outside North America)
 – Includes items 1 to 21, and 34-2163 Electric Pump 220V 50 Hz (item 22)
- MPP250-220-CE*** MPP250 with CE-Certified 220V 50Hz Powered Electric Pump (European Union)
 – Includes items 1 to 21, and 34-2074 Electric Pump 220V 50 Hz CE-Marked (item 22)
- MPP250-A MPP250 with Compressed Air Powered Pump
 – Includes items 1 to 21, and 34-2173MPP Air-Powered Pump (item 22)

*** Certified 



MPP250 Part Listing – Item Numbers Refer to Parts Identification Drawing (page 3)

Item No.	Part Number	Description	Power Source					
			No Pump MPP250	Electric Pump 120V 60 Hz MPP250-E	Electric Pump 220V 50 Hz MPP250-220 MPP250-220-CE		Electric Pump 220V 60 Hz MPP250-220DOM	Compressed Air Powered Pump MPP250-A
1	A3535	Pin Tool Holder	1	1	1	1	1	1
2	A4153	Hydraulic Cylinder	1	1	1	1	1	1
3	A4158	Connecting Rod Spacer	2	2	2	2	2	2
4	A4159	Connecting Rod	2	2	2	2	2	2
5	A4160	Bushing Adapter	1	1	1	1	1	1
6	B2866	Cylinder-Side Cam Lock Adapter	1	1	1	1	1	1
7	B2867	Backing-Side Cam Lock Adapter	1	1	1	1	1	1
8	B3633	MPP250 Cylinder Yoke	1	1	1	1	1	1
9	B3634	MPP250 Backing Bar	1	1	1	1	1	1
10	109-423	Serial Number Plate – Non-CE	-	1	1	-	1	-
	109-440	Serial Number Plate – CE Mark	1	-	-	1	-	1
11	109-441	Pinch Point Warning Label	2	2	2	2	2	2
12	221-003	Pin Catch Bag	1	1	1	1	1	1
13	36-0228	1/2"-13 X 1/2" Set Screw	2	2	2	2	2	2
14	36-0538	2-1/2"-8 Tie Rod Nut	4	4	4	4	4	4
15	419102	Nylon Pellet	2	2	2	2	2	2
16	529-046	1/4"-20 X 3/4" SHCS	8	8	8	8	8	8
17	529-684	5/8"-11 Eye Bolt	2	2	2	2	2	2
18	529-941	1/2"-13 X 4" SHCS	1	1	1	1	1	1
19	529-1394	1/4" Lock Washer	8	8	8	8	8	8
20	34-2003	Hydraulic Coupling	-	2	2	2	2	2
21	34-2004-12	Hydraulic Hose	-	2	2	2	2	2
22	34-2002-220-60	Pump Base - 220 V 60 Hz	-	-	-	-	1	-
	34-2074	Pump Base - 220 V 50 Hz CE	-	-	-	1	-	-
	34-2163	Pump Base - 220 V 50 Hz	-	-	1	-	-	-
	34-2173MPP	Pump Base - Air Powered	-	-	-	-	-	1
	34-2215	Pump Base - 120 V 60 Hz	-	1	-	-	-	-
23	A5791	Pressure Gauge	Optional – Sold Separately					



Pin Assembly Tools (PAT)
See Tooling Chart for Part Numbers

Assembly Tools

Disassembly Tools
Pin Diameter 0.87" to 1.25"
(22,0 to 31,7 mm)

Disassembly Tools
Pin Diameter 1.25" to 1.37"
(31,7 to 34,9 mm)

Disassembly Tool
Pin Diameter 1.37" to 1.87"
(34,9 to 47,6 mm)

Disassembly Tool
Pin Diameter 1.87" to 2.12"
(47,6 to 53,8 mm)

Disassembly Tools
Pin Diameter 2.12" to 2.50"
(53,8 to 63,5 mm)

Disassembly Tools
Pin Diameter 2.50" to 3.00"
(63,5 to 76,2 mm)

Disassembly Tools
Pin Diameter 3.00" to 3.50"
(76,2 to 88,9 mm)

19	Large Backing Bushing	A6212
18	Extra-Large Backing Bushing	A4157
17	Large Backing Bushing	A3541
16	Medium Backing Bushing	A3540
15	Small Backing Bushing	A3539
14	Medium Pin Tool	A3537
13	Small Pin Tool	A3536
12	1.750" Pin Tool	B3815
11	1.250" Pin Tool	B3635
10	Long 2.375" Pin Tool	B3632
9	Short 2.375" Pin Tool	B3631
8	Short 2.000" Pin Tool	B3608
7	Long 2.000" Pin Tool	B3607
6	Long 2.677" Pin Tool	B3606
5	Short 2.677" Pin Tool	B3605
ITEM	DESCRIPTION	PART NO.

OPTIONAL TOOLING - SOLD SEPARATELY

4	Bushing Adapter	A4160
3	Pin Tool Holder	A3535
2	Back Side Cam-lock Adaptor	B2867
1	Cylinder Side Cam-lock Adaptor	B2866
ITEM	DESCRIPTION	PART NO.

TOOLING INCLUDED WITH THE MPP250

0.75" to 0.80" (19 to 20 mm)	25503
0.80" to 0.86" (20 to 22 mm)	200281-001
0.86" to 1.17" (22 to 30 mm)	200281
1.17" to 1.30" (30 to 33 mm)	25498
1.30" to 1.42" (33 to 36 mm)	25499
1.42" to 1.55" (36 to 40 mm)	25500
1.55" to 1.67" (40 to 43 mm)	25547
1.67" to 1.80" (43 to 46 mm)	25548
1.80" to 1.98" (46 to 50 mm)	25551
1.98" to 2.25" (50 to 57 mm)	25501
More than 2.25" (57 mm)	25553
PIN DIAMETER	PART NO.

OPTIONAL GUIDE PINS (SOLD SEPARATELY)
(USED HOLD TRACK CHAIN ENDS TOGETHER)

MPP250 Pin Press Tooling

Rev. 1 - 1.06.22 - Current Drawings 03/21 - 03/22
Rev. 2 - 1.02.20 - Add Add'l Drawing 03/21
Rev. 3 - 1.02.21 - Add Pin Tool List
Rev. 4 - 11.12.24 - Add Backing Bush