



**WTC MACHINERY** Engineered to perform. Built to last.

WTC Machinery is a global leader in designing and building machinery and tooling for heavy equipment repair facilities.

## MPP150 - 150 Ton Master Pin Press

### Overview

The MPP150 Master Pin Pusher has the pressing force needed to service nearly all bulldozer and excavator chains.

With easy to use disassembly tools and assembly tools for all popular track types, the MPP150 quickly brings track chains back into service. MPP150 is suitable to work on all equipment from your small excavators to the Caterpillar D10 or Komatsu D375 or equivalent piece of equipment.

The MPP150 is offered with a variety of hydraulic pumps to match shop and service truck power.



### Specifications:

Supply	Power	Model	
Hand Pump	-	MPP150-H	-
Electric 120 Volt 60 Hz	25 Ampere 1ø	MPP150-E	1½ Hp
Electric 220 Volt 60 Hz	13 Ampere 1ø	MPP150-220DOM	1½ Hp
Electric 220 Volt 50 Hz	13 Ampere 1ø	MPP150-220	1½ Hp
Air 62 SCFM (1.63 m3/min)	100 psi (6.9 bar)	MPP150-A	4 Hp



Travel/Storage box for MPP150  
MPP150-SB

Travel Skid for MPP150  
MPP150-TS



**SECTION 2 – MPP150 Portable Pin Press Specifications**

**DIMENSIONS**

**Weight** (less Hydraulic Power Supply) 800 lbs (364 kg)      **Length** .....64 inches (1,63 m)  
**Width** ..... 12 inches (0,30 m)      **Height** ..... 18 inches (0,46 m)

**ENVIRONMENTAL**

Operating Temperature Range - 32 to 100 °F (0 to 38 °C)  
 Storage Conditions - 0 to 150 °F (-18 to 65 °C) Non-condensing Moisture

**PRESSING CAPACITY**

150 Short Tons (136 tonnes)

**HYDRAULIC CYLINDER STROKE**

Stroke – 16 inches (406 mm)      Bore – 6.12 inches (155 mm)

**THROAT DIMENSIONS**

Width – 27 inches (686 mm)      Depth – 10 inches (254 mm)

**TRACK MODELS**

Caterpillar D10 & Smaller, Komatsu D275, PC800 & Smaller, & All Comparable Models

**HYDRAULIC POWER SUPPLIES**

**Maximum Pressure (all units)**..... 10,000 p.s.i.      (690 bar)

	<b>Hand Power</b>	<b>Compressed Air</b>	<b>115V 60 Hz Electric</b>	<b>220V 50 Hz Electric*</b>
MPP150 Model	MPP150-H	MPP150-A	MPP150-E	MPP150-220CE
Reservoir Capacity	2¼ gal (8,5 l)	5 gal (18,9 l)	5 gal (18,9 l)	5 gal (18,9 l)
Flow @ 150 psi (10,3 bar)	145 in <sup>3</sup> /min (2,4 lpm)**	480 in <sup>3</sup> /min (7,8 lpm)	460 in <sup>3</sup> /min (7,5 lpm)	375 in <sup>3</sup> /min (6,1 lpm)
Flow @ 10000 psi (690 bar)	5 in <sup>3</sup> /min (0,08 lpm)**	45 in <sup>3</sup> /min (0,7 lpm)	40 in <sup>3</sup> /min (0,6 lpm)	33 in <sup>3</sup> /min (0,5 lpm)
Power	-	4 Hp (3,0 kW)	1 Hp (0,8 kW)	1 Hp (0,8 kW)
Power Supply	-	62 SCFM @ 100 psi 1,8 m <sup>3</sup> /min @ 6,9 bar	17 A @ 115 V 60Hz	9 A @ 220 V 50 Hz
Width	25.0" (635 mm)	12.8" (325 mm)	27.3" (695 mm)	12.8" (325 mm)
Length	11.2" (284 mm)	16.5" (419 mm)	12.3" (312 mm)	16.5" (419 mm)
Height	14.1" (358 mm)	12.3" (312 mm)	18.0" (460 mm)	18.4" (467 mm)
Dry Weight	71 lb (32 kg)	80 lb (36 kg)	96 lb (44 kg)	96 lb (44 kg)

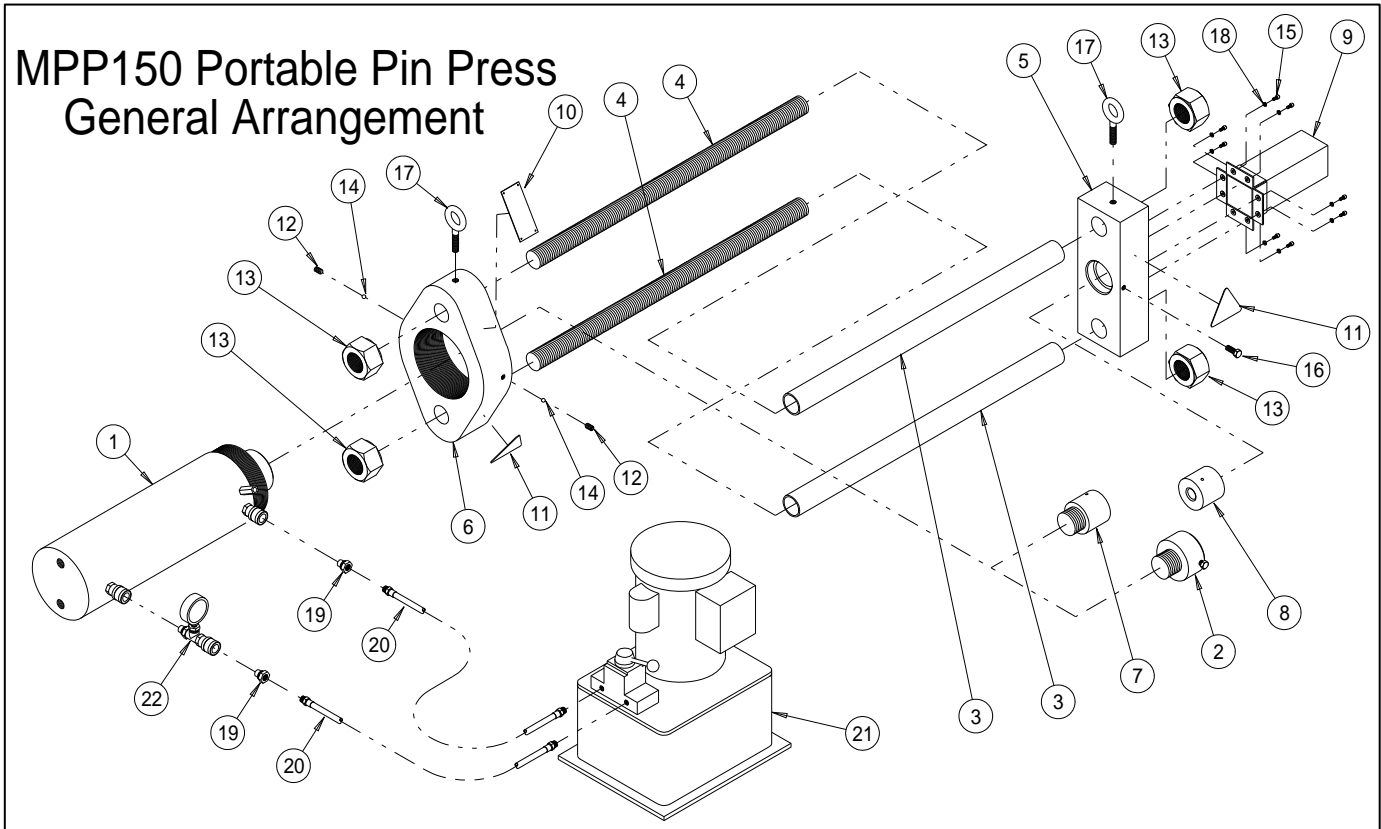
\* - Also available: 9.0 Amps, 230V 60Hz, 1 Phase (MPP150-220DOM)  
 9.0 Amps, 220V 50Hz, 1 Phase Non-CE Mark (MPP150-220-50)

\*\* - Flow based on 20 strokes per minute

**SPECIFICATIONS SUBJECT TO CHANGE WITHOUT NOTICE**



## MPP150 Portable Pin Press General Arrangement



MPP150 Parts – see page 4 for Parts Listing

### MPP150 Models –

- MPP150\*\*\* MPP150 with Cylinder, less Hydraulic Parts (Pump, Hoses and Fittings)  
– Includes items 1 to 18 - Customer supplied Pump Base and Hydraulic Hoses
- MPP150-H\*\*\* MPP150 with Hand Powered Pump  
– Includes items 1 to 20, and 34-2012 Hand Pump (item 21)
- MPP150-E MPP150 with 115 V Electric Powered Pump  
– Includes items 1 to 20, and 34-2215 Electric Pump 115V 60 Hz (item 21)
- MPP150-220DOM MPP150 with 220V 60Hz Electric Powered Pump (Inside North America)  
– Includes items 1 to 20, and 34-2002-220-60 Electric Pump 230V 60 Hz (item 21)
- MPP150-220 MPP150 with 220V 50Hz Powered Electric Pump (Outside North America)  
– Includes items 1 to 20, and 34-2163 Electric Pump 220V 50 Hz (item 21)
- MPP150-220CE\*\*\* MPP150 with CE-Certified 220V 50Hz Powered Electric Pump (European Union)  
– Includes items 1 to 20, and 34-2074 Electric Pump 220V 50 Hz CE-Marked (item 21)
- MPP150-A MPP150 with Compressed Air Powered Pump  
– Includes items 1 to 20, and 34-2173MPP Air-Powered Pump (item 21)

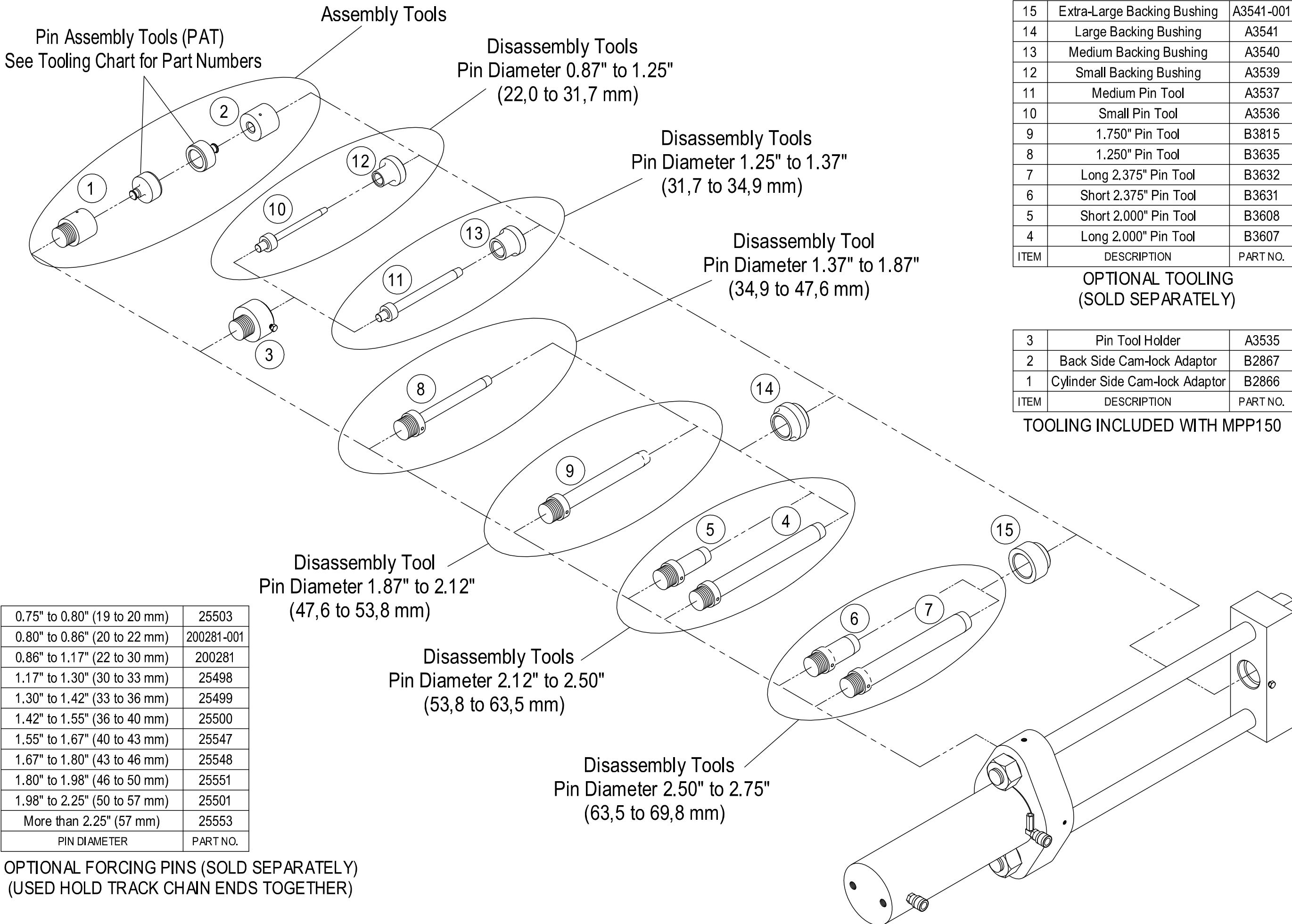
\*\*\* Certified 



MPP150 Part Listing – Item Numbers Refer to Parts Identification Drawing (page 3)

Item	Part Number	Description	Model						
			No Pump MPP150	Hand Pump MPP150-H	Electric Pump - 120 V 60 Hz MPP150-E	Electric Pump - 220 V 50 Hz MPP150-220 MPP150-220-CE		Electric Pump - 220 V 60 Hz MPP150-220DOM	Air Pump MPP150-A
1	A3510	Hydraulic Cylinder	1	1	1	1	1	1	1
2	A3535	Pin Tool Holder	1	1	1	1	1	1	1
3	A3542-005	Connecting Rod Spacer	2	2	2	2	2	2	2
4	A3543-005	Connecting Rod	2	2	2	2	2	2	2
5	A3544	Backer Bar	1	1	1	1	1	1	1
6	A3545	Cylinder Mount	1	1	1	1	1	1	1
7	B2866	Cylinder-Side Cam Lock Adapter	1	1	1	1	1	1	1
8	B2867	Backing-Side Cam Lock Adapter	1	1	1	1	1	1	1
9	109-423	Serial Number Plate – Non-CE	-	-	1	1	-	1	-
	109-440	Serial Number Plate – CE Mark	1	1	-	-	1	-	1
10	109-441	Pinch Point Warning Label	2	2	2	2	2	2	2
11	221-003	Pin Catch Bag	1	1	1	1	1	1	1
12	36-0228	1/2"-13 X 1/2" Set Screw	2	2	2	2	2	2	2
13	36-0510	2"-12 Tie Rod Nut	4	4	4	4	4	4	4
14	419102	Nylon Pellet	2	2	2	2	2	2	2
15	529-007	1/4"-20 X 1/2" SHCS	8	8	8	8	8	8	8
16	529-285	1/2"-13 X 1-1/2" HHMS	1	1	1	1	1	1	1
17	529-684	5/8"-11 Eyebolt	2	2	2	2	2	2	2
18	529-1394	1/4" Lock Washer	8	8	8	8	8	8	8
19	34-2003	Hydraulic Coupling	-	2	2	2	2	2	2
20	34-2004	Hydraulic Hose	-	2	2	2	2	2	2
21	34-2002-220-60	Pump Base - 220 V 60 Hz	-	-	-	-	-	1	-
	34-2012	Pump Base - Hand Pump	-	1	-	-	-	-	-
	34-2074	Pump Base - 220 V 50 Hz CE	-	-	-	-	1	-	-
	34-2163	Pump Base - 220 V 50 Hz	-	-	-	1	-	-	-
	34-2173MPP	Pump Base - Air Powered	-	-	-	-	-	-	1
	34-2215	Pump Base - 120 V 60 Hz	-	-	1	-	-	-	-
22	A5791	Pressure Gauge	Optional – Sold Separately						





Pin Assembly Tools (PAT)  
See Tooling Chart for Part Numbers

Assembly Tools

Disassembly Tools  
Pin Diameter 0.87" to 1.25"  
(22,0 to 31,7 mm)

Disassembly Tools  
Pin Diameter 1.25" to 1.37"  
(31,7 to 34,9 mm)

Disassembly Tool  
Pin Diameter 1.37" to 1.87"  
(34,9 to 47,6 mm)

Disassembly Tool  
Pin Diameter 1.87" to 2.12"  
(47,6 to 53,8 mm)

Disassembly Tools  
Pin Diameter 2.12" to 2.50"  
(53,8 to 63,5 mm)

Disassembly Tools  
Pin Diameter 2.50" to 2.75"  
(63,5 to 69,8 mm)

15	Extra-Large Backing Bushing	A3541-001
14	Large Backing Bushing	A3541
13	Medium Backing Bushing	A3540
12	Small Backing Bushing	A3539
11	Medium Pin Tool	A3537
10	Small Pin Tool	A3536
9	1.750" Pin Tool	B3815
8	1.250" Pin Tool	B3635
7	Long 2.375" Pin Tool	B3632
6	Short 2.375" Pin Tool	B3631
5	Short 2.000" Pin Tool	B3608
4	Long 2.000" Pin Tool	B3607
ITEM	DESCRIPTION	PART NO.

OPTIONAL TOOLING  
(SOLD SEPARATELY)

3	Pin Tool Holder	A3535
2	Back Side Cam-lock Adaptor	B2867
1	Cylinder Side Cam-lock Adaptor	B2866
ITEM	DESCRIPTION	PART NO.

TOOLING INCLUDED WITH MPP150

0.75" to 0.80" (19 to 20 mm)	25503
0.80" to 0.86" (20 to 22 mm)	200281-001
0.86" to 1.17" (22 to 30 mm)	200281
1.17" to 1.30" (30 to 33 mm)	25498
1.30" to 1.42" (33 to 36 mm)	25499
1.42" to 1.55" (36 to 40 mm)	25500
1.55" to 1.67" (40 to 43 mm)	25547
1.67" to 1.80" (43 to 46 mm)	25548
1.80" to 1.98" (46 to 50 mm)	25551
1.98" to 2.25" (50 to 57 mm)	25501
More than 2.25" (57 mm)	25553
PIN DIAMETER	PART NO.

OPTIONAL FORCING PINS (SOLD SEPARATELY)  
(USED HOLD TRACK CHAIN ENDS TOGETHER)

# MPP150 Pin Press Tooling

Rev D - 17.01.20 - Correct B3631 + B3632  
Rev C - 14.02.13 Add Forcing Pins  
Rev B - 13.10.14 - Add B3815 (Item 10)