



**WTC MACHINERY** Engineered to perform. Built to last.

WTC Machinery is a global leader in designing and building machinery and tooling for heavy equipment repair facilities.

## FP100 Field Press

### Make field repairs more efficiently than ever.

The FP100 Field Press is designed to make field operations easier. Ideally suited to service bulldozers and excavators up to a Caterpillar D9, Komatsu D155 or equivalent sized equipment.

The FP100 features an open frame for easy setup, and an adjustable tool holder for rapid pressing, allowing operators to perform service calls quickly and efficiently. The press unit can be purchased alone, or it can be paired with one of several durable pumps in order to match a shop's or a service truck's power.



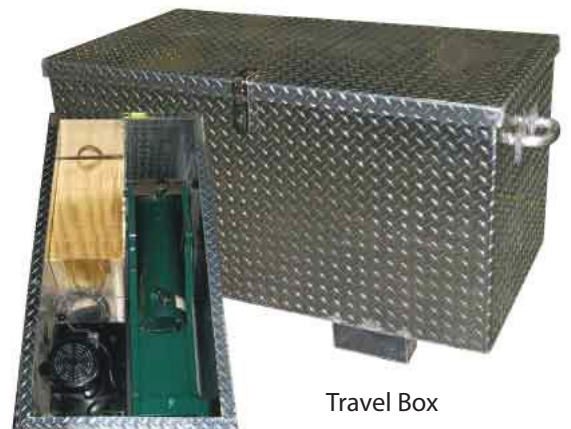
FP100E Shown

### Choose a pump to match the power.

FP100	The cylinder unit, minus the pump, hoses and fittings. CE-certified.
FP100H	The FP100 with a hand pump. CE-certified.
FP100E	The FP100 with a 115V electric powered pump.
FP100-220	The FP100 with a 220V 60Hz electric powered pump (in North America).
FP100-220-50	The FP100 with a 220V 50Hz electric powered pump (outside North America).
FP100-220-CE	The FP100 with a CE-certified 220V 50Hz electric powered pump (in the European Union).
FP100A	The FP100 with a compressed air powered pump.
FP100G	The FP100 with a gasoline (petrol) powered pump.

### Specifications:

Weight :	510 lbs (232 kg) *less Power Supply
Width:	10 inches (0,25 m)
Height:	18 inches (0,48 m)
Length:	59 inches (1,50 m) Back Position 51 inches (1,29 m) Front Position 41 inches (1,04 m) Stowed0
Pressing Capacity:	100 Short Tons (90,9 tonnes)
Cylinder Stroke:	16 inches (405 mm)
Throat Dimensions:	16" (405 mm) Width, 4" (101 mm) Depth
Maximum Pressure:	10,000 p.s.i. (690 bar) *all Power Supplies



Travel Box



## SECTION 2 – FP100 Field Press Specifications

### DIMENSIONS

**Weight** (less Hydraulic Power Supply) 510 lbs (232 kg)  
**Width** ..... 10 inches (0,25 m) **Height** ..... 18 inches (0,48 m)  
**Length**..... Back Position - 59 inches (1,50 m) Front Position - 51 inches (1,29 m)  
 Stowed - 41 inches (1,04 m)

### ENVIRONMENTAL

Operating Temperature Range - 32 to 100 °F (0 to 38 °C)  
 Storage Conditions - 0 to 150 °F (-18 to 65 °C) Non-condensing Moisture

### PRESSING CAPACITY

100 Short Tons (90,9 tonnes)

### HYDRAULIC CYLINDER STROKE

Stroke – 16 inches (405 mm) Bore – 5 inches (127 mm)

### THROAT DIMENSIONS

Width – 16 inches (405 mm) Depth – 4 inches (101 mm)

### TRACK MODELS

Caterpillar D9 & Below, Komatsu PC600, D155 & Below, & All Comparable Tracks

### HYDRAULIC POWER SUPPLIES

Maximum Pressure (all units)..... 10,000 p.s.i. (690 bar)

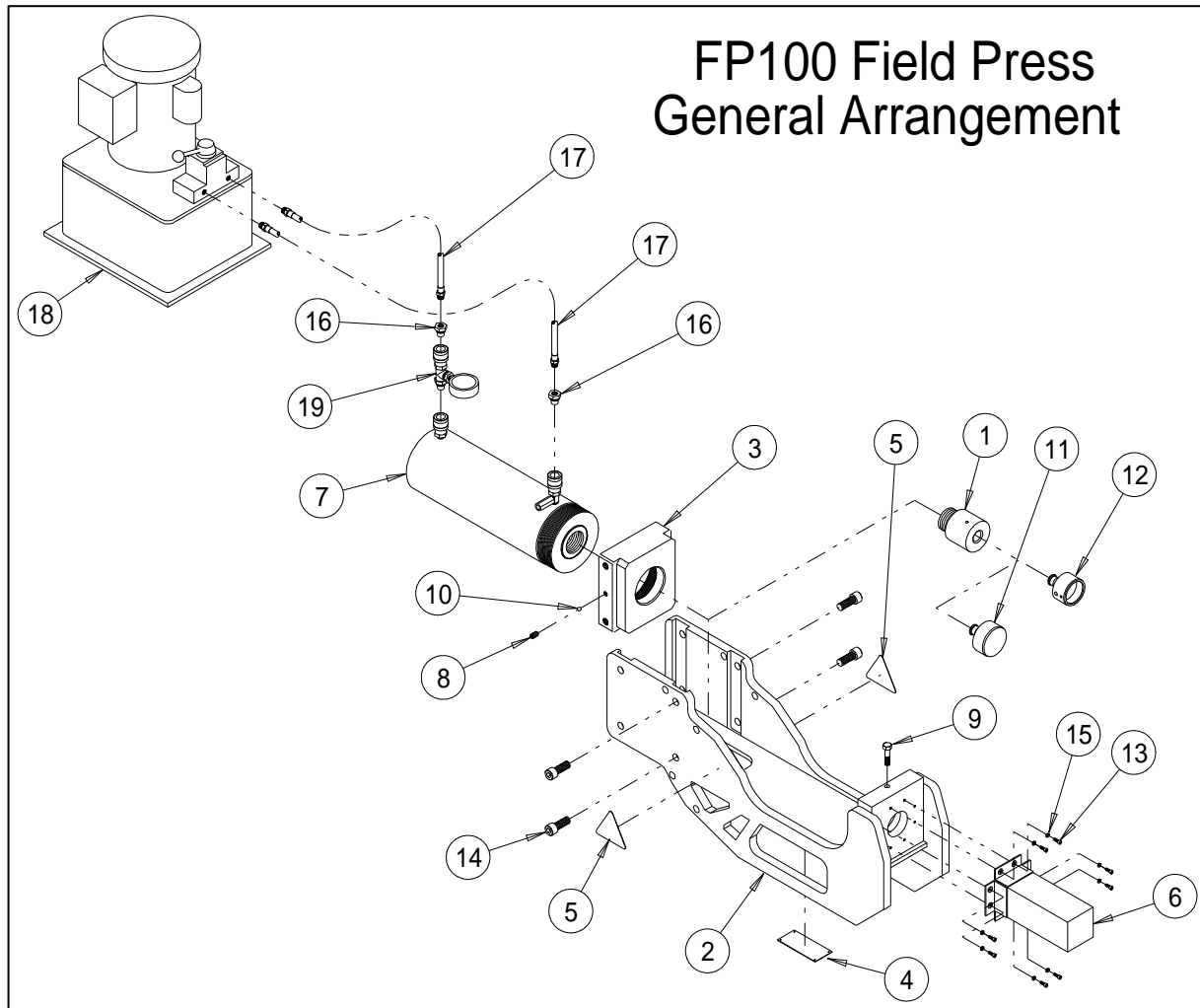
	Compressed Air	115V 60 Hz Electric	220V 50 Hz Electric*	Hand Pump
FP100 Model	FP100A	FP100E	FP100-220-CE	FP100H - CE
Reservoir Capacity	2 gal (7,6 l)	2 gal (7,6 l)	2 gal (7,6 l)	2¼ gal (8,5 l)
Flow @ 150 psi (10,3 bar)	480 in <sup>3</sup> /min (7,8 lpm)	560 in <sup>3</sup> /min (9,1 lpm)	240 in <sup>3</sup> /min (3,9 lpm)	145 in <sup>3</sup> /min (2,4 lpm)**
Flow @ 10000 psi (690 bar)	45 in <sup>3</sup> /min (0,7 lpm)	40 in <sup>3</sup> /min (0,6 lpm)	12 in <sup>3</sup> /min (0,2 lpm)	5 in <sup>3</sup> /min (0,08 lpm)**
Power	4 Hp (3,0 kW)	1½ Hp (1,1 kW)	1/2 Hp (0,4 kW)	-
Power Supply	62 SCFM @ 100 psi 1,8 m <sup>3</sup> /min @ 6,9 bar	17 A @ 115 V 60Hz	5 A @ 220 V 50 Hz	-
Width	12.8" (325 mm)	12.8" (325 mm)	11.4" (290 mm)	25.0" (635 mm)
Length	16.5" (419 mm)	16.5" (419 mm)	9.3" (235 mm)	11.2" (284 mm)
Height	12.3" (312 mm)	16.0" (406 mm)	18.1" (460 mm)	14.1" (358 mm)
Dry Weight	80 lb (36 kg)	96 lb (44 kg)	45 lb (21 kg)	71 lb (32 kg)

\* - Also available: 9.0 Amps, 230V 60Hz, 1 Phase (FP100-220)  
 9.0 Amps, 220V 50Hz, 1 Phase Non-CE Mark (FP100-220-50)

\*\* - Flow based on 20 strokes per minute

### SPECIFICATIONS SUBJECT TO CHANGE WITHOUT NOTICE

Rev. B – 13.11.22 – Revise for CE Mark



FP100 Models –

- FP100\*\*\*            FP100 with Cylinder, less Hydraulic Parts (Pump, Hoses and Fittings)  
– Includes items 1 to 15 – Customer-supplied Pump Base and Hydraulic Hoses
- FP100H\*\*\*        FP100 with Hand Pump  
– Includes items 1 to 17 and 34-2012 Hand Pump (item 18)
- FP100E            FP100 with 115 V Electric Powered Pump  
– Includes items 1 to 17 and 34-2214 Electric Pump 115V 60 Hz (item 18)
- FP100-220        FP100 with 220V 60Hz Electric Powered Pump (Inside North America)  
– Includes items 1 to 17 and 34-2008-220-60 Electric Pump 230V 60 Hz (item 18)
- FP100-220-50    FP100 with 220V 50Hz Powered Electric Pump (Outside North America)  
– Includes items 1 to 17 and 34-2085 Electric Pump 220V 50 Hz (item 18)
- FP100-220-CE\*\*\* FP100 with CE-Certified 220V 50Hz Powered Electric Pump (European Union)  
– Includes items 1 to 17 and 34-2678 Electric Pump 220V 50 Hz CE-Marked (item 18)
- FP100A\*            FP100 with Compressed Air Powered Pump  
– Includes items 1 to 17 and 34-2174-MPP Air-Powered Pump (item 18)

\*\*\* **Certified**

FP100 Part Listing – Item Numbers Refer to Parts Identification Drawing (page 3)

Item No.	Part Number	Description	No Pump		Hand Pump		Electric Pump - 120V 60 Hz		Electric Pump - 220V 50 Hz		Electric Pump - 220V 60 Hz		Compressed Air Powered	
			FP100	FP100H	FP100E	FP100-220-50	FP100-220-CE	FP100-220	FP100A					
1	B2866	Cylinder-Side Adapter	1	1	1	1	1	1	1	1	1	1	1	1
2	B3776	Frame Weldment	1	1	1	1	1	1	1	1	1	1	1	1
3	B3811	Cylinder Adapter	1	1	1	1	1	1	1	1	1	1	1	1
4	109-423	Serial Number Plate - Non-CE	-	-	1	1	-	1	-	1	-	-	-	-
	109-440	Serial Number Plate – CE Mark	1	1	-	-	1	-	1	-	1	-	1	-
5	109-441	Pinch Point Warning Label	2	2	2	2	2	2	2	2	2	2	2	2
6	221-003	Pin Catch Bag	1	1	1	1	1	1	1	1	1	1	1	1
7	34-2444	Hydraulic Cylinder	1	1	1	1	1	1	1	1	1	1	1	1
8	36-0228	1/2"-13 X 1/2" Set Screw	1	1	1	1	1	1	1	1	1	1	1	1
9	36-0302	1/2"-13 X 2" HHMS	1	1	1	1	1	1	1	1	1	1	1	1
10	419102	Nylon Pellet	1	1	1	1	1	1	1	1	1	1	1	1
11	50-008-001	Pin Assembly Tool	1	1	1	1	1	1	1	1	1	1	1	1
12	50-008-002	Pin Adapter Holder	1	1	1	1	1	1	1	1	1	1	1	1
13	529-046	1/4"-20 X 3/4" SHCS	8	8	8	8	8	8	8	8	8	8	8	8
14	529-916	3/4"-10 X 1-1/2" SHCS	4	4	4	4	4	4	4	4	4	4	4	4
15	529-1394	1/4" Lock Washer	8	8	8	8	8	8	8	8	8	8	8	8
16	34-2003	Hydraulic Coupling	-	2	2	2	2	2	2	2	2	2	2	2
17	34-2004-12	Hydraulic Hose	-	2	2	2	2	2	2	2	2	2	2	2
18	34-2008-220-60	Pump Base - 220 V 60 Hz	-	-	-	-	-	-	-	1	-	-	-	-
	34-2012	Pump Base - Hand Pump	-	1	-	-	-	-	-	-	-	-	-	-
	34-2085	Pump Base - 220 V 50 Hz	-	-	-	1	-	-	-	-	-	-	-	-
	34-2174MPP	Pump Base - Air Powered	-	-	-	-	-	-	-	-	-	-	1	-
	34-2214	Pump Base - 120 V 60 Hz	-	-	1	-	-	-	-	-	-	-	-	-
	34-2678	Pump Base - 220 V 50 Hz CE	-	-	-	-	1	-	-	-	-	-	-	-
19	A5791	Pressure Gauge	Optional – Sold Separately											

FP100LPG	Large Pin Group	Items 1-3, 17-19, 22	1.84" to 2.56" (46.0 to 65.1 mm)
FP100MPG	Medium Pin Group	Items 3-8, 28, 13-16, 21	1.31" to 1.81" (33.3 to 46.0 mm)
FP100SPG	Small Pin Group	Items 6-9, 10-12, 20	0.63" to 1.31" (16.0 to 33.3 mm)
PART NO.	DESCRIPTION	ITEMS	PIN SIZE RANGE

**BASIC PIN GROUPS**

1	50-007-001	1.97"	50.0 mm	2.22"	56.3 mm
2	50-007-002	1.72"	43.6 mm	1.97"	50.0 mm
3	50-007-003	1.60"	40.7 mm	1.72"	43.6 mm
28	50-007-010	1.47"	37.3 mm	1.60"	40.7 mm
4	50-007-004	1.34"	34.1 mm	1.47"	37.3 mm
5	50-007-005	1.22"	30.9 mm	1.34"	34.1 mm
6	50-007-006	1.09"	27.7 mm	1.22"	30.9 mm
7	50-007-007	0.94"	23.8 mm	1.09"	27.7 mm
8	50-007-008	0.84"	21.4 mm	0.94"	23.8 mm
9	50-007-009	0.63"	15.9 mm	0.84"	21.4 mm
ITEM	PART NO.	INCH	MM	INCH	MM
		MIN. PIN DIA.		MAX. PIN DIA.	

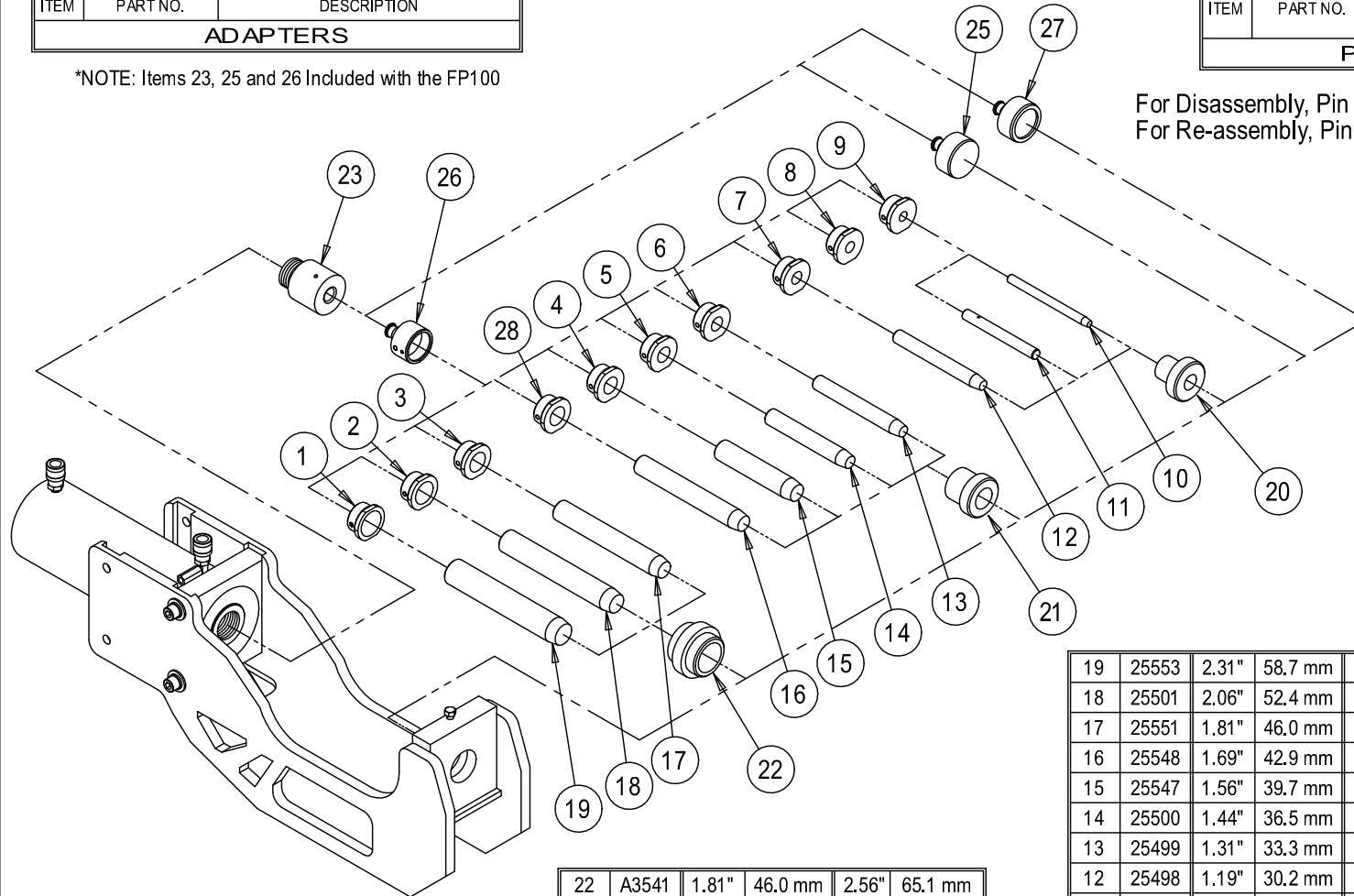
**PIN ADAPTERS**

27	See Tool Chart	Pin Assembly Tool
26*	50-008-002	Pin Adapter Holder
25*	50-008-001	Assembly Tool
23*	B2866	Cylinder Cam-Lock Adapter
ITEM	PART NO.	DESCRIPTION

**ADAPTERS**

\*NOTE: Items 23, 25 and 26 Included with the FP100

For Disassembly, Pin Adapters hold the Forcing Pins  
For Re-assembly, Pin Adapters hold the Track Pin



Cylinder moves to Back Position  
When working Large Track

22	A3541	1.81"	46.0 mm	2.56"	65.1 mm
21	A3540	1.31"	33.3 mm	1.81"	46.0 mm
20	A3539	0.63"	16.0 mm	1.31"	33.3 mm
ITEM	PART NO.	INCH	MM	INCH	MM
		MIN. PIN DIA.		MAX. PIN DIA.	

**BACKING BUSHINGS**

Backing Bushings Support the  
Track Link for Disassembly and Assembly

19	25553	2.31"	58.7 mm	2.38"	60.3 mm	1	50-007-001
18	25501	2.06"	52.4 mm	2.31"	58.7 mm	2	50-007-002
17	25551	1.81"	46.0 mm	2.06"	52.4 mm	3	50-007-003
16	25548	1.69"	42.9 mm	1.81"	46.0 mm	28	50-007-010
15	25547	1.56"	39.7 mm	1.69"	42.9 mm	4	50-007-004
14	25500	1.44"	36.5 mm	1.56"	39.7 mm	5	50-007-005
13	25499	1.31"	33.3 mm	1.44"	36.5 mm	6	50-007-006
12	25498	1.19"	30.2 mm	1.31"	33.3 mm	7	50-007-007
11	200281	0.94"	23.8 mm	1.19"	30.2 mm	8	50-007-008
10	25503	0.76"	19.4 mm	0.94"	23.8 mm	9	50-007-009
ITEM	PART NO.	INCH	MM	INCH	MM	ITEM	PART NO.
		MIN. PIN DIA.		MAX. PIN DIA.			

**FORCING PINS**

For Disassembly, Forcing Pins push the Track Pin  
For Assembly, Forcing Pins hold the Links Aligned

# FP100 Tooling