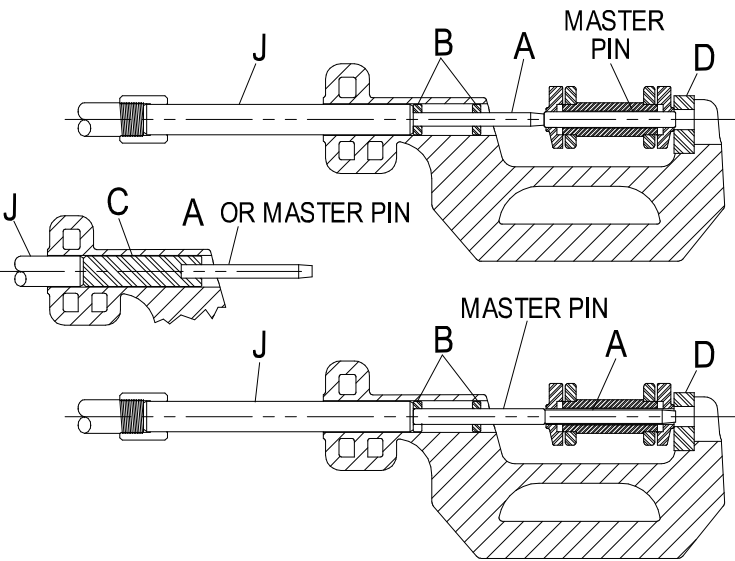
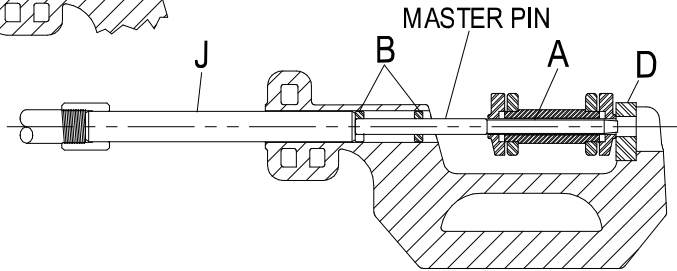


MASTER PIN REMOVAL



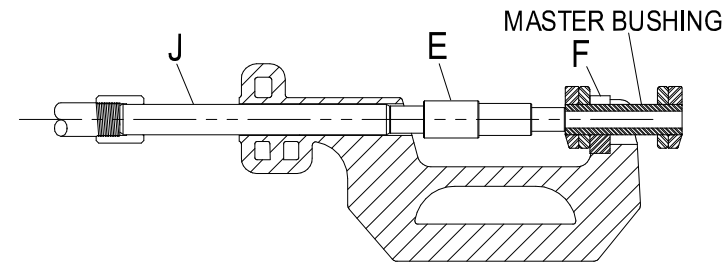
MASTER PIN INSTALLATION



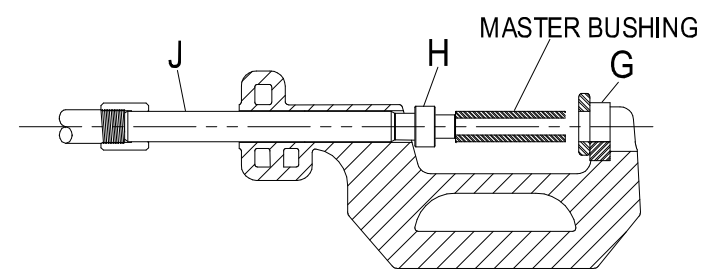
WARNING: To help prevent personal injury, do not use this tooling beyond its maximum working force of 100 tons (90.9 tonnes)

IMPORTANT: To help prevent equipment damage, remove aligning bushings ("B") if used, BEFORE the final push is made.

MASTER BUSHING REMOVAL



MASTER BUSHING INSTALLATION



3/23/2016				MASTER PIN RMOVAL AND INSTALLATION									BUSHING REMOVAL		BUSHING INSTALL			
MAKE	MODEL	COMMENTS	PITCH	PIN LENGTH	PIN DIA	FORCING PIN (A)	ALIGNING BUSHING (2)(B)		PILOT PIN ©	ALIGNING ADAPTOR (D)	BUSHING ID	BUSHING OD	BUSHING PUSHER (E)	BUSHING ADAPTER (F)	REAR BUSH ASSY PLATE (G)	BUSHING INSTALLER (H)	REAR FORCING PIN (J)	SPECIAL TOOLING
							REMOVAL	INSTALL										
CASE	200		5.875	5.220	0.992	200281	Not Req'd	Not Req'd	25505	32435	1.005	1.500	35199	32437	N/A	35204	33934	None
CASE	300		5.875	5.220	0.992	200281	Not Req'd	Not Req'd	25505	32435	1.005	1.500	35199	32437	N/A	35204	33934	None
CASE	310		5.875	5.220	0.992	200281	Not Req'd	Not Req'd	25505	32435	1.005	1.500	35199	32437	N/A	35204	33934	None
CASE	320		5.875	5.220	0.992	200281	Not Req'd	Not Req'd	25505	32435	1.005	1.500	35199	32437	N/A	35204	33934	None
CASE	350		5.875	5.22	0.993	200281	Not Req'd	Not Req'd	25505	32435	N/A	1.5	35199	32437	35202	35204	33934	None
CASE	350		5.875	5.220	0.992	200281	Not Req'd	Not Req'd	25505	32435	1.005	1.500	35199	32437	N/A	35204	33934	None
CASE	400		5.875	5.220	0.992	200281	Not Req'd	Not Req'd	25505	32435	1.005	1.500	35199	32437	N/A	35204	33934	None
CASE	420		5.875	5.220	0.992	200281	Not Req'd	Not Req'd	25505	32435	1.005	1.500	35199	32437	N/A	35204	33934	None
CASE	450		5.75	5.38	1.187	25498	Not Req'd	Not Req'd	25504	32435	N/A	1.75	35199	33471	35202	EITHER	33934	None
CASE	450		5.875	5.375	1.058	200281	Not Req'd	Not Req'd	25505	32435	1.078	1.625	35199	33471	N/A	35204	33934	None
CASE	500		5.875	5.220	0.992	200281	Not Req'd	Not Req'd	25505	32435	1.005	1.500	35199	32437	N/A	35204	33934	None
CASE	520		5.875	5.220	0.992	200281	Not Req'd	Not Req'd	25505	32435	1.005	1.500	35199	32437	N/A	35204	33934	None
CASE	550		6.29	6.575	1.129	200281	Not Req'd	Not Req'd	25504	32435	N/A	1.966	35199	35205	35202	EITHER	33934	None
CASE	600		5.875	5.375	1.063	200281	Not Req'd	Not Req'd	25505	32435	N/A	1.625	35199	33471	35202	35204	33934	None
CASE	600		5.875	5.375	1.058	200281	Not Req'd	Not Req'd	25505	32435	1.078	1.625	35199	33471	N/A	35204	33934	None
CASE	650		6.735	7.224	1.318	25499	Not Req'd	Not Req'd	25502	22471	N/A	2.119	35199	35205	25562	25546	33936	None
CASE	650		6.735	7.224	1.318	25499	Not Req'd	Not Req'd	25502	22471	N/A	2.119	35199	35205	25562	25546	33936	None
CASE	750		6.25	6.94	1.374	25499	Not Req'd	Not Req'd	25502	33472	N/A	1.995	35199	35205	35202	25546	33934	None
CASE	750	LDR	6.250	6.940	1.370	25499	Not Req'd	Not Req'd	25502	32437	1.390	1.997	35199	35205	N/A	25546	33934	None
CASE	800		6.25	6.5	1.248	25498	Not Req'd	Not Req'd	25504	32435	N/A	1.871	35199	33471	35202	EITHER	33934	None
CASE	850		6.25	6.94	1.374	25499	Not Req'd	Not Req'd	25502	33472	N/A	2	35199	35205	25562	25546	33934	None
CASE	850		6.250	6.940	1.370	25499	Not Req'd	Not Req'd	25502	32437	1.390	1.997	35199	35205	N/A	25546	33934	None
CASE	1000		6.25	6.5	1.248	25498	Not Req'd	Not Req'd	25504	32435	N/A	1.871	35199	33471	35202	EITHER	33934	None
CASE	1150	Recessed	6.25	6.94	1.374	25499	Not Req'd	Not Req'd	25502	33472	N/A	1.995	35199	35205	35202	25546	33934	None
CASE	1150	Sealed	6.25	6.94	1.374	25499	Not Req'd	Not Req'd	25502	33472	N/A	2	35199	35205	25562	25546	33934	None
CASE	1150		6.250	6.940	1.370	25499	Not Req'd	Not Req'd	25502	32437	1.390	1.997	35199	35205	N/A	25546	33934	None
CASE	1450	Sealed	8.02	9.06	1.753	25548	22777	22751	Not Req'd	32441	N/A	2.62	35199	22769	25562	25546	33934	None
CASE	1450		8.020	9.250	1.752	25548	22777	22751	Not Req'd	33471	1.776	2.619	32434	22769	25563	25546	33934	None
CASE	1550		8.02	9.06	1.753	25548	22777	22751	Not Req'd	32441	N/A	2.62	35199	22769	25562	25546	33934	None
CASE	1000D		6.250	6.940	1.370	25499	Not Req'd	Not Req'd	25502	32437	1.390	1.997	35199	35205	N/A	25546	33934	None
CASE	1000HD		6.25	6.94	1.374	25499	Not Req'd	Not Req'd	25502	33472	N/A	1.995	35199	35205	35202	25546	33934	None
CASE	1000HD		6.250	6.940	1.370	25499	Not Req'd	Not Req'd	25502	32437	1.390	1.997	35199	35205	N/A	25546	33934	None
CASE	1150 B		6.680	8.100	1.495	25500	22779	22779	Not Req'd	32437	1.515	2.188	35199	35205	N/A	25546	33936	None
CASE	1150B		6.678	8.1	1.5	25500	Not Req'd	22777	Not Req'd	32437	N/A	2.185	35199	35205	25562	25546	33936	None
CASE	1150D		6.678	8.11	1.44	25500	Not Req'd	22779	Not Req'd	33472	N/A	2.314	35199	35205	25562	25546	33936	None
CASE	1150E		6.678	8.11	1.44	25500	Not Req'd	22779	Not Req'd	33472	N/A	2.314	35199	35205	25562	25546	33936	None
CASE	1155D		6.678	8.11	1.44	25500	Not Req'd	22779	Not Req'd	33472	N/A	2.314	35199	35205	25562	25546	33936	None

3/23/2016				MASTER PIN RMOVAL AND INSTALLATION									BUSHING REMOVAL		BUSHING INSTALL			
MAKE	MODEL	COMMENTS	PITCH	PIN LENGTH	PIN DIA	FORCING PIN (A)	ALIGNING BUSHING (2)(B)		PILOT PIN ©	ALIGNING ADAPTOR (D)	BUSHING ID	BUSHING OD	BUSHING PUSHER (E)	BUSHING ADAPTER (F)	REAR BUSH ASSY PLATE (G)	BUSHING INSTALLER (H)	REAR FORCING PIN (J)	SPECIAL TOOLING
							REMOVAL	INSTALL										
CASE	1155E		6.678	8.11	1.44	25500	Not Req'd	22779	Not Req'd	33472	N/A	2.314	35199	35205	25562	25546	33936	None
CASE	1450B	Sealed	8.02	9.06	1.753	25548	22777	22751	Not Req'd	32441	N/A	2.62	35199	22769	25562	25546	33934	None
CASE	1450B	SALT	8.02	9.06	1.753	25548	22777	22751	Not Req'd	32441	N/A	2.62	35199	22769	25562	25546	33934	None
CASE	1455B	SALT	8.02	9.06	1.753	25548	22777	22751	Not Req'd	32441	N/A	2.62	35199	22769	25562	25546	33934	None
CASE	1455B	Sealed	8.02	9.06	1.753	25548	22777	22751	Not Req'd	32441	N/A	2.62	35199	22769	25562	25546	33934	None
CASE	310G		5.875	5.22	0.993	200281	Not Req'd	Not Req'd	25505	32435	N/A	3.18	32434	22771	25561	25546	33934	None
CASE	350B		5.875	5.219	0.994	200281	Not Req'd	Not Req'd	25505	32435	N/A	3.359	32434	31658	25561	25546	33934	None
CASE	450A		6	6.54	1.25	25498	Not Req'd	Not Req'd	25502	32435	N/A	4.31	35199	Not Req'd	25561	25546	33934	None
CASE	450B		6	6.54	1.25	25498	Not Req'd	Not Req'd	25502	32435	N/A	4.31	35199	Not Req'd	25561	25546	33934	None
CASE	450C	SALT	6	6.46	1.129	200281	Not Req'd	Not Req'd	25504	32435	N/A	1.85	35199	33471	35202	EITHER	33934	None
CASE	450C	Sealed	6	6.457	1.129	200281	Not Req'd	Not Req'd	25504	32435	N/A	1.85	35199	33471	35202	EITHER	33934	None
CASE	450HD		5.875	5.375	1.184	25498	Not Req'd	Not Req'd	25504	32435	1.195	1.750	35199	33471	N/A	EITHER	33934	None
CASE	455C		6	6.46	1.129	200281	Not Req'd	Not Req'd	25504	32435	N/A	1.85	35199	33471	35202	EITHER	33934	None
CASE	550E		6.29	6.575	1.129	200281	Not Req'd	Not Req'd	25504	32435	N/A	1.996	35199	35205	35202	25546	33934	None
CASE	550G		6.29	6.575	1.129	200281	Not Req'd	Not Req'd	25504	32435	N/A	1.996	35199	35205	35202	25546	33934	None
CASE	850D		6.25	7.22	1.318	25499	Not Req'd	Not Req'd	25502	22471	N/A	1.995	35199	35205	35202	25546	33936	None
CASE	850D		6.735	7.224	1.318	25499	Not Req'd	Not Req'd	25502	22471	N/A	1.995	35199	35205	35202	25546	33936	None
CASE	850E		6.25	7.22	1.318	25499	Not Req'd	Not Req'd	25502	22471	N/A	2.119	35199	35205	25562	25546	33936	None
CASE	850E		6.735	7.224	1.318	25499	Not Req'd	Not Req'd	25502	22471	N/A	2.119	35199	35205	25562	25546	33936	None
CASE	850G		6.735	7.224	1.318	25499	Not Req'd	Not Req'd	25502	22471	N/A	2.119	35199	35205	25562	25546	33936	None
CASE	850H		6.735	7.224	1.318	25499	Not Req'd	Not Req'd	25502	22471	N/A	2.119	35199	35205	25562	25546	33936	None
CASE	850K		6.735	7.224	1.318	25499	Not Req'd	Not Req'd	25502	22471	N/A	2.119	35199	35205	25562	25546	33936	None
CASE	855D		6.25	7.22	1.318	25499	Not Req'd	Not Req'd	25502	22471	N/A	2.119	35199	35205	25562	25546	33936	None
CASE	855D		6.735	7.224	1.318	25499	Not Req'd	Not Req'd	25502	22471	N/A	2.119	35199	35205	25562	25546	33936	None
CASE	M3		5.875	5.220	0.992	200281	Not Req'd	Not Req'd	25505	32435	1.005	1.500	35199	32437	N/A	35204	33934	None
CATERPILLAR	215	EXC (9/16" Bolt)	6.735	6.370	1.315	25499	Not Req'd	Not Req'd	25502	22471	N/A	2.120	35199	35205	25562	25546	33934	None
CATERPILLAR	215	EXC (5/8" Bolt)	6.735	7.22	1.315	25499	Not Req'd	Not Req'd	25502	22471	N/A	2.12	35199	35205	25562	25546	33936	None
CATERPILLAR	215		6.750	7.000	1.314	25499	Not Req'd	Not Req'd	25502	33472	1.330	1.993	35199	35205	N/A	25546	33936	None
CATERPILLAR	219		7.480	8.120	1.442	25500	Not Req'd	22779	Not Req'd	33472	N/A	2.312	35199	35205	25562	25546	33936	None
CATERPILLAR	225	EXC	6.735	7.22	1.315	25499	Not Req'd	Not Req'd	25502	22471	N/A	2.118	35199	35205	25562	25546	33936	None
CATERPILLAR	225		6.750	7.000	1.314	25499	Not Req'd	Not Req'd	25502	33472	1.330	1.993	35199	35205	N/A	25546	33936	None
CATERPILLAR	227		7.985	9.060	1.752	25548	22777	22751	Not Req'd	32441	N/A	2.621	35199	22769	25562	35204	33934	None
CATERPILLAR	229		7.985	9.060	1.752	25548	22777	22751	Not Req'd	32441	N/A	2.621	35199	22769	25562	35204	33934	None
CATERPILLAR	235	EXC	7.985	9.06	1.752	25548	22777	22751	Not Req'd	32441	N/A	2.621	35199	22769	25562	35204	33934	None
CATERPILLAR	235		8.500	9.813	1.877	25551	22751	22749	Not Req'd	33471	1.898	2.812	32434	22787	25563	25546	33934	None
CATERPILLAR	245		10.250	11.260	2.252	25501	Not Req'd	Not Req'd	Not Req'd	33474	N/A	3.371	32434	31658	25561	25546	33934	None
CATERPILLAR	311		6.750	7.010	1.321	25499	Not Req'd	Not Req'd	25502	22471	N/A	1.992	35199	35205	35202	25546	33936	None

3/23/2016				MASTER PIN RMOVAL AND INSTALLATION									BUSHING REMOVAL		BUSHING INSTALL			
MAKE	MODEL	COMMENTS	PITCH	PIN LENGTH	PIN DIA	FORCING PIN (A)	ALIGNING BUSHING (2)(B)		PILOT PIN ©	ALIGNING ADAPTOR (D)	BUSHING ID	BUSHING OD	BUSHING PUSHER (E)	BUSHING ADAPTER (F)	REAR BUSH ASSY PLATE (G)	BUSHING INSTALLER (H)	REAR FORCING PIN (J)	SPECIAL TOOLING
							REMOVAL	INSTALL										
CATERPILLAR	312	EXC	6.75	7.01	1.321	25499	Not Req'd	Not Req'd	25502	22471	N/A	1.992	35199	35205	35202	25546	33936	None
CATERPILLAR	315		7.480	8.150	1.442	25500	Not Req'd	22779	Not Req'd	33472	N/A	2.312	35199	35205	25562	25546	33936	None
CATERPILLAR	317		7.480	8.150	1.442	25500	Not Req'd	22779	Not Req'd	33472	N/A	2.312	35199	35205	25562	25546	33936	None
CATERPILLAR	318		7.480	8.150	1.442	25500	Not Req'd	22779	Not Req'd	33472	N/A	3.120	35199	22771	25561	25546	33936	None
CATERPILLAR	320	EXC	7.480	8.150	1.442	25500	Not Req'd	22779	Not Req'd	33472	N/A	2.312	35199	35205	25562	25546	33936	None
CATERPILLAR	320	EXC	7.48	8.15	1.442	25500	Not Req'd	22779	Not Req'd	33472	N/A	2.312	35199	35205	25562	25546	33936	None
CATERPILLAR	322		7.480	8.150	1.442	25500	Not Req'd	22779	Not Req'd	33472	N/A	2.312	35199	35205	25562	25546	33936	None
CATERPILLAR	325	EXC	8.000	9.055	1.654	25547	22779	22751	Not Req'd	32437	N/A	2.519	35199	22769	25562	25546	33934	None
CATERPILLAR	330	EXC	8.500	9.665	1.811	25551	22751	22749	Not Req'd	32441	N/A	2.677	35199	22769	25562	35204	33934	None
CATERPILLAR	345	EXC	9.000	11.438	2.003	25551	22751	Not Req'd	Not Req'd	32441	N/A	2.996	32434	22787	25563	35204	33934	None
CATERPILLAR	375	EXC	10.250	12.244	2.253	25501	Not Req'd	Not Req'd	Not Req'd	33474	N/A	3.710	32434	Not Req'd	25561	25546	33934	None
CATERPILLAR	375	EXC	10.25	12.244	2.253	25501	Not Req'd	Not Req'd	Not Req'd	33474	N/A	3.71	32434	Not Req'd	25561	25546	33934	None
CATERPILLAR	561	PIPELAYER	6.906	8.120	1.442	25500	Not Req'd	22779	Not Req'd	33472	N/A	2.312	35199	35205	25562	25546	33936	None
CATERPILLAR	561		8.000	9.000	1.750	25548	22777	22751	Not Req'd	33471	1.774	2.621	32434	22769	25562	25546	33934	None
CATERPILLAR	571		7.985	9.880	1.752	25548	22777	22751	Not Req'd	32441	N/A	2.621	35199	22769	25562	35204	33934	None
CATERPILLAR	572		8.500	9.813	1.877	25551	22751	22749	Not Req'd	33471	1.898	2.812	32434	22787	25563	25546	33934	None
CATERPILLAR	572		8.5	9.88	1.878	25551	22751	22749	Not Req'd	32441	N/A	2.621	32434	22769	25562	35204	33934	None
CATERPILLAR	578	PIPELAYER	8.500	9.880	1.878	25551	22751	22749	Not Req'd	32441	N/A	2.940	32434	22787	25563	35204	33934	None
CATERPILLAR	578	PPR	8.500	9.650	1.878	25551	22751	22749	Not Req'd	32441	N/A	2.937	32434	22787	25563	35204	33934	None
CATERPILLAR	583		7.985	11.44	1.752	25548	22777	22751	Not Req'd	32441	N/A	2.621	35199	22769	25562	35204	33934	None
CATERPILLAR	583		8.000	11.438	1.740	25548	22777	22751	Not Req'd	33471	1.788	2.618	32434	22787	25561	25546	33934	None
CATERPILLAR	583		9.000	11.313	1.998	25551	22749	Not Req'd	Not Req'd	32441	2.024	2.996	32434	22771	25561	25546	33934	None
CATERPILLAR	589		9.000	11.440	2.003	25551	22751	Not Req'd	Not Req'd	32441	N/A	3.220	32434	31658	25561	25546	33934	None
CATERPILLAR	589	PPR	9.000	10.770	2.003	25551	22751	Not Req'd	Not Req'd	32441	N/A	3.220	32434	31658	25561	25546	33934	None
CATERPILLAR	594		10.250	12.125	2.252	25501	Not Req'd	Not Req'd	Not Req'd	33474	2.274	3.375	32434	31658	25561	25546	33934	None
CATERPILLAR	931		6.125	5.989	1.129	200281	Not Req'd	Not Req'd	25504	32435	1.150	1.850	35199	33471	N/A	N/A	33934	None
CATERPILLAR	931	SALT	6.125	6.16	1.129	200281	Not Req'd	Not Req'd	25504	32435	N/A	1.85	35199	33471	35202	EITHER	33934	None
CATERPILLAR	931	Sealed	6.125	6.16	1.129	200281	Not Req'd	Not Req'd	25504	32435	N/A	1.85	35199	33471	35202	EITHER	33934	None
CATERPILLAR	933		6.125	5.989	1.129	200281	Not Req'd	Not Req'd	25504	32435	1.150	1.850	35199	33471	N/A	EITHER	33934	None
CATERPILLAR	933		6.750	7.000	1.314	25499	Not Req'd	Not Req'd	25502	33472	1.330	1.993	35199	35205	N/A	25546	33936	None
CATERPILLAR	935		6.125	5.989	1.129	200281	Not Req'd	Not Req'd	25504	32435	1.150	1.850	35199	33471	N/A	EITHER	33934	None
CATERPILLAR	939		6.735	7.535	1.318	25499	Not Req'd	Not Req'd	25502	22471	N/A	2.228	35199	35205	25562	25546	33936	None
CATERPILLAR	941		6.735	7.220	1.315	25499	Not Req'd	Not Req'd	25502	22471	N/A	2.118	35199	35205	25562	25546	33936	None
CATERPILLAR	941	(9/16" Bolt)	6.735	7	1.314	25499	Not Req'd	Not Req'd	25502	22471	N/A	1.993	35199	35205	35202	25546	33936	None
CATERPILLAR	941	(5/8" Bolt)	6.735	7.22	1.315	25499	Not Req'd	Not Req'd	25502	22471	N/A	2.118	35199	35205	25562	25546	33936	None
CATERPILLAR	941		6.750	7.000	1.314	25499	Not Req'd	Not Req'd	25502	33472	1.330	1.993	35199	35205	N/A	25546	33936	None
CATERPILLAR	943		6.750	7.000	1.314	25499	Not Req'd	Not Req'd	25502	33472	1.330	1.993	35199	35205	N/A	25546	33936	None

3/23/2016				MASTER PIN RMOVAL AND INSTALLATION									BUSHING REMOVAL		BUSHING INSTALL			
MAKE	MODEL	COMMENTS	PITCH	PIN LENGTH	PIN DIA	FORCING PIN (A)	ALIGNING BUSHING (2)(B)		PILOT PIN ©	ALIGNING ADAPTOR (D)	BUSHING ID	BUSHING OD	BUSHING PUSHER (E)	BUSHING ADAPTER (F)	REAR BUSH ASSY PLATE (G)	BUSHING INSTALLER (H)	REAR FORCING PIN (J)	SPECIAL TOOLING
							REMOVAL	INSTALL										
CATERPILLAR	951		6.906	8.120	1.442	25500	Not Req'd	22779	Not Req'd	33472	N/A	2.312	35199	35205		25546	33936	None
CATERPILLAR	953		6.750	8.125	1.438	25500	22779	22779	Not Req'd	33472	1.458	2.118	35199	35205	N/A	25546	33936	None
CATERPILLAR	955		6.750	7.000	1.314	25499	Not Req'd	Not Req'd	25502	33472	1.330	1.993	35199	35205	N/A	25546	33936	None
CATERPILLAR	955	NEW	6.750	8.125	1.438	25500	22779	22779	Not Req'd	33472	1.458	2.118	35199	35205	N/A	25546	33936	None
CATERPILLAR	955		8.000	9.000	1.750	25548	22777	22751	Not Req'd	33471	1.774	2.621	32434	22769	25562	25546	33934	None
CATERPILLAR	963		8.000	9.000	1.750	25548	22777	22751	Not Req'd	33471	1.774	2.621	32434	22769	25562	25546	33934	None
CATERPILLAR	973		8.500	9.813	1.877	25551	22751	22749	Not Req'd	33471	1.898	2.812	32434	22787	25563	25546	33934	None
CATERPILLAR	973		8.5	9.88	1.878	25551	22751	22749	Not Req'd	32441	N/A	2.812	32434	22787	25563	35204	33934	None
CATERPILLAR	977	OLD	6.750	8.125	1.438	25500	22779	22779	Not Req'd	33472	1.458	2.118	35199	35205	N/A	25546	33936	None
CATERPILLAR	977	NEW	8.000	9.688	1.747	25548	22777	22751	Not Req'd	33471	1.773	2.621	32434	22769	25563	25546	33934	None
CATERPILLAR	977		8.500	9.813	1.877	25551	22751	22749	Not Req'd	33471	1.898	2.812	32434	22787	25563	25546	33934	None
CATERPILLAR	983		9.000	11.313	1.998	25551	22749	Not Req'd	Not Req'd	32441	2.024	2.996	32434	22771	25561	25546	33934	None
CATERPILLAR	5080		10.250	12.244	2.253	25501	Not Req'd	Not Req'd	Not Req'd	33474	N/A	3.710	32434	Not Req'd	25561	25546	33934	None
CATERPILLAR	5130					200281	Not Req'd	Not Req'd	25506	32435	N/A	4.330	32434	Not Req'd	25561	25546	33934	None
CATERPILLAR	D7	OLD	8.000	9.688	1.747	25548	22777	22751	Not Req'd	33471	1.773	2.621	32434	22769	25563	25546	33934	None
CATERPILLAR	14A		7.985	11.440	1.752	25548	22777	22751	Not Req'd	32441	N/A	2.621	35199	22769	25562	35204	33934	None
CATERPILLAR	17A		7.985	9.88	1.752	25548	22777	22751	Not Req'd	32441	N/A	2.621	35199	22769	25562	35204	33934	None
CATERPILLAR	215A		7.480	8.120	1.442	25500	Not Req'd	22779	Not Req'd	33472	N/A	2.312	35199	35205	25562	25546	33936	None
CATERPILLAR	225B	EXC	7.48	8.12	1.442	25500	Not Req'd	22779	Not Req'd	33472	N/A	2.312	35199	35205	25562	25546	33936	None
CATERPILLAR	231D		7.985	9.06	1.752	25548	22777	22751	Not Req'd	32441	N/A	2.621	35199	22769	25562	35204	33934	None
CATERPILLAR	235D	EXC	9	11.44	2.003	25551	22751	Not Req'd	Not Req'd	32441	N/A	2.996	32434	22787	25563	35204	33934	None
CATERPILLAR	245S		9.000	11.313	1.998	25551	22749	Not Req'd	Not Req'd	32441	2.024	2.996	32434	22771	25561	25546	33934	None
CATERPILLAR	307C		6.060	5.150	0.940	200281	Not Req'd	Not Req'd	25505	32435	N/A	1.620	35199	33471	35205	35204	33934	None
CATERPILLAR	315B		7.480	8.150	1.442	25500	Not Req'd	22779	Not Req'd	33472	N/A	3.120	35199	22771	25561	25546	33936	None
CATERPILLAR	315C		7.480	8.150	1.442	25500	Not Req'd	22779	Not Req'd	33472	N/A	3.120	35199	22771	25561	25546	33936	None
CATERPILLAR	318C		7.48	8.15	1.442	25500	Not Req'd	22779	Not Req'd	33472	N/A	3.12	35199	22771	25561	25546	33936	None
CATERPILLAR	320C		7.480	8.150	1.442	25500	Not Req'd	22779	Not Req'd	33472	N/A	3.120	35199	22771	25561	25546	33936	None
CATERPILLAR	322B		7.480	8.150	1.442	25500	Not Req'd	22779	Not Req'd	33472	N/A	3.120	35199	22771	25561	25546	33936	None
CATERPILLAR	322C		7.480	8.150	1.442	25500	Not Req'd	22779	Not Req'd	33472	N/A	3.120	35199	22771	25561	25546	33936	None
CATERPILLAR	330B		8.500	9.665	1.811	25551	22751	22749	Not Req'd	32441	N/A	2.677	35199	22769	25562	35204	33934	None
CATERPILLAR	345B		8.500	9.882	1.877	25551	22751	22749	Not Req'd	32441	N/A	2.812	32434	22787	25563	35204	33934	None
CATERPILLAR	345BL		8.500	9.882	1.877	25551	22751	22749	Not Req'd	32441	N/A	2.812	32434	22787	25563	35204	33934	None
CATERPILLAR	385B		10.250	13.188	2.253	25501	Not Req'd	Not Req'd	Not Req'd	33474	N/A	3.371	32434	31658	25561	25546	33934	None
CATERPILLAR	385B		10.25	13.188	2.253	25501	Not Req'd	Not Req'd	Not Req'd	33474	N/A	3.371	32434	31658	25561	25546	33934	None
CATERPILLAR	5080		10.25	12.244	2.253	25501	Not Req'd	Not Req'd	Not Req'd	33474	N/A	3.371	32434	31658	25561	25546	33934	None
CATERPILLAR	561H		6.735	7.535	1.318	25499	Not Req'd	Not Req'd	25502	22471	N/A	2.336	35199	22769	25562	25546	33936	None
CATERPILLAR	561H-HD		6.735	8.445	1.418	25500	Not Req'd	22779	Not Req'd	33472	N/A	2.336	35199	22769	25562	25546	33936	None

3/23/2016				MASTER PIN RMOVAL AND INSTALLATION							ALIGNING BUSHING (2)(B)		BUSHING REMOVAL		BUSHING INSTALL		REAR FORCING PIN (J)		SPECIAL TOOLING
MAKE	MODEL	COMMENTS	PITCH	PIN LENGTH	PIN DIA	FORCING PIN (A)	ALIGNING BUSHING (2)(B)		PILOT PIN ©	ALIGNING ADAPTOR (D)	BUSHING ID	BUSHING OD	BUSHING PUSHER (E)	BUSHING ADAPTER (F)	REAR BUSH ASSY PLATE (G)	BUSHING INSTALLER (H)	REAR FORCING PIN (J)	SPECIAL TOOLING	
							REMOVAL	INSTALL											
CATERPILLAR	571A		8.500	9.813	1.877	25551	22751	22749	Not Req'd	33471	1.898	2.812	32434	22787	25563	25546	33934	None	
CATERPILLAR	572PL		8.000	9.688	1.747	25548	22777	22751	Not Req'd	33471	1.773	2.621	32434	22769	25563	25546	33934	None	
CATERPILLAR	583R	PIPELAYER	8.500	9.880	1.878	25551	22751	22749	Not Req'd	32441	N/A	2.940	32434	22787	25563	35204	33934	None	
CATERPILLAR	594		10.25	12.25	2.252	25501	Not Req'd	Not Req'd	Not Req'd	33474	N/A	3.371	32434	31658	25561	25546	33934	None	
CATERPILLAR	671PL		6.750	8.125	1.438	25500	22779	22779	Not Req'd	33472	1.458	2.118	35199	35205	N/A	25546	33936	None	
CATERPILLAR	935B	Sealed	6.125	6.16	1.129	200281	Not Req'd	Not Req'd	25504	32435	N/A	1.85	35199	33471	35202	EITHER	33934	None	
CATERPILLAR	935C		6.125	6.160	1.129	200281	Not Req'd	Not Req'd	25504	32435	N/A	1.850	35199	33471	35202	EITHER	33934	None	
CATERPILLAR	935C	SALT	6.125	6.16	1.129	200281	Not Req'd	Not Req'd	25504	32435	N/A	1.85	35199	33471	35205	EITHER	33934	None	
CATERPILLAR	951B		6.750	8.125	1.438	25500	22779	22779	Not Req'd	33472	1.458	2.118	35199	35205	N/A	25546	33936	None	
CATERPILLAR	951C		6.906	8.120	1.442	25500	Not Req'd	22779	Not Req'd	33472	N/A	2.312	35199	35205	25562	25546	33936	None	
CATERPILLAR	955		7.985	9.06	1.752	25548	22777	22751	Not Req'd	32441	N/A	2.621	35199	22769	25562	35204	33934	None	
CATERPILLAR	955C		6.750	7.000	1.314	25499	Not Req'd	Not Req'd	25502	33472	1.330	1.993	35199	35205	N/A	25546	33936	None	
CATERPILLAR	955D		6.750	8.125	1.438	25500	22779	22779	Not Req'd	33472	1.458	2.118	35199	35205	N/A	25546	33936	None	
CATERPILLAR	955E		6.750	8.125	1.438	25500	22779	22779	Not Req'd	33472	1.458	2.118	35199	35205	N/A	25546	33936	None	
CATERPILLAR	955H		6.750	8.125	1.438	25500	22779	22779	Not Req'd	33472	1.458	2.118	35199	35205	N/A	25546	33936	None	
CATERPILLAR	955-HD		6.906	8.13	1.442	25500	Not Req'd	22779	Not Req'd	33472	N/A	2.118	35199	35205	25562	25546	33936	None	
CATERPILLAR	955K		6.750	8.125	1.438	25500	22779	22779	Not Req'd	33472	1.458	2.118	35199	35205	N/A	25546	33936	None	
CATERPILLAR	955LD		6.750	7.000	1.314	25499	Not Req'd	Not Req'd	25502	33472	1.330	1.993	35199	35205	N/A	25546	33936	None	
CATERPILLAR	977E		8.000	9.688	1.747	25548	22777	22751	Not Req'd	33471	1.773	2.621	32434	22769	25563	25546	33934	None	
CATERPILLAR	977H		8.000	9.688	1.747	25548	22777	22751	Not Req'd	33471	1.773	2.621	32434	22769	25563	25546	33934	None	
CATERPILLAR	977K		8.000	9.688	1.747	25548	22777	22751	Not Req'd	33471	1.773	2.621	32434	22769	25563	25546	33934	None	
CATERPILLAR	AP1050		6.125	6.160	1.129	200281	Not Req'd	Not Req'd	25504	32435	N/A	1.850	35199	33471	35205	EITHER	33934	None	
CATERPILLAR	D10		10.25	12.25	2.252	25501	Not Req'd	Not Req'd	Not Req'd	33474	N/A	3.809	32434	Not Req'd	25561	25546	33934	None	
CATERPILLAR	D10	PPR	10.25	11.97	2.252	25501	Not Req'd	Not Req'd	Not Req'd	33474	N/A	3.809	32434	Not Req'd	25561	25546	33934	None	
CATERPILLAR	D10N		10.25	12.25	2.252	25501	Not Req'd	Not Req'd	Not Req'd	33474	N/A	3.557	32434	31658	25561	25546	33934	None	
CATERPILLAR	D10N	PPR	10.25	11.97	2.252	25501	Not Req'd	Not Req'd	Not Req'd	33474	N/A	3.557	32434	31658	25561	25546	33934	None	
CATERPILLAR	D10N		10.25	11.97	2.253	25501	Not Req'd	Not Req'd	Not Req'd	33474	N/A	3.557	32434	31658	25561	25546	33934	None	
CATERPILLAR	D11		12.5	13.81	2.626	25553	Not Req'd	Not Req'd	Not Req'd	Not Req'd	N/A	4.633	32434	Not Req'd	25561	25546	33934	None	
CATERPILLAR	D11N	PPR	12.25	11.97	2.252	25501	Not Req'd	Not Req'd	Not Req'd	33474	N/A	3.557	32434	31658	25561	25546	33934	None	
CATERPILLAR	D11N		12.5	11.97	2.252	25501	Not Req'd	Not Req'd	Not Req'd	33474	N/A	3.557	32434	31658	25561	25546	33934	None	
CATERPILLAR	D11R		12.5	11.97	2.252	25501	Not Req'd	Not Req'd	Not Req'd	33474	N/A	3.557	32434	31658	25561	25546	33934	None	
CATERPILLAR	D2		6.125	6.156	1.127	200281	Not Req'd	Not Req'd	25504	32435	N/A	1.690	35199	33471	35205	35204	33934	None	
CATERPILLAR	D3		6.125	5.989	1.129	200281	Not Req'd	Not Req'd	25504	32435	1.150	1.850	35199	33471	N/A	EITHER	33934	None	
CATERPILLAR	D3B		6.125	6.16	1.129	200281	Not Req'd	Not Req'd	25504	32435	N/A	1.85	35199	33471	35205	EITHER	33934	None	
CATERPILLAR	D3C		6.125	6.16	1.129	200281	Not Req'd	Not Req'd	25504	32435	N/A	1.85	35199	33471	35202	EITHER	33934	None	
CATERPILLAR	D4		6.750	7.000	1.314	25499	Not Req'd	Not Req'd	25502	33472	1.330	1.993	35199	35205	N/A	25546	33936	None	
CATERPILLAR	D4B		6.125	5.989	1.129	200281	Not Req'd	Not Req'd	25504	32435	1.150	1.850	35199	33471	N/A	EITHER	33934	None	

3/23/2016				MASTER PIN RMOVAL AND INSTALLATION									BUSHING REMOVAL		BUSHING INSTALL			
MAKE	MODEL	COMMENTS	PITCH	PIN LENGTH	PIN DIA	FORCING PIN (A)	ALIGNING BUSHING (2)(B)		PILOT PIN ©	ALIGNING ADAPTOR (D)	BUSHING ID	BUSHING OD	BUSHING PUSHER (E)	BUSHING ADAPTER (F)	REAR BUSH ASSY PLATE (G)	BUSHING INSTALLER (H)	REAR FORCING PIN (J)	SPECIAL TOOLING
							REMOVAL	INSTALL										
CATERPILLAR	D4C		6.125	5.989	1.129	200281	Not Req'd	Not Req'd	25504	32435	1.150	1.850	35199	33471	N/A	EITHER	33934	None
CATERPILLAR	D4C		6.735	7	1.314	25499	Not Req'd	Not Req'd	25502	22471	N/A	1.994	35199	35205	35202	25546	33936	None
CATERPILLAR	D4C		6.125	6.16	1.129	200281	Not Req'd	Not Req'd	25504	32435	N/A	1.85	35199	33471	35202	EITHER	33934	None
CATERPILLAR	D4D		6.735	7.000	1.314	25499	Not Req'd	Not Req'd	25502	22471	N/A	1.993	35199	35205	35202	25546	33936	None
CATERPILLAR	D4G		6.125	5.989	1.129	200281	Not Req'd	Not Req'd	25504	32435	1.150	1.850	35199	33471	N/A	EITHER	33934	None
CATERPILLAR	D4H		6.735	7.535	1.318	25499	Not Req'd	Not Req'd	25502	22471	N/A	2.228	35199	35205	25562	25546	33936	None
CATERPILLAR	D4H-HD		6.735	8.445	1.418	25500	Not Req'd	22779	Not Req'd	33472	N/A	2.336	35199	22769	25562	25546	33936	None
CATERPILLAR	D5		6.750	8.125	1.438	25500	22779	22779	Not Req'd	33472	1.458	2.118	35199	35205	N/A	25546	33936	None
CATERPILLAR	D5	PRO	6.906	8.120	1.442	25500	Not Req'd	22779	Not Req'd	33472	N/A	2.312	35199	35205	25562	25546	33936	None
CATERPILLAR	D5	Sealed	6.906	8.12	1.442	25500	Not Req'd	22779	Not Req'd	33472	N/A	2.312	35199	35205	25562	25546	33936	None
CATERPILLAR	D5B		6.906	8.125	1.442	25500	Not Req'd	22779	Not Req'd	33472	N/A	2.312	35199	35205	25562	25546	33936	None
CATERPILLAR	D5C		6.735	7.535	1.318	25499	Not Req'd	Not Req'd	25502	22471	N/A	2.280	35199	35205	25562	25546	33936	None
CATERPILLAR	D5H		7.480	8.120	1.442	25500	Not Req'd	22779	Not Req'd	33472	N/A	2.413	35199	22769	25562	25546	33936	None
CATERPILLAR	D5H-HD		7.480	9.390	1.490	25500	Not Req'd	22779	Not Req'd	32437	N/A	2.495	35199	22769	25562	25546	33934	None
CATERPILLAR	D5M		6.735	7.535	1.318	25499	Not Req'd	Not Req'd	25502	22471	N/A	2.366	35199	22769	25562	25546	33936	None
CATERPILLAR	D6		6.750	8.125	1.438	25500	22779	22779	Not Req'd	33472	1.458	2.118	35199	35205	N/A	25546	33936	None
CATERPILLAR	D6		7.985	9.060	1.752	25548	22777	22751	Not Req'd	32441	N/A	2.621	35199	22769	25562	35204	33934	None
CATERPILLAR	D6B		6.750	8.125	1.438	25500	22779	22779	Not Req'd	33472	1.458	2.118	35199	35205	N/A	25546	33936	None
CATERPILLAR	D6C		8.000	9.000	1.750	25548	22777	22751	Not Req'd	33471	1.774	2.621	32434	22769	25562	25546	33934	None
CATERPILLAR	D6D		7.985	9.060	1.752	25548	22777	22751	Not Req'd	32441	N/A	2.621	35199	22769	25562	35204	33934	None
CATERPILLAR	D6H		7.985	9.060	1.530	25547	22779	22777	Not Req'd	32437	N/A	2.750	35199	35206	25563	35204	33934	None
CATERPILLAR	D6H-HD		7.985	10.315	1.753	25548	22777	22751	Not Req'd	32441	N/A	2.864	35199	22787	25563	35204	33934	None
CATERPILLAR	D6M		7.480	1.495	8.120	25553	Not Req'd	Not Req'd	Not Req'd	Not Req'd	N/A	2.495	35199	22769	25562	25546	33934	None
CATERPILLAR	D6R		7.985	9.060	1.752	25548	22777	22751	Not Req'd	32441	N/A	2.864	35199	22787	25563	35204	33934	None
CATERPILLAR	D7C		7.985	9.880	1.752	25548	22777	22751	Not Req'd	32441	N/A	2.621	35199	22769	25562	35204	33934	None
CATERPILLAR	D7D		7.985	9.880	1.752	25548	22777	22751	Not Req'd	32441	N/A	2.621	35199	22769	25562	35204	33934	None
CATERPILLAR	D7E		7.985	9.880	1.877	25551	22751	22749	Not Req'd	32441	N/A	2.812	32434	22787	25563	35204	33934	None
CATERPILLAR	D7E		8.500	9.813	1.877	25551	22751	22749	Not Req'd	33471	1.898	2.812	32434	22787	25563	25546	33934	None
CATERPILLAR	D7F		7.985	9.880	1.877	25551	22751	22749	Not Req'd	32441	N/A	2.812	32434	22787	25563	35204	33934	None
CATERPILLAR	D7F		8.500	9.813	1.877	25551	22751	22749	Not Req'd	33471	1.898	2.812	32434	22787	25563	25546	33934	None
CATERPILLAR	D7G		7.985	9.880	1.877	25551	22751	22749	Not Req'd	32441	N/A	2.812	32434	22787		35204	33934	None
CATERPILLAR	D7G		8.500	9.813	1.877	25551	22751	22749	Not Req'd	33471	1.898	2.812	32434	22787	25563	25546	33934	None
CATERPILLAR	D7G	Sealed	7.985	9.88	1.877	25551	22751	22749	Not Req'd	32441	N/A	2.812	32434	22787	25563	35204	33934	None
CATERPILLAR	D7G-LGP		8.5	9.88	1.878	25551	22751	22749	Not Req'd	32441	N/A	2.812	32434	22787	25563	35204	33934	None
CATERPILLAR	D7H		8.500	9.880	1.878	25551	22751	22749	Not Req'd	32441	N/A	2.937	32434	22787	25563	35204	33934	None
CATERPILLAR	D7H-HD		8.500	10.866	1.878	25551	22751	22749	Not Req'd	32441	N/A	3.085	32434	22771	25561	25546	33934	None
CATERPILLAR	D7N		8.500	9.813	1.877	25551	22751	22749	Not Req'd	33471	1.898	2.812	32434	22787	25563	25546	33934	None

3/23/2016				MASTER PIN RMOVAL AND INSTALLATION									BUSHING REMOVAL		BUSHING INSTALL			
MAKE	MODEL	COMMENTS	PITCH	PIN LENGTH	PIN DIA	FORCING PIN (A)	ALIGNING BUSHING (2)(B)		PILOT PIN ©	ALIGNING ADAPTOR (D)	BUSHING ID	BUSHING OD	BUSHING PUSHER (E)	BUSHING ADAPTER (F)	REAR BUSH ASSY PLATE (G)	BUSHING INSTALLER (H)	REAR FORCING PIN (J)	SPECIAL TOOLING
							REMOVAL	INSTALL										
CATERPILLAR	D7R		8.500	10.875	1.878	25551	22751	22749	Not Req'd	32441	N/A	3.085	32434	22771	25561	25546	33934	None
CATERPILLAR	D8		8.000	11.438	1.740	25548	22777	22751	Not Req'd	33471	1.788	2.618	32434	22787	25561	25546	33934	None
CATERPILLAR	D8D		8.000	11.438	1.740	25548	22777	22751	Not Req'd	33471	1.788	2.618	32434	22787	25561	25546	33934	None
CATERPILLAR	D8E		8.000	11.438	1.740	25548	22777	22751	Not Req'd	33471	1.788	2.618	32434	22787	25561	25546	33934	None
CATERPILLAR	D8F		8.000	11.438	1.740	25548	22777	22751	Not Req'd	33471	1.788	2.618	32434	22787	25561	25546	33934	None
CATERPILLAR	D8G		8.000	11.438	1.740	25548	22777	22751	Not Req'd	33471	1.788	2.618	32434	22787	25561	25546	33934	None
CATERPILLAR	D8H		9.000	11.313	1.998	25551	22749	Not Req'd	Not Req'd	32441	2.024	2.996	32434	22771	25561	25546	33934	None
CATERPILLAR	D8H	Sealed	9	11.44	2.003	25551	22751	Not Req'd	Not Req'd	32441	N/A	2.996	32434		25563	35204	33934	None
CATERPILLAR	D8J		9.000	11.313	1.998	25551	22749	Not Req'd	Not Req'd	32441	2.024	2.996	32434	22771	25561	25546	33934	None
CATERPILLAR	D8K		9.000	11.313	1.998	25551	22749	Not Req'd	Not Req'd	32441	2.024	2.996	32434	22771	25561	25546	33934	None
CATERPILLAR	D8L		8.500	9.880	1.878	25551	22751	22749	Not Req'd	32441	N/A	2.940	32434	22787	25563	35204	33934	None
CATERPILLAR	D8N		8.500	9.880	1.878	25551	22751	22749	Not Req'd	32441	N/A	2.940	32434	22787	25563	35204	33934	None
CATERPILLAR	D8R		8.5	9.88	1.878	25551	22751	22749	Not Req'd	32441	N/A	2.94	32434	22787	25563	35204	33934	None
CATERPILLAR	D9		9.000	11.875	2.002	25551	22749	Not Req'd	Not Req'd	32441	2.024	2.871	32434	22789	25561	25546	33934	None
CATERPILLAR	D9		10.25	12.25	2.25	25501	Not Req'd	Not Req'd	Not Req'd	33474	N/A	3.371	32434	31658	25561	25546	33934	None
CATERPILLAR	D9D		10.250	12.125	2.252	25501	Not Req'd	Not Req'd	Not Req'd	33474	2.274	3.375	32434	31658	25561	25546	33934	None
CATERPILLAR	D9E		10.250	12.125	2.252	25501	Not Req'd	Not Req'd	Not Req'd	33474	2.274	3.375	32434	31658	25561	25546	33934	None
CATERPILLAR	D9G		10.250	12.125	2.252	25501	Not Req'd	Not Req'd	Not Req'd	33474	2.274	3.375	32434	31658	25561	25546	33934	None
CATERPILLAR	D9H	Sealed	10.25	12.25	2.252	25501	Not Req'd	Not Req'd	Not Req'd	33474	N/A	3.371	32434	31658	25561	25546	33934	None
CATERPILLAR	D9H	SALT	10.25	12.25	2.252	25501	Not Req'd	Not Req'd	Not Req'd	33474	N/A	3.22	32434	31658	25561	25546	33934	None
CATERPILLAR	D9L		9.000	11.875	2.002	25551	22749	Not Req'd	Not Req'd	32441	2.024	2.871	32434	22789	25561	25546	33934	None
CATERPILLAR	D9L	PPR	9	10.77	2.003	25551	22751	Not Req'd	Not Req'd	32441	N/A	3.23	32434	31658	25561	25546	33934	None
CATERPILLAR	D9N		9.45	10.98	2.003	25551	22751	Not Req'd	Not Req'd	32441	N/A	3.163	32434	22771	25561	25546	33934	None
CATERPILLAR	D9N	PPR	9.45	10.44	2.003	25551	22751	Not Req'd	Not Req'd	32441	N/A	3.136	32434	22771	25561	25546	33934	None
CATERPILLAR	D9R		9.45	10.98	2.003	25551	22751	Not Req'd	Not Req'd	32441	N/A	3.163	32434	22771	25561	25546	33934	None
CATERPILLAR	D9R	PPR	9.45	10.44	2.003	25551	22751	Not Req'd	Not Req'd	32441	N/A	3.136	32434	22771	25561	25546	33934	None
CATERPILLAR	E110B		6.75	7.01	1.319	25499	Not Req'd	Not Req'd	25502	22471	N/A	1.984	35199	35205	35205	EITHER	33936	None
CATERPILLAR	E120B		6.75	7.01	1.319	25499	Not Req'd	Not Req'd	25502	22471	N/A	1.984	35199	35205	35202	EITHER	33936	None
CATERPILLAR	E180		6.906	8.12	1.442	25500	Not Req'd	22779	Not Req'd	33472	N/A	2.31	35199	35205	25562	25546	33936	None
CATERPILLAR	E200B		7.48	8.125	1.443	25500	Not Req'd	22779	Not Req'd	33472	N/A	2.311	35199	35205	25562	25546	33936	None
CATERPILLAR	E240		7.48	8.125	1.443	25500	Not Req'd	22779	Not Req'd	33472	N/A	2.311	35199	35205	25562	25546	33936	None
CATERPILLAR	E300A		7.48	8.58	1.488	25500	Not Req'd	22779	Not Req'd	32437	N/A	2.325	35199	22769	25562	25546	33936	None
CATERPILLAR	E300B		8	9.65	1.75	25548	22777	22751	Not Req'd	32441	N/A	2.624	35199	22769	25562	35204	33934	None
CATERPILLAR	E450		8.5	10	1.873	25551	22751	22749	Not Req'd	32441	N/A	2.809	35199	22787	25563	35204	33934	None
CATERPILLAR	E70		5.315	5.51	0.945	200281	Not Req'd	Not Req'd	25505	32435	N/A	1.614	35199	33471	35202	35204	33934	None
CATERPILLAR	E70B		5.315	5.51	0.945	200281	Not Req'd	Not Req'd	25505	32435	N/A	1.614	35199	33471	35202	35204	33934	None
CATERPILLAR	EL180		6.906	8.12	1.442	25500	Not Req'd	22779	Not Req'd	33472	N/A	2.31	35199	35205	25562	25546	33936	None

3/23/2016				MASTER PIN RMOVAL AND INSTALLATION									BUSHING REMOVAL		BUSHING INSTALL			
MAKE	MODEL	COMMENTS	PITCH	PIN LENGTH	PIN DIA	FORCING PIN (A)	ALIGNING BUSHING (2)(B)		PILOT PIN ©	ALIGNING ADAPTOR (D)	BUSHING ID	BUSHING OD	BUSHING PUSHER (E)	BUSHING ADAPTER (F)	REAR BUSH ASSY PLATE (G)	BUSHING INSTALLER (H)	REAR FORCING PIN (J)	SPECIAL TOOLING
							REMOVAL	INSTALL										
CATERPILLAR	EL200B		7.48	8.125	1.443	25500	Not Req'd	22779	Not Req'd	33472	N/A	2.311	35199	35205	25562	25546	33936	None
CATERPILLAR	EL240		7.48	8.125	1.443	25500	Not Req'd	22779	Not Req'd	33472	N/A	2.311	35199	35205	25562	25546	33936	None
CATERPILLAR	EL300A/B		8	9.65	1.75	25548	22777	22751	Not Req'd	32441	N/A	2.624	35199	22769	25562	35204	33934	None
CATERPILLAR	FB227		7.985	9.06	1.752	25548	22777	22751	Not Req'd	32441	N/A	2.621	35199	22769	25562	35204	33934	None
CATERPILLAR	MHI 180-8		6.906	8.12	1.442	25500	Not Req'd	22779	Not Req'd	33472	N/A	2.31	35199	35205	25562	25546	33936	None
CATERPILLAR	MHI 180LC-8		6.906	8.12	1.442	25500	Not Req'd	22779	Not Req'd	33472	N/A	2.31	35199	35205	25562	25546	33936	None
CATERPILLAR	MHI 300LC-8		8	9.65	1.75	25548	22777	22751	Not Req'd	32441	N/A	2.624	35199	22769	25562	35204	33934	None
CATERPILLAR	PR450		6.125	6.16	1.129	200281	Not Req'd	Not Req'd	25504	32435	N/A	1.85	35199	33471	35202	EITHER	33934	None
CATERPILLAR	SF350		6.125	6.16	1.129	200281	Not Req'd	Not Req'd	25504	32435	N/A	1.85	35199	33471	35202	EITHER	33934	None
CATERPILLAR	TR225		6.125	6.16	1.129	200281	Not Req'd	Not Req'd	25504	32435	N/A	1.85	35199	33471	35202	EITHER	33934	None
DRESSER	150		6.5	6.69	1.374	25499	Not Req'd	Not Req'd	25502	33472	N/A	2.053	35199	35205	25562	25546	33934	None
DRESSER	175		7	7.87	1.625	25547	22779	22751	Not Req'd	32437	N/A	2.364	35199	22769	25562	25546	33936	None
DRESSER	500		6	5.36	1.125	200281	Not Req'd	Not Req'd	25504	32435	N/A	1.656	35199	33471	35202	35204	33934	None
DRESSER	100B		6	5.97	1.25	25498	Not Req'd	Not Req'd	25502	32435	N/A	1.8	35199	33471	35202	EITHER	33934	None
DRESSER	100C		6	6.5	1.25	25498	Not Req'd	Not Req'd	25502	32435	N/A	1.805	35199	33471	35202	EITHER	33934	None
DRESSER	100E		6	6.5	1.25	25498	Not Req'd	Not Req'd	25502	32435	N/A	1.8	35199	33471	35205	EITHER	33934	None
DRESSER	100G		6.49	6.69	1.314	25499	Not Req'd	Not Req'd	25502	22471	N/A	2.115	35199	35205	25562	25546	33934	None
DRESSER	125C		6.5	6.69	1.374	25499	Not Req'd	Not Req'd	25502	33472	N/A	2.053	35199	35205	25562	25546	33934	None
DRESSER	125E		6.5	6.69	1.374	25499	Not Req'd	Not Req'd	25502	33472	N/A	2.053	35199	35205	25562	25546	33934	None
DRESSER	125G		6.49	6.69	1.314	25499	Not Req'd	Not Req'd	25502	22471	N/A	2.115	35199	35205	25562	25546	33934	None
DRESSER	175B		7	7.87	1.625	25547	22779	22751	Not Req'd	32437	N/A	2.364	35199	22769	25562	25546	33936	None
DRESSER	175B		7.5	8.81	1.75	25548	22777	22751	Not Req'd	32441	N/A	2.614	35199	22769	25562	25546	33936	None
DRESSER	175C		7.5	8.81	1.75	25548	22777	22751	Not Req'd	32441	N/A	2.614	35199	22769	25562	25546	33936	None
DRESSER	250B		7.5	9.31	1.75	25548	22777	22751	Not Req'd	32441	N/A	2.614	35199	22769	25562	25546	33934	None
DRESSER	250C		7.5	9.31	1.75	25548	22777	22751	Not Req'd	32441	N/A	2.614	35199	22769	25562	25546	33934	None
DRESSER	500E		5.99	5.3	1.125	200281	Not Req'd	Not Req'd	25504	32435	N/A	1.675	35199	33471	35202	35204	33934	None
DRESSER	T340		6	4.75	1.01	200281	Not Req'd	Not Req'd	25505	32435	N/A	1.47	35199	32437	35202	35204	33934	None
DRESSER	T5		6	4.75	1.01	200281	Not Req'd	Not Req'd	25505	32435	N/A	1.47	35199	32437	35202	35204	33934	None
DRESSER	T6		6	5.97	1.25	25498	Not Req'd	Not Req'd	25502	32435	N/A	1.8	35199	33471	35202	EITHER	33934	None
DRESSER	T7		6	6.5	1.25	25498	Not Req'd	Not Req'd	25502	32435	N/A	1.805	35199	33471	35202	EITHER	33934	None
DRESSER	TD12	SALT	7.5	8.03	1.5	25500	Not Req'd	22777	Not Req'd	32437	N/A	2.366	35199	22769	25562	25546	33936	None
DRESSER	TD12	Sealed	7.5	8.03	1.75	25548	22777	22751	Not Req'd	32441	N/A	2.366	35199	22769	25562	25546	33936	None
DRESSER	TD12A		7.49	8.03	1.5	25500	Not Req'd	22777	Not Req'd	32437	N/A	2.366	35199	22769	25562	25546	33936	None
DRESSER	TD12B		7.49	8.03	1.5	25500	Not Req'd	22777	Not Req'd	32437	N/A	2.366	35199	22769	25562	25546	33936	None
DRESSER	TD15B		7	7.87	1.625	25547	22779	22751	Not Req'd	32437	N/A	2.364	35199	22769	25562	25546	33936	None
DRESSER	TD15B		7.5	8.81	1.75	25548	22777	22751	Not Req'd	32441	N/A	2.614	35199	22769	25562	25546	33936	None
DRESSER	TD15C		7.5	8.81	1.75	25548	22777	22751	Not Req'd	32441	N/A	2.614	35199	22769	25562	25546	33936	None

3/23/2016				MASTER PIN RMOVAL AND INSTALLATION							ALIGNING		BUSHING REMOVAL		BUSHING INSTALL		REAR		SPECIAL
MAKE	MODEL	COMMENTS	PITCH	PIN LENGTH	PIN DIA	FORCING PIN (A)	ALIGNING BUSHING (2)(B)		PILOT PIN ©	ALIGNING ADAPTOR (D)	BUSHING ID	BUSHING OD	BUSHING PUSHER (E)	BUSHING ADAPTER (F)	REAR BUSH ASSY PLATE (G)	BUSHING INSTALLER (H)	REAR FORCING PIN (J)	SPECIAL TOOLING	
							REMOVAL	INSTALL											
DRESSER	TD15C		7.5	8.81	1.625	25547	22779	22751	Not Req'd	32437	N/A	2.614	35199	22769	25562	25546	33936	None	
DRESSER	TD15C	LGP	7.5	8.81	1.625	25547	22779	22751	Not Req'd	32437	N/A	2.614	35199	22769	25562	25546	33936	None	
DRESSER	TD15E	LGP	7.98	8.81	1.75	25548	22777	22751	Not Req'd	32441	N/A	2.754	35199	35206	25563	35204	33936	None	
DRESSER	TD15E	SALT	7.98	8.81	1.75	25548	22777	22751	Not Req'd	32441	N/A	2.754	35199	35206	25563	35204	33936	None	
DRESSER	TD15E	Sealed	7.98	8.81	1.75	25548	22777	22751	Not Req'd	32441	N/A	2.756	35199	35206	25563	35204	33936	None	
DRESSER	TD20B		7.5	9.31	1.75	25548	22777	22751	Not Req'd	32441	N/A	2.614	35199	22769	25562	25546	33934	None	
DRESSER	TD20C		7.5	9.31	1.75	25548	22777	22751	Not Req'd	32441	N/A	2.614	35199	22769	25562	25546	33934	None	
DRESSER	TD20C		8.5	9.31	1.875	25551	22751	22749	Not Req'd	32441	N/A	2.862	35199	22787	25563	35204	33934	None	
DRESSER	TD20E		8.5	10.44	1.875	25551	22751	22749	Not Req'd	32441	N/A	2.866	35199	22787	25563	35204	33934	None	
DRESSER	TD20E		8.5	10.43	1.875	25551	22751	22749	Not Req'd	32441	N/A	2.866	35199	22787	25563	35204	33934	None	
DRESSER	TD20E	SPLIT	8.5	10.43	1.875	25551	22751	22749	Not Req'd	32441	N/A	2.866	35199	22787	25563	35204	33934	None	
DRESSER	TD20G		8.5	10.43	1.875	25551	22751	22749	Not Req'd	32441	N/A	2.866	35199	22787	25563	35204	33934	None	
DRESSER	TD20G	LGP	8.5	10.43	1.875	25551	22751	22749	Not Req'd	32441	N/A	2.866	35199	22787	25563	35204	33934	None	
DRESSER	TD24		8.5	11	1.875	25551	22751	22749	Not Req'd	32441	N/A	2.864	35199	22787	25563	35204	33934	None	
DRESSER	TD25B		8.5	11	1.875	25551	22751	22749	Not Req'd	32441	N/A	2.864	35199	22787	25563	35204	33934	None	
DRESSER	TD25C		9.87	11	2.125	25501	Not Req'd	Not Req'd	Not Req'd	33474	N/A	3.239	32434	31658	25561	25546	33934	None	
DRESSER	TD25E		9.87	11	2.125	25501	Not Req'd	Not Req'd	Not Req'd	33474	N/A	3.239	32434	31658	25561	25546	33934	None	
DRESSER	TD25G		9.87	11	2.125	25501	Not Req'd	Not Req'd	Not Req'd	33474	N/A	3.239	32434	31658	25561	25546	33934	None	
DRESSER	TD30		9.87	11	2.125	25501	Not Req'd	Not Req'd	Not Req'd	33474	N/A	3.239	32434	31658	25561	25546	33934	None	
DRESSER	TD4		6	4.75	1.01	200281	Not Req'd	Not Req'd	25505	32435	N/A	1.47	35199	32437	35202	35204	33934	None	
DRESSER	TD40	SPLIT	11.02	12.6	2.454	25553	Not Req'd	Not Req'd	Not Req'd	Not Req'd	N/A	3.772	32434	Not Req'd	25561	25546	33934	None	
DRESSER	TD5		6	4.75	1.01	200281	Not Req'd	Not Req'd	25505	32435	N/A	1.47	35199	32437	35202	35204	33934	None	
DRESSER	TD6		6	5.97	1.25	25498	Not Req'd	Not Req'd	25502	32435	N/A	1.8	35199	33471	35202	EITHER	33934	None	
DRESSER	TD7C		6	6.5	1.25	25498	Not Req'd	Not Req'd	25502	32435	N/A	1.805	35199	33471	35202	EITHER	33934	None	
DRESSER	TD7E		6	6.5	1.25	25498	Not Req'd	Not Req'd	25502	32435	N/A	1.8	35199	33471	35202	EITHER	33934	None	
DRESSER	TD7G		6.49	6.69	1.314	25499	Not Req'd	Not Req'd	25502	22471	N/A	2.115	35199	35205	25562	25546	33934	None	
DRESSER	TD7H		6.49	6.69	1.312	25499	Not Req'd	Not Req'd	25502	22471	N/A	2.115	35199	35205	25562	25546	33934	None	
DRESSER	TD8C		6.5	6.69	1.374	25499	Not Req'd	Not Req'd	25502	33472	N/A	2.053	35199	35205	25562	25546	33934	None	
DRESSER	TD8E		6.5	6.69	1.374	25499	Not Req'd	Not Req'd	25502	33472	N/A	2.053	35199	35205	25562	25546	33934	None	
DRESSER	TD8G		6.49	6.69	1.314	25499	Not Req'd	Not Req'd	25502	22471	N/A	2.115	35199	35205	25562	25546	33934	None	
DRESSER	TD9B		6.5	6.69	1.374	25499	Not Req'd	Not Req'd	25502	33472	N/A	2.053	35199	35205	25562	25546	33934	None	
FIAT	8		6.688	7.000	1.373	25499	Not Req'd	Not Req'd	25502	33472	N/A	N/A	35199	Not Req'd	N/A	25546	33936	None	
FIAT	10		6.938	7.875	1.451	25500	22779	22779	Not Req'd	32437	N/A	N/A	35199	Not Req'd	N/A	25546	33936	None	
FIAT	14		7.500	8.625	1.569	25547	22779	22777	Not Req'd	32437	N/A	N/A	35199	Not Req'd	N/A	25546	33936	None	
FIAT	31		11.281	12.953	2.374	25553	Not Req'd	Not Req'd	Not Req'd	Not Req'd	N/A	3.876	32434	Not Req'd	25561	25546	33934	None	
FIAT	455		5.313	4.875	0.978	200281	Not Req'd	Not Req'd	25505	32437	0.989	1.453	35199	32437	35202	35204	33934	32425	
FIAT	505		5.313	4.875	0.978	200281	Not Req'd	Not Req'd	25505	32437	0.989	1.453	35199	32437	35202	35204	33934	32425	

3/23/2016				MASTER PIN RMOVAL AND INSTALLATION									BUSHING REMOVAL		BUSHING INSTALL			
MAKE	MODEL	COMMENTS	PITCH	PIN LENGTH	PIN DIA	FORCING PIN (A)	ALIGNING BUSHING (2)(B)		PILOT PIN ©	ALIGNING ADAPTOR (D)	BUSHING ID	BUSHING OD	BUSHING PUSHER (E)	BUSHING ADAPTER (F)	REAR BUSH ASSY PLATE (G)	BUSHING INSTALLER (H)	REAR FORCING PIN (J)	SPECIAL TOOLING
							REMOVAL	INSTALL										
FIAT	555		5.313	4.875	0.978	200281	Not Req'd	Not Req'd	25505	32437	0.989	1.453	35199	32437	35202	35204	33934	32425
FIAT	650		6.000	6.500	1.246	25498	Not Req'd	Not Req'd	25504	32435	1.275	1.877	35199	33471	N/A	N/A	33934	None
FIAT	652		6	6.24	1.25	25498	Not Req'd	Not Req'd	25502	32435	N/A	1.875	35199	33471	35202	EITHER	33934	None
FIAT	653		6	6.24	1.25	25498	Not Req'd	Not Req'd	25502	32435	N/A	1.875	35199	33471	35202	EITHER	33934	None
FIAT	655		6	6.24	1.25	25498	Not Req'd	Not Req'd	25502	32435	N/A	1.875	35199	33471	35202	EITHER	33934	None
FIAT	655		6.313	5.875	1.175	25498	Not Req'd	Not Req'd	25504	22471	1.186	1.770	35199	33471	35202	35204	33934	32435
FIAT	HD-11	OLD	7.000	8.125	1.558	25547	22779	22777	Not Req'd	32437	1.572	2.313	35199	35205	N/A	N/A	33936	None
FIAT	HD-11	OLD, SEALED	7.000	8.375	1.619	25547	22779	22777	Not Req'd	32437	1.631	2.500	35199	22769	N/A	N/A	33936	None
FIAT	HD-11GC	NEW	7.000	8.375	1.619	25547	22779	22777	Not Req'd	32437	1.631	2.500	35199	22769	N/A	N/A	33936	None
FIAT	HD-21	NEW	9.000	11.625	1.995	25551	22749	Not Req'd	Not Req'd	32441	2.021	3.040	32434	22789	25561	25546	33934	None
FIAT	100C		6.688	6.750	1.372	25499	Not Req'd	Not Req'd	25502	22471	1.383	2.046	35199	35205	25562	35204	33934	33472
FIAT	10B		6.938	7.875	1.451	25500	22779	22779	Not Req'd	32437	N/A	N/A	35199	Not Req'd	N/A	25546	33936	None
FIAT	11B		7.000	8.375	1.620	25547	22779	22751	Not Req'd	32437	N/A	N/A	35199	Not Req'd	N/A	25546	33936	None
FIAT	12G		7.85	10.27	1.876	25551	22751	22749	Not Req'd	32441	N/A	2.879	32434	22771	25563	35204	33934	None
FIAT	12GB		7.85	10.27	1.876	25551	22751	22749	Not Req'd	32441	N/A	2.875	32434	22787	25563	35204	33934	None
FIAT	16B		7.875	10.250	1.872	25551	22751	22749	Not Req'd	33471	N/A	N/A	35199	Not Req'd	N/A	25546	33934	None
FIAT	21C		9.000	11.625	2.031	25501	22749	Not Req'd	Not Req'd	33471	N/A	N/A	32434	Not Req'd	N/A	25546	33934	None
FIAT	411C		5.313	4.875	0.978	200281	Not Req'd	Not Req'd	25505	32437	0.989	1.453	35199	32437	35202	35204	33934	32425
FIAT	41B		11.281	14	2.622	25553	Not Req'd	Not Req'd	Not Req'd	Not Req'd	N/A	3.998	32434	Not Req'd	25561	25546	33934	None
FIAT	450M		6.313	5.875	1.175	25498	Not Req'd	Not Req'd	25504	22471	1.186	1.770	35199	33471	35202	35204	33934	32435
FIAT	500M		6.313	5.875	1.175	25498	Not Req'd	Not Req'd	25504	22471	1.186	1.770	35199	33471	35202	35204	33934	32435
FIAT	60C		6.688	6.750	1.372	25499	Not Req'd	Not Req'd	25502	22471	1.383	2.046	35199	35205	25562	35204	33934	33472
FIAT	70C		6.688	6.750	1.372	25499	Not Req'd	Not Req'd	25502	22471	1.383	2.046	35199	35205	25562	35204	33934	33472
FIAT	AD10		6.938	8.000	1.450	25500	22779	22779	Not Req'd	32437	1.462	2.284	35199	35205	25562	35204	33936	32437
FIAT	AD10B		6.929	7.87	1.458	25500	Not Req'd	22779	Not Req'd	33472	N/A	2.287	35199	35205	25562	25546	33936	None
FIAT	AD12		7.48	8.66	1.577	25547	22779	22777	Not Req'd	32437	N/A	2.366	35199	22769	25562	25546	33936	None
FIAT	AD14		7.48	8.66	1.577	25547	22779	22777	Not Req'd	32437	N/A	2.366	35199	22769	25562	25546	33936	None
FIAT	AD14B		7.48	8.66	1.577	25547	22779	22777	Not Req'd	32437	N/A	CHECK	32437	35205	35204	33936	None	
FIAT	AD18		8.500	10.000	1.872	25551	22751	22749	Not Req'd	33471	1.877	2.816	35199	35206	25563	35204	33934	33471
FIAT	AD20		8.500	10.000	1.872	25551	22751	22749	Not Req'd	33471	1.877	2.816	35199	35206	25563	35204	33934	33471
FIAT	AD4		5.313	4.875	0.978	200281	Not Req'd	Not Req'd	25505	32437	0.989	1.453	35199	32437	35202	35204	33934	32425
FIAT	AD5		6.313	5.875	1.175	25498	Not Req'd	Not Req'd	25504	22471	1.186	1.770	35199	33471	35202	35204	33934	32435
FIAT	AD6		6.688	6.750	1.372	25499	Not Req'd	Not Req'd	25502	22471	1.383	2.046	35199	35205	25562	35204	33934	33472
FIAT	AD7		6.688	6.750	1.372	25499	Not Req'd	Not Req'd	25502	22471	1.383	2.046	35199	35205	25562	35204	33934	33472
FIAT	AD7C		6.688	6.750	1.372	25499	Not Req'd	Not Req'd	25502	22471	1.383	2.046	35199	35205	25562	35204	33934	33472
FIAT	AD8		6.692	7.13	1.377	25499	Not Req'd	22779	25502	33472		2.05	35199	35205	25562	25546	33936	None
FIAT	AD9		6.688	6.750	1.372	25499	Not Req'd	Not Req'd	25502	22471	1.383	2.046	35199	35205	25562	35204	33934	33472

3/23/2016				MASTER PIN RMOVAL AND INSTALLATION							ALIGNING		BUSHING REMOVAL		BUSHING INSTALL		REAR		SPECIAL
MAKE	MODEL	COMMENTS	PITCH	PIN LENGTH	PIN DIA	FORCING PIN (A)	ALIGNING BUSHING (2)(B)		PILOT PIN ©	ALIGNING ADAPTOR (D)	BUSHING ID	BUSHING OD	BUSHING PUSHER (E)	BUSHING ADAPTER (F)	REAR BUSH ASSY PLATE (G)	BUSHING INSTALLER (H)	REAR FORCING PIN (J)	SPECIAL TOOLING	
							REMOVAL	INSTALL											
FIAT	B1		5.512	5.28	0.984	200281	Not Req'd	Not Req'd	25505	32435		1.452	35199	32437	35205	35204	33934	None	
FIAT	BD10		6.938	8.000	1.450	25500	22779	22779	Not Req'd	32437	1.462	2.284	35199	35205	25562	35204	33936	32437	
FIAT	BD10B		6.929	7.87	1.458	25500	Not Req'd	22779	Not Req'd	33472	N/A	2.287	35199	35205	25562	25546	33936	None	
FIAT	BD12		7.48	8.66	1.577	25547	22779	22777	Not Req'd	32437	N/A	2.366	35199	22769	25562	25546	33936	None	
FIAT	BD14		7.48	8.66	1.577	25547	22779	22777	Not Req'd	32437	N/A	2.366	35199	22769	25562	25546	33936	None	
FIAT	BD14B		7.48	8.66	1.577	25547	22779	22777	Not Req'd	32437	N/A	2.364	35199	22769	25562	25546	33936	None	
FIAT	BD18		8.500	10.000	1.872	25551	22751	22749	Not Req'd	33471	1.877	2.816	35199	35206	25563	35204	33934	33471	
FIAT	BD20		8.500	10.000	1.872	25551	22751	22749	Not Req'd	33471	1.877	2.816	35199	35206	25563	35204	33934	33471	
FIAT	BD7		6.692	7.01	1.377	25499	Not Req'd	22779	25502	33472	N/A	2.043	35199	35205	25562	25546	33936	None	
FIAT	BD7C		6.688	6.750	1.372	25499	Not Req'd	Not Req'd	25502	22471	1.383	2.046	35199	35205	25562	35204	33934	33472	
FIAT	BD8		6.692	7.13	1.377	25499	Not Req'd	22779	25502	33472	N/A	2.05	35199	35205	25562	25546	33936	None	
FIAT	BD9		6.692	7.01	1.377	25499	Not Req'd	22779	25502	33472	N/A	2.043	35199	35205	25562	25546	33936	None	
FIAT	DH-20		9.000	11.625	1.871	25551	22751	22749	Not Req'd	33471	1.885	2.881	32434	22771	25563	25546	33934	None	
FIAT	EX200		6.906	8.346	1.442	25500	Not Req'd	22779	Not Req'd	33472	N/A	2.303	35199	35205	25562	25546	33936	None	
FIAT	EX400		8.5	10	1.875	25551	22751	22749	Not Req'd	32441	N/A	2.81	35199	22787	25563	35204	33934	None	
FIAT	FA200		7.48	8.66	1.577	25547	22779	22777	Not Req'd	32437	N/A	2.364	35199	22769	25562	25546	33936	None	
FIAT	FD14		7.48	8.66	1.577	25547	22779	22777	Not Req'd	32437	N/A	2.364	35199	22769	25562	25546	33936	None	
FIAT	FD14D		7.48	8.66	1.577	25547	22779	22777	Not Req'd	32437	N/A	2.364	35199	22769	25562	25546	33936	None	
FIAT	FD14E		7.48	8.66	1.577	25547	22779	22777	Not Req'd	32437	N/A	CHECK	32437	35205	35204	33936	None		
FIAT	FD20	SALT	8.503	9.9	1.88	25551	22751	22749	Not Req'd	32441	N/A	2.811	32434	22787	25563	35204	33934	None	
FIAT	FD20	Unsealed	8.503	9.84	1.873	25551	22751	22749	Not Req'd	32441	N/A	2.819	35199	22787	25563	35204	33934	None	
FIAT	FD30		9.000	11.625	2.031	25501	22749	Not Req'd	Not Req'd	33471	N/A	N/A	32434	Not Req'd	N/A	25546	33934	None	
FIAT	FD30	SALT	9.035	11.65	2.036	25501	Not Req'd	Not Req'd	Not Req'd	33474	N/A	3.194	32434	22771	25561	25546	33934	None	
FIAT	FD40		11.25	12.95	2.373	25553	Not Req'd	Not Req'd	Not Req'd	Not Req'd	N/A	3.88	32434	Not Req'd	25561	25546	33934	None	
FIAT	FD40B		11.25	12.95	2.373	25553	Not Req'd	Not Req'd	Not Req'd	Not Req'd	N/A	3.876	32434	Not Req'd	25561	25546	33934	None	
FIAT	FD5		6.299	6.42	1.26	25498	Not Req'd	Not Req'd	25502	32435	N/A	2.01	35199	35205	25562	25546	33934	None	
FIAT	FD5		6.299	6.46	1.142	200281	Not Req'd	Not Req'd	25504	32435	N/A	1.772	35199	33471	35202	EITHER	33934	None	
FIAT	FD50		11.281	14	2.622	25553	Not Req'd	Not Req'd	Not Req'd	Not Req'd	N/A	4.112	32434	Not Req'd	25561	25546	33934	None	
FIAT	FD7		6.299	6.42	1.26	25498	Not Req'd	Not Req'd	25502	32435	N/A	2.01	35199	35205	25562	25546	33934	None	
FIAT	FD7		6.299	6.46	1.142	200281	Not Req'd	Not Req'd	25504	32435	N/A	1.772	35199	33471	35205	EITHER	33934	None	
FIAT	FD9		6.692	7.17	1.382	25499	Not Req'd	22779	25502	33472	N/A	2.085	35199	35205	25562	25546	33936	None	
FIAT	FE16		6.692	7.165	1.377	25499	Not Req'd	22779	25502	33472	N/A	2.047	35199	35205	25562	25546	33936	None	
FIAT	FE18		6.692	7.165	1.377	25499	Not Req'd	22779	25502	33472	N/A	CHECK	32437	35205	35204	33936	None		
FIAT	FE20		6.692	7.165	1.377	25499	Not Req'd	22779	25502	33472	N/A	2.047	35199	35205	25562	25546	33936	None	
FIAT	FE20LC		6.692	7.165	1.377	25499	Not Req'd	22779	25502	33472	N/A	2.047	35199	35205	25562	25546	33936	None	
FIAT	FE8LC		6.692	7.165	1.377	25499	Not Req'd	22779	25502	33472	N/A	2.047	35199	35205	25562	25546	33936	None	
FIAT	FH120		6.692	7.165	1.377	25499	Not Req'd	22779	25502	33472	N/A	2.047	35199	35205	25562	25546	33936	None	

3/23/2016				MASTER PIN RMOVAL AND INSTALLATION									BUSHING REMOVAL		BUSHING INSTALL			
MAKE	MODEL	COMMENTS	PITCH	PIN LENGTH	PIN DIA	FORCING PIN (A)	ALIGNING BUSHING (2)(B)		PILOT PIN ©	ALIGNING ADAPTOR (D)	BUSHING ID	BUSHING OD	BUSHING PUSHER (E)	BUSHING ADAPTER (F)	REAR BUSH ASSY PLATE (G)	BUSHING INSTALLER (H)	REAR FORCING PIN (J)	SPECIAL TOOLING
							REMOVAL	INSTALL										
FIAT	FH150		6.692	7.165	1.377	25499	Not Req'd	22779	25502	33472	N/A	2.047	35199	35205	25562	25546	33936	None
FIAT	FH150LC		6.692	7.165	1.377	25499	Not Req'd	22779	25502	33472	N/A	2.047	35199	35205	25562	25546	33936	None
FIAT	FH200		6.929	8.031	1.458	25500	Not Req'd	22779	Not Req'd	33472	N/A	2.284	35199	35205	25562	25546	33936	None
FIAT	FH200LC		6.929	8.031	1.458	25500	Not Req'd	22779	Not Req'd	33472	N/A	2.284	35199	35205	25562	25546	33936	None
FIAT	FL10		6.938	8.000	1.450	25500	22779	22779	Not Req'd	32437	1.462	2.284	35199	35205	25562	35204	33936	32437
FIAT	FL12		7.48	8.66	1.577	25547	22779	22777	Not Req'd	32437	N/A	2.366	35199	22769	25562	25546	33936	None
FIAT	FL14		7.48	8.66	1.577	25547	22779	22777	Not Req'd	32437	N/A	2.366	35199	22769	25562	25546	33936	None
FIAT	FL14B		7.48	8.66	1.577	25547	22779	22777	Not Req'd	32437	N/A	2.366	35199	22769	25562	25546	33936	None
FIAT	FL14C		7.48	8.66	1.577	25547	22779	22777	Not Req'd	32437	N/A	2.366	35199	22769	25562	25546	33936	None
FIAT	FL20	SALT	8.503	9.9	1.88	25551	22751	22749	Not Req'd	32441	N/A	2.811	32434	22787	25563	35204	33934	None
FIAT	FL20	Unsealed	8.503	9.84	1.873	25551	22751	22749	Not Req'd	32441	N/A	2.819	35199	22787	25563	35204	33934	None
FIAT	FL4C		5.313	4.875	0.978	200281	Not Req'd	Not Req'd	25505	32437	0.989	1.453	35199	32437	35202	35204	33934	32425
FIAT	FL4D		5.512	5.28	0.984	200281	Not Req'd	Not Req'd	25505	32435	N/A	1.452	35199	32437	35202	35204	33934	None
FIAT	FL4L		5.512	5.28	0.984	200281	Not Req'd	Not Req'd	25505	32435	N/A	1.452	35199	32437	35202	35204	33934	None
FIAT	FL5	SALT	6.299	6.42	1.26	25498	Not Req'd	Not Req'd	25502	32435	N/A	2.01	35199	35205	25562	25546	33934	None
FIAT	FL5	Unsealed	6.299	6.46	1.142	200281	Not Req'd	Not Req'd	25504	32435	N/A	1.772	35199	33471	35202	EITHER	33934	None
FIAT	FL5B	SALT	6.299	6.42	1.26	25498	Not Req'd	Not Req'd	25502	32435	N/A	2.01	35199	35205	25562	25546	33934	None
FIAT	FL6		6.299	6.1	1.181	25498	Not Req'd	Not Req'd	25504	32435	N/A	1.767	35199	33471	35202	EITHER	33934	None
FIAT	FL6		6.313	5.875	1.175	25498	Not Req'd	Not Req'd	25504	22471	1.186	1.770	35199	33471	35202	35204	33934	32435
FIAT	FL7		6.688	6.750	1.372	25499	Not Req'd	Not Req'd	25502	22471	1.383	2.046	35199	35205	25562	35204	33934	33472
FIAT	FL7		6.692	7.01	1.377	25499	Not Req'd	22779	25502	33472	N/A	2.043	35199	35205	25562	25546	33936	None
FIAT	FL7/B		6.299	6.42	1.26	25498	Not Req'd	Not Req'd	25502	32435	N/A	2.01	35199	35205	25562	25546	33934	None
FIAT	FL8		6.688	6.750	1.372	25499	Not Req'd	Not Req'd	25502	22471	1.383	2.046	35199	35205	25562	35204	33934	33472
FIAT	FL8C		6.692	7.01	1.377	25499	Not Req'd	22779	25502	33472	N/A	2.043	35199	35205	25562	25546	33936	None
FIAT	FL9		6.692	7.13	1.377	25499	Not Req'd	22779	25502	33472	N/A	2.05	35199	35205	25562	25546	33936	None
FIAT	FP120		11.25	12.95	2.373	25553	Not Req'd	Not Req'd	Not Req'd	Not Req'd	N/A	3.876	32434	Not Req'd	25561	25546	33934	None
FIAT	H3		6	5.84	1.253	25498	Not Req'd	Not Req'd	25502	32435	N/A	1.75	35199	33471	35202	EITHER	33934	None
FIAT	H4		6	5.84	1.253	25498	Not Req'd	Not Req'd	25502	32435	N/A	1.75	35199	33471	35202	EITHER	33934	None
FIAT	HD10		7.85	8.37	1.753	25548	22777	22751	Not Req'd	32441	N/A	2.5	35199	22769	25562	25546	33936	None
FIAT	HD11		7	8.14	1.562	25547	22779	22777	Not Req'd	32437	N/A	2.315	35199	35205	25562	25546	33936	None
FIAT	HD11/B		7	8.4	1.622	25547	22779	22751	Not Req'd	32437	N/A	2.5	35199	22769	25562	25546	33936	None
FIAT	HD-115		7.000	8.375	1.619	25547	22779	22777	Not Req'd	32437	1.631	2.500	35199	22769	N/A	N/A	33936	None
FIAT	HD-11B		7.000	8.375	1.619	25547	22779	22777	Not Req'd	32437	1.631	2.500	35199	22769	N/A	N/A	33936	None
FIAT	HD11E		7	8.14	1.562	25547	22779	22777	Not Req'd	32437	N/A	2.315	35199	35205	25562	25546	33936	None
FIAT	HD-11E		7.000	8.375	1.619	25547	22779	22777	Not Req'd	32437	1.631	2.500	35199	22769	N/A	N/A	33936	None
FIAT	HD-11EC		7.000	8.375	1.619	25547	22779	22777	Not Req'd	32437	1.631	2.500	35199	22769	N/A	N/A	33936	None
FIAT	HD-11EP		7.000	8.375	1.619	25547	22779	22777	Not Req'd	32437	1.631	2.500	35199	22769	N/A	N/A	33936	None

3/23/2016				MASTER PIN RMOVAL AND INSTALLATION									BUSHING REMOVAL		BUSHING INSTALL			
MAKE	MODEL	COMMENTS	PITCH	PIN LENGTH	PIN DIA	FORCING PIN (A)	ALIGNING BUSHING (2)(B)		PILOT PIN ©	ALIGNING ADAPTOR (D)	BUSHING ID	BUSHING OD	BUSHING PUSHER (E)	BUSHING ADAPTER (F)	REAR BUSH ASSY PLATE (G)	BUSHING INSTALLER (H)	REAR FORCING PIN (J)	SPECIAL TOOLING
							REMOVAL	INSTALL										
FIAT	HD11G		7	8.14	1.562	25547	22779	22777	Not Req'd	32437	N/A	2.315	35199	35205	25562	25546	33936	None
FIAT	HD-11G		7.000	8.125	1.558	25547	22779	22777	Not Req'd	32437	1.572	2.313	35199	35205	N/A	N/A	33936	None
FIAT	HD-11GC		7.000	8.125	1.558	25547	22779	22777	Not Req'd	32437	1.572	2.313	35199	35205	N/A	N/A	33936	None
FIAT	HD12G		7.875	10.250	1.871	25551	22751	22749	Not Req'd	33471	1.885	2.881	32434	22771	25563	25546	33934	None
FIAT	HD14		7.85	9.67	1.878	25551	22751	22749	Not Req'd	32441	N/A	2.75	32434	35206	25563	35204	33934	None
FIAT	HD15		7.85	9.33	1.751	25548	22777	22751	Not Req'd	32441	N/A	2.623	35199	22769	25562	35204	33934	None
FIAT	HD-15		7.875	9.313	1.746	25548	22777	22751	Not Req'd	33471	1.775	2.624	32434	22769	25562	25546	33934	None
FIAT	HD-16	NO SEALS	7.875	9.313	1.746	25548	22777	22751	Not Req'd	33471	1.775	2.624	32434	22769	25562	25546	33934	None
FIAT	HD-16		7.875	10.250	1.871	25551	22751	22749	Not Req'd	33471	1.885	2.881	32434	22771	25563	25546	33934	None
FIAT	HD16	Sealed	7.85	10.27	1.876	25551	22751	22749	Not Req'd	32441	N/A	2.879	32434	22787	25563	35204	33934	None
FIAT	HD16	Unsealed	7.85	9.33	1.751	25548	22777	22751	Not Req'd	32441	N/A	2.623	35199	22769	25562	35204	33934	None
FIAT	HD16B		7.85	10.27	1.876	25551	22751	22749	Not Req'd	32441	N/A	2.875	32434	22787	25563	35204	33934	None
FIAT	HD16B		7.875	10.250	1.871	25551	22751	22749	Not Req'd	33471	1.885	2.881	32434	22771	25563	25546	33934	None
FIAT	HD-16D		7.875	10.250	1.871	25551	22751	22749	Not Req'd	33471	1.885	2.881	32434	22771	25563	25546	33934	None
FIAT	HD-16DC		7.875	10.250	1.871	25551	22751	22749	Not Req'd	33471	1.885	2.881	32434	22771	25563	25546	33934	None
FIAT	HD-16DD		7.875	10.250	1.871	25551	22751	22749	Not Req'd	33471	1.885	2.881	32434	22771	25563	25546	33934	None
FIAT	HD19		9	11.66	1.876	25551	22751	22749	Not Req'd	32441	N/A	2.879	32434	22787	25563	35204	33934	None
FIAT	HD-19		9.000	11.625	1.871	25551	22751	22749	Not Req'd	33471	1.885	2.881	32434	22771	25563	25546	33934	None
FIAT	HD20		9	11.66	1.876	25551	22751	22749	Not Req'd	32441	N/A	2.879	32434	22787	25563	35204	33934	None
FIAT	HD21		9	11.66	1.876	25551	22751	22749	Not Req'd	32441	N/A	2.879	32434	22787	25563	35204	33934	None
FIAT	HD-21	OLD	9.000	11.625	1.871	25551	22751	22749	Not Req'd	33471	1.885	2.881	32434	22771	25563	35204	33934	None
FIAT	HD-21b	NEW	9.000	11.625	1.871	25551	22751	22749	Not Req'd	33471	1.900	3.040	32434	22771	25561	25546	33934	None
FIAT	HD21B		9	11.66	1.876	25551	22751	22749	Not Req'd	32441	N/A	3.044	32434	22771	25561	25546	33934	None
FIAT	HD21C		9.035	11.66	2.036	25501	Not Req'd	Not Req'd	Not Req'd	33474	N/A	3.194	32434	22771	25561	25546	33934	None
FIAT	HD21P		9	11.66	1.876	25551	22751	22749	Not Req'd	32441	N/A	2.875	32434	22787	25563	35204	33934	None
FIAT	HD3		6	5.84	1.253	25498	Not Req'd	Not Req'd	25502	32435	N/A	1.75	35199	33471	35205	EITHER	33934	None
FIAT	HD31	SALT	11.25	12.95	2.373	25553	Not Req'd	Not Req'd	Not Req'd	Not Req'd	N/A	3.876	32434	Not Req'd	25561	25546	33934	None
FIAT	HD31	Unsealed	11.25	12.95	2.373	25553	Not Req'd	Not Req'd	Not Req'd	Not Req'd	N/A	3.88	32434	Not Req'd	25561	25546	33934	None
FIAT	HD-4		6.000	6.500	1.246	25498	Not Req'd	Not Req'd	25504	32435	1.275	1.877	35199	33471	N/A	EITHER	33934	None
FIAT	HD4		6	6.24	1.25	25498	Not Req'd	Not Req'd	25502	32435	N/A	1.875	35199	33471	35202	EITHER	33934	None
FIAT	HD41	Sealed	11.25	12.95	2.373	25553	Not Req'd	Not Req'd	Not Req'd	Not Req'd	N/A	3.876	32434	Not Req'd	25561	25546	33934	None
FIAT	HD41	Unsealed	11.25	12.95	2.373	25553	Not Req'd	Not Req'd	Not Req'd	Not Req'd	N/A	3.88	32434	Not Req'd	25561	25546	33934	None
FIAT	HD41B		11.25	14	2.623	25553	Not Req'd	Not Req'd	Not Req'd	Not Req'd	N/A	3.998	32434	Not Req'd	25561	25546	33934	None
FIAT	HD5		7.85	8.37	1.753	25548	22777	22751	Not Req'd	32441	N/A	2.5	35199	22769	25562	25546	33936	None
FIAT	HD-5		6.500	6.875	1.379	25499	Not Req'd	22779	25502	33472	1.400	2.000	35199	35205	N/A	25546	33934	None
FIAT	HD5		6.5	6.91	1.376	25499	Not Req'd	22779	25502	33472	N/A	2.005	35199	35205	25562	25546	33934	None
FIAT	HD50		11.25	14	2.623	25553	Not Req'd	Not Req'd	Not Req'd	Not Req'd	N/A	3.998	32434	Not Req'd	25561	25546	33934	None

3/23/2016				MASTER PIN RMOVAL AND INSTALLATION									BUSHING REMOVAL		BUSHING INSTALL			
MAKE	MODEL	COMMENTS	PITCH	PIN LENGTH	PIN DIA	FORCING PIN (A)	ALIGNING BUSHING (2)(B)		PILOT PIN ©	ALIGNING ADAPTOR (D)	BUSHING ID	BUSHING OD	BUSHING PUSHER (E)	BUSHING ADAPTER (F)	REAR BUSH ASSY PLATE (G)	BUSHING INSTALLER (H)	REAR FORCING PIN (J)	SPECIAL TOOLING
							REMOVAL	INSTALL										
FIAT	HD50		11.25	14	2.622	25553	Not Req'd	Not Req'd	Not Req'd	Not Req'd	N/A	4.112	32434	Not Req'd	25561	25546	33934	None
FIAT	HD6		6.5	6.91	1.376	25499	Not Req'd	22779	25502	33472	N/A	2.005	35199	35205	25562	25546	33934	None
FIAT	HD-6		6.500	6.875	1.379	25499	Not Req'd	22779	25502	33472	1.400	2.000	35199	35205	N/A	25546	33934	None
FIAT	HD-6A		6.500	6.875	1.379	25499	Not Req'd	22779	25502	33472	1.400	2.000	35199	35205	N/A	25546	33934	None
FIAT	HD-6B		6.500	6.875	1.379	25499	Not Req'd	22779	25502	33472	1.400	2.000	35199	35205	N/A	25546	33934	None
FIAT	HD-6E		6.500	6.875	1.379	25499	Not Req'd	22779	25502	33472	1.400	2.000	35199	35205	N/A	25546	33934	None
FIAT	HD-6EP		6.500	6.875	1.379	25499	Not Req'd	22779	25502	33472	1.400	2.000	35199	35205	N/A	25546	33934	None
FIAT	HD-6G		6.500	6.875	1.379	25499	Not Req'd	22779	25502	33472	1.400	2.000	35199	35205	N/A	25546	33934	None
FIAT	HD7		6.5	7.51	1.736	25548	22777	22751	Not Req'd	32441	N/A	2	35199	35205	25562	25546	33936	None
FIAT	HD7		6.5	8.14	1.563	25547	22779	22777	Not Req'd	32437	N/A	2.315	35199	35205	25562	25546	33936	None
FIAT	HD7G		7	8.14	1.562	25547	22779	22777	Not Req'd	32437	N/A	2.331	35199	22769	25562	25546	33936	None
FIAT	HD-7GB		7.000	8.125	1.558	25547	22779	22777	Not Req'd	32437	1.572	2.313	35199	35205	N/A	25546	33936	None
FIAT	HD7G-B		7	8.14	1.562	25547	22779	22777	Not Req'd	32437	N/A	2.315	35199	35205	25562	25546	33936	None
FIAT	HD9		7	8.14	1.562	25547	22779	22777	Not Req'd	32437	N/A	2.315	35199	35205	25562	25546	33936	None
FIAT	HD-9		7.000	8.125	1.558	25547	22779	22777	Not Req'd	32437	1.572	2.313	35199	35205	N/A	25546	33936	None
FIAT	K		6.5	7.51	1.736	25548	22777	22751	Not Req'd	32441	N/A	2	35199	35205	25562	25546	33936	None
FIAT	KO		6.5	7.51	1.736	25548	22777	22751	Not Req'd	32441	N/A	2	35199	35205	25562	25546	33936	None
FIAT	S11		6.692	7.165	1.377	25499	Not Req'd	22779	25502	33472	N/A	2.047	35199	35205	25562	25546	33936	None
FIAT	S9		6.692	7.165	1.377	25499	Not Req'd	22779	25502	33472	N/A	2.047	35199	35205	25562	25546	33936	None
FIAT	SL11		6.692	7.165	1.377	25499	Not Req'd	22779	25502	33472	N/A	2.047	35199	35205	25562	25546	33936	None
FIAT	SL9		6.692	7.165	1.377	25499	Not Req'd	22779	25502	33472	N/A	2.047	35199	35205	25562	25546	33936	None
FIAT	UH801		12.5	14.37	2.756	25553	Not Req'd	Not Req'd	Not Req'd	Not Req'd	N/A	4.252	32434	Not Req'd	25561	25546	33934	None
FOWLER	33 Challenger		8.000	10.625	1.750	25548	22777	22751	Not Req'd	33471	1.775	2.629	32434	22769	25562	25546	33934	None
FOWLER	33 Marshall		8.000	9.750	1.751	25548	22777	22751	Not Req'd	33471	1.750	2.625	32434	22769	25562	25546	33934	None
FOWLER	75 Marshall	NO COUPLING	6.750	8.250	1.308	25499	Not Req'd	Not Req'd	25502	33472	1.306	2.000	35199	N/A	N/A	25546	33936	None
HANOMAG	K-15		8.000	10.250	1.740	25548	22777	22751	Not Req'd	33471	1.775	2.621	32434	22769	22562	25546	33934	None
HITACHI	EX100		6.736	7.283	1.315	25499	Not Req'd	Not Req'd	25502	22471	N/A	1.315	35199	32437	35205	35204	33936	None
HITACHI	EX1100		10.25	12.578	2.29	25553	Not Req'd	Not Req'd	Not Req'd	33474	N/A	3.54	32434	31658	25561	25546	33934	None
HITACHI	EX120		6.736	7.283	1.315	25499	Not Req'd	Not Req'd	25502	22471	N/A	1.991	35199	35205	35205	25546	33936	None
HITACHI	EX1200-5		10.25	12.578	2.29	25553	Not Req'd	Not Req'd	Not Req'd	33474	N/A	3.54	32434	31658	25561	25546	33934	None
HITACHI	EX90		6.736	7.283	1.315	25499	Not Req'd	Not Req'd	25502	22471	N/A	1.991	35199	35205	35202	25546	33936	None
INTERTRAC	150	LDR	6.500	6.688	1.367	25499	Not Req'd	Not Req'd	25502	33472	1.385	2.051	35199	35205	N/A	25546	33934	None
INTERTRAC	175	LDR	7.000	7.875	1.617	25547	22779	22777	Not Req'd	32437	1.636	2.364	35199	22769	N/A	25546	33936	None
INTERTRAC	100C		6.000	6.500	1.243	25498	Not Req'd	Not Req'd	25504	32435	1.259	1.801	35199	33471	N/A	EITHER	33934	None
INTERTRAC	100E	LDR	6.000	6.500	1.243	25498	Not Req'd	Not Req'd	25504	32435	1.259	1.801	35199	33471	N/A	EITHER	33934	None
INTERTRAC	125C	LDR	6.500	6.688	1.367	25499	Not Req'd	Not Req'd	25502	33472	1.385	2.051	35199	35205	N/A	25546	33934	None
INTERTRAC	125E	LDR	6.500	6.688	1.367	25499	Not Req'd	Not Req'd	25502	33472	1.385	2.051	35199	35205	N/A	25546	33934	None

3/23/2016				MASTER PIN RMOVAL AND INSTALLATION									BUSHING REMOVAL		BUSHING INSTALL			
MAKE	MODEL	COMMENTS	PITCH	PIN LENGTH	PIN DIA	FORCING PIN (A)	ALIGNING BUSHING (2)(B)		PILOT PIN ©	ALIGNING ADAPTOR (D)	BUSHING ID	BUSHING OD	BUSHING PUSHER (E)	BUSHING ADAPTER (F)	REAR BUSH ASSY PLATE (G)	BUSHING INSTALLER (H)	REAR FORCING PIN (J)	SPECIAL TOOLING
							REMOVAL	INSTALL										
INTERTRAC	175B		7.500	8.688	1.742	25548	22777	22751	Not Req'd	33471	1.760	2.614	32434	22769	25562	25546	33936	None
INTERTRAC	175C		7.500	8.688	1.742	25548	22777	22751	Not Req'd	33471	1.760	2.614	32434	22769	25562	25546	33936	None
INTERTRAC	250-B	LDR	7.500	8.688	1.742	25548	22777	22751	Not Req'd	33471	1.760	2.614	32434	22769	25562	25546	33936	None
INTERTRAC	250-C		8.500	11.000	1.865	25551	22751	22749	Not Req'd	33471	1.894	2.864	32434	22787	25563	25546	33934	None
INTERTRAC	TD-14		7.000	7.875	1.485	25500	22779	22779	Not Req'd	32437	1.510	2.239	35199	35205	N/A	25546	33936	None
INTERTRAC	TD-14A		7.000	7.875	1.485	25500	22779	22779	Not Req'd	32437	1.510	2.239	35199	35205	N/A	25546	33936	None
INTERTRAC	TD-14B		7.000	7.875	1.485	25500	22779	22779	Not Req'd	32437	1.510	2.239	35199	35205	N/A	25546	33936	None
INTERTRAC	TD-15	OLD	7.000	7.875	1.485	25500	22779	22779	Not Req'd	32437	1.510	2.239	35199	35205	N/A	25546	33936	None
INTERTRAC	TD-15	NEW	7.000	7.875	1.617	25547	22779	22777	Not Req'd	32437	1.636	2.364	35199	22769	N/A	25546	33936	None
INTERTRAC	TD15B		7.000	7.875	1.617	25547	22779	22777	Not Req'd	32437	1.636	2.364	35199	22769	N/A	25546	33936	None
INTERTRAC	TD-15B		7.500	8.688	1.742	25548	22777	22751	Not Req'd	33471	1.760	2.614	32434	22769	25562	25546	33936	None
INTERTRAC	TD-15C		7.500	8.688	1.742	25548	22777	22751	Not Req'd	33471	1.760	2.614	32434	22769	25562	25546	33936	None
INTERTRAC	TD-18		7.500	9.813	1.735	25548	22777	22751	Not Req'd	33471	1.760	2.489	32434	22769	25562	25546	33934	None
INTERTRAC	TD-20		7.500	9.813	1.735	25548	22777	22751	Not Req'd	33471	1.760	2.489	32434	22769	25562	25546	33934	None
INTERTRAC	TD20-B		7.500	8.688	1.742	25548	22777	22751	Not Req'd	33471	1.760	2.614	32434	22769	25562	25546	33936	None
INTERTRAC	TD-20C		8.500	11.000	1.865	25551	22751	22749	Not Req'd	33471	1.894	2.864	32434	22787	25563	25546	33934	None
INTERTRAC	TD-20E		8.500	11.000	1.865	25551	22751	22749	Not Req'd	33471	1.894	2.864	32434	22787	25563	25546	33934	None
INTERTRAC	TD-24		8.500	11.000	1.865	25551	22751	22749	Not Req'd	33471	1.894	2.864	32434	22787	25563	25546	33934	None
INTERTRAC	TD-25	OLD	8.500	11.000	1.865	25551	22751	22749	Not Req'd	33471	1.894	2.864	32434	22787	25563	25546	33934	None
INTERTRAC	TD-25B		8.500	11.000	1.865	25551	22751	22749	Not Req'd	33471	1.894	2.864	32434	22787	25563	25546	33934	None
INTERTRAC	TD-25B	NEW	9.875	11.000	2.115	25501	22749	Not Req'd	Not Req'd	32441	2.144	3.239	32434	22789	25561	25546	33934	None
INTERTRAC	TD25C		9.875	11.000	2.115	25501	22749	Not Req'd	Not Req'd	32441	2.144	3.239	32434	22789	25561	25546	33934	None
INTERTRAC	TD-30		9.875	11.000	2.115	25501	22749	Not Req'd	Not Req'd	32441	2.144	3.239	32434	22789	25561	25546	33934	None
INTERTRAC	TD-6		6.000	6.500	1.243	25498	Not Req'd	Not Req'd	25504	32435	1.259	1.801	35199	33471	N/A	EITHER	33934	None
INTERTRAC	TD-7C		6.000	6.500	1.243	25498	Not Req'd	Not Req'd	25504	32435	1.259	1.801	35199	33471	N/A	EITHER	33934	None
INTERTRAC	TD-7E		6.000	6.500	1.243	25498	Not Req'd	Not Req'd	25504	32435	1.259	1.801	35199	33471	N/A	EITHER	33934	None
INTERTRAC	TD-8C		6.500	6.688	1.367	25499	Not Req'd	Not Req'd	25502	33472	1.385	2.051	35199	35205	N/A	25546	33934	None
INTERTRAC	TD-8E		6.500	6.688	1.367	25499	Not Req'd	Not Req'd	25502	33472	1.385	2.051	35199	35205	N/A	25546	33934	None
INTERTRAC	TD9		6.500	6.688	1.367	25499	Not Req'd	Not Req'd	25502	33472	1.385	2.051	35199	35205	N/A	25546	33934	None
INTERTRAC	TD9-B		6.500	6.688	1.367	25499	Not Req'd	Not Req'd	25502	33472	1.385	2.051	35199	35205	N/A	25546	33934	None
JOHN DEERE	120C		6.750	7.008	1.319	25499	Not Req'd	Not Req'd	25502	22471	N/A	1.984	35199	35205	35205	EITHER	33936	None
JOHN DEERE	230		7.48	8.366	1.493	25500	Not Req'd	22779	Not Req'd	32437	N/A	2.322	35199	35205	25562	25546	33936	None
JOHN DEERE	270CLC		8.500	9.520	1.760	25548	Not Req'd	22751	Not Req'd	32441	N/A	2.630	35199	22769	25562	35204	33934	None
JOHN DEERE	270LC		8	9.646	1.75	25548	Not Req'd	22751	Not Req'd	32441	N/A	2.618	35199	22769	25562	25546	33934	None
JOHN DEERE	350B		5.749	5.470	1.192	25498	Not Req'd	Not Req'd	25504	32435	N/A	1.752	35199	33471	35205	EITHER	33934	None
JOHN DEERE	350C		5.7485	5.47	1.192	25498	Not Req'd	Not Req'd	25504	32435	N/A	1.752	35199	33471	35205	EITHER	33934	None
JOHN DEERE	350D		5.749	5.380	1.192	25498	Not Req'd	Not Req'd	25504	32435	N/A	1.752	35199	33471	35205	EITHER	33934	None

3/23/2016				MASTER PIN RMOVAL AND INSTALLATION									BUSHING REMOVAL		BUSHING INSTALL			
MAKE	MODEL	COMMENTS	PITCH	PIN LENGTH	PIN DIA	FORCING PIN (A)	ALIGNING BUSHING (2)(B)		PILOT PIN ©	ALIGNING ADAPTOR (D)	BUSHING ID	BUSHING OD	BUSHING PUSHER (E)	BUSHING ADAPTER (F)	REAR BUSH ASSY PLATE (G)	BUSHING INSTALLER (H)	REAR FORCING PIN (J)	SPECIAL TOOLING
							REMOVAL	INSTALL										
JOHN DEERE	450LC		8.5	10	1.873	25551	Not Req'd	22749	Not Req'd	32441	N/A	2.809	35199	22787	25563	35204	33934	None
JOHN DEERE	200LC		8.366	7.480	1.493	25500	Not Req'd	22779	Not Req'd	32437	N/A	2.322	35199	35205	25562	25546	33936	None
JOHN DEERE	291		6.125	6.456	1.181	25498	Not Req'd	Not Req'd	25504	32435	N/A	1.85	35199	33471	35205	EITHER	33934	None
JOHN DEERE	350		5.750	5.380	1.186	25498	Not Req'd	Not Req'd	25504	32435	1.190	1.750	35199	33471	N/A	EITHER	33934	None
JOHN DEERE	370		8.5	10	1.873	25551	22751	22749	Not Req'd	32441	N/A	2.809	35199	22787	25563	35204	33934	None
JOHN DEERE	440		5.75	5.47	1	200281	Not Req'd	Not Req'd	25505	32435	N/A	1.56	35199	32437	35205	35204	33934	None
JOHN DEERE	450		6.290	6.100	1.374	25499	Not Req'd	Not Req'd	25502	33472	1.387	2.128	35199	35205	N/A	25546	33934	None
JOHN DEERE	455		6.290	6.100	1.374	25499	Not Req'd	Not Req'd	25502	33472	1.387	2.128	35199	35205	N/A	25546	33934	None
JOHN DEERE	490		6.734	6.97	1.317	25499	Not Req'd	Not Req'd	25502	22471	N/A	1.99	35199	35205	35205	25546	33934	None
JOHN DEERE	550		6.290	6.100	1.374	25499	Not Req'd	Not Req'd	25502	33472	1.387	2.128	35199	35205	N/A	25546	33934	None
JOHN DEERE	555		6.290	6.100	1.374	25499	Not Req'd	Not Req'd	25502	33472	1.387	2.128	35199	35205	N/A	25546	33934	None
JOHN DEERE	590		6.75	7.598	1.366	25499	Not Req'd	Not Req'd	25502	22471	N/A	2.116	35199	35205	25562	25546	33936	None
JOHN DEERE	650		6.290	6.100	1.374	25499	Not Req'd	Not Req'd	25502	33472	1.387	2.128	35199	35205	N/A	25546	33934	None
JOHN DEERE	655		6.909	8.11	1.44	25500	Not Req'd	22779	Not Req'd	33472	N/A	2.314	35199	35205	25562	25546	33936	None
JOHN DEERE	690		6.734	7.000	1.314	25499	Not Req'd	Not Req'd	25502	33472	1.327	1.993	35199	35205	N/A	25546	33936	None
JOHN DEERE	750		6.909	6.150	1.437	25500	22779	22779	Not Req'd	33472	1.449	2.316	35199	35205	N/A	25546	33934	None
JOHN DEERE	755		6.909	6.150	1.437	25500	22779	22779	Not Req'd	33472	1.449	2.316	35199	35205	N/A	25546	33934	None
JOHN DEERE	790		7.480	8.583	1.496	25500	22779	22779	Not Req'd	32437	1.512	2.323	35199	35205	N/A	25546	33936	None
JOHN DEERE	792		8.000	9.646	1.750	25548	22777	22751	Not Req'd	33471	1.765	2.624	35199	22769	N/A	35204	33934	None
JOHN DEERE	850		7.988	8.976	1.748	25548	22777	22751	Not Req'd	33471	1.750	2.626	32434	22769	25562	25546	33936	None
JOHN DEERE	855		8.500	9.950	1.872	25551	22751	22749	Not Req'd	33471	1.897	2.813	32434	22787	25563	25546	33934	33471
JOHN DEERE	890		8.500	9.950	1.872	25551	22751	22749	Not Req'd	33471	1.897	2.813	32434	22787	25563	25546	33934	33471
JOHN DEERE	892		8.500	9.950	1.872	25551	22751	22749	Not Req'd	33471	1.897	2.813	32434	22787	25563	25546	33934	33471
JOHN DEERE	990		8.500	9.950	1.872	25551	22751	22749	Not Req'd	33471	1.897	2.813	32434	22787	25563	25546	33934	33471
JOHN DEERE	1280		6.9	8.11	1.439	25500	Not Req'd	22779	Not Req'd	33472	N/A	2.313	35199	35205	25562	25546	33936	None
JOHN DEERE	2010		5.75	5.47	1	200281	Not Req'd	Not Req'd	25505	32435	N/A	1.56	35199	32437	35202	35204	33934	None
JOHN DEERE	1050C		8.5	10.31	2	25551	22751	Not Req'd	Not Req'd	32441	N/A	3	32434	22787	25561	35204	33934	None
JOHN DEERE	1050J		8.5	10.31	2	25551	22751	Not Req'd	Not Req'd	32441	N/A	3	32434	22787	25561	35204	33934	None
JOHN DEERE	1150D		6.678	8.11	1.44	25500	Not Req'd	22779	Not Req'd	33472	N/A	2.314	35199	35205	25562	25546	33936	None
JOHN DEERE	1155D		6.678	8.11	1.44	25500	Not Req'd	22779	Not Req'd	33472	N/A	2.314	35199	35205	25562	25546	33936	None
JOHN DEERE	190E		6.063	6.102	1.19	25498	Not Req'd	Not Req'd	25504	32435	N/A	1.82	35199	33471	35202	EITHER	33934	None
JOHN DEERE	2010C		5.750	5.380	1.186	25498	Not Req'd	Not Req'd	25504	32435	1.190	1.750	35199	33471	N/A	EITHER	33934	None
JOHN DEERE	270CLC		8.5	9.52	1.76	25548	22777	22751	Not Req'd	32441	N/A	2.63	35199	22769	25562	35204	33934	None
JOHN DEERE	290D		6.125	6.456	1.181	25498	Not Req'd	Not Req'd	25504	32435	N/A	1.85	35199	33471	35202	EITHER	33934	None
JOHN DEERE	330CLC		8.5	9.52	1.76	25548	22777	22751	Not Req'd	32441	N/A	2.63	35199	22769	25562	35204	33934	None
JOHN DEERE	330LC		8.5	9.52	1.76	25548	22777	22751	Not Req'd	32441	N/A	2.63	35199	22769	25562	35204	33934	None
JOHN DEERE	350B		5.75	5.47	1.192	25498	Not Req'd	Not Req'd	25504	32435	N/A	1.752	35199	33471	35205	EITHER	33934	None

3/23/2016				MASTER PIN RMOVAL AND INSTALLATION									BUSHING REMOVAL		BUSHING INSTALL			
MAKE	MODEL	COMMENTS	PITCH	PIN LENGTH	PIN DIA	FORCING PIN (A)	ALIGNING BUSHING (2)(B)		PILOT PIN ©	ALIGNING ADAPTOR (D)	BUSHING ID	BUSHING OD	BUSHING PUSHER (E)	BUSHING ADAPTER (F)	REAR BUSH ASSY PLATE (G)	BUSHING INSTALLER (H)	REAR FORCING PIN (J)	SPECIAL TOOLING
							REMOVAL	INSTALL										
JOHN DEERE	350C		5.75	5.47	1.192	25498	Not Req'd	Not Req'd	25504	32435	N/A	1.752	35199	33471	35205	EITHER	33934	None
JOHN DEERE	350D		5.75	5.38	1.192	25498	Not Req'd	Not Req'd	25504	32435	N/A	1.752	35199	33471	35202	EITHER	33934	None
JOHN DEERE	400G		5.75	5.38	1.192	25498	Not Req'd	Not Req'd	25504	32435	N/A	1.752	35199	33471	35202	EITHER	33934	None
JOHN DEERE	420C		5.75	5.47	1	200281	Not Req'd	Not Req'd	25505	32435	N/A	1.561	35199	32437	35202	35204	33934	None
JOHN DEERE	450C		6.290	6.100	1.374	25499	Not Req'd	Not Req'd	25502	33472	1.387	2.128	35199	35205	N/A	25546	33934	None
JOHN DEERE	450C	Recessed	6.29	6.08	1.374	25499	Not Req'd	Not Req'd	25502	33472	N/A	2.008	35199	35205	25562	25546	33934	None
JOHN DEERE	450C	Sealed	6.29	6.2	1.374	25499	Not Req'd	Not Req'd	25502	33472	N/A	2.128	35199	35205	25562	25546	33934	None
JOHN DEERE	450D	Sealed	6.29	6.36	1.26	25498	Not Req'd	Not Req'd	25502	32435	N/A	2.008	35199	35205	25562	25546	33934	None
JOHN DEERE	450D	SALT	6.29	6.36	1.26	25498	Not Req'd	Not Req'd	25502	32435	N/A	2.008	35199	35205	25562	25546	33934	None
JOHN DEERE	450E	Sealed	6.29	6.36	1.26	25498	Not Req'd	Not Req'd	25502	32435	N/A	2.008	35199	35205	25562	25546	33934	None
JOHN DEERE	450G	Sealed	6.29	6.36	1.26	25498	Not Req'd	Not Req'd	25502	32435	N/A	2.008	35199	35205	25562	25546	33934	None
JOHN DEERE	450LC		8.5	10	1.873	25551	22751	22749	Not Req'd	32441	N/A	2.809	35199	22787	25563	35204	33934	None
JOHN DEERE	455G		6.29	6.36	1.26	25498	Not Req'd	Not Req'd	25502	32435	N/A	2.008	35199	35205	25562	25546	33934	None
JOHN DEERE	490D		6.75	7.01	1.318	25499	Not Req'd	Not Req'd	25502	22471	N/A	1.984	35199	35205	35202	EITHER	33936	None
JOHN DEERE	490E		6.73	6.7	1.33	25499	Not Req'd	Not Req'd	25502	22471	N/A	1.99	35199	35205	35202	25546	33934	None
JOHN DEERE	550A		6.29	6.36	1.26	25498	Not Req'd	Not Req'd	25502	32435	N/A	2.008	35199	35205	25562	25546	33934	None
JOHN DEERE	550G		6.29	6.36	1.26	25498	Not Req'd	Not Req'd	25502	32435	N/A	2.008	35199	35205	25562	25546	33934	None
JOHN DEERE	555A		6.29	6.36	1.26	25498	Not Req'd	Not Req'd	25502	32435	N/A		CHECK	32437	35202	35204	33934	None
JOHN DEERE	555G		6.734	7.22	1.318	25499	Not Req'd	Not Req'd	25502	22471	N/A	2.12	35199	35205	25562	25546	33936	None
JOHN DEERE	590D		6.75	7.598	1.378	25499	Not Req'd	22779	25502	33472	N/A	2.116	35199	35205	25562	25546	33936	None
JOHN DEERE	605C		6.730	7.165	1.259	25498	Not Req'd	Not Req'd	25502	32435	1.275	1.877	35199	33471	N/A	EITHER	33936	None
JOHN DEERE	650G		6.734	7.22	1.318	25499	Not Req'd	Not Req'd	25502	22471	N/A	2.119	35199	35205	25562	25546	33936	None
JOHN DEERE	650J		6.730	7.165	1.259	25498	Not Req'd	Not Req'd	25502	32435	1.275	1.877	35199	33471	N/A	EITHER	33936	None
JOHN DEERE	690A		6.734	6.97	1.317	25499	Not Req'd	Not Req'd	25502	22471	N/A	1.99	35199	35205	35202	25546	33934	None
JOHN DEERE	690B		6.734	6.97	1.317	25499	Not Req'd	Not Req'd	25502	22471	N/A	1.99	35199	35205	35202	25546	33934	None
JOHN DEERE	690C		6.734	6.97	1.317	25499	Not Req'd	Not Req'd	25502	22471	N/A	1.99	35199	35205	35202	25546	33934	None
JOHN DEERE	690D		6.734	6.97	1.317	25499	Not Req'd	Not Req'd	25502	22471	N/A	1.99	35199	35205	35202	25546	33934	None
JOHN DEERE	690E		7.48	8.15	1.437	25500	Not Req'd	22779	Not Req'd	33472	N/A	2.311	35199	35205	25562	25546	33936	None
JOHN DEERE	690E-LC		7.48	8.15	1.437	25500	Not Req'd	22779	Not Req'd	33472	N/A	2.311	35199	35205	25562	25546	33936	None
JOHN DEERE	693B		6.734	6.97	1.317	25499	Not Req'd	Not Req'd	25502	22471	N/A	1.99	35199	35205	35205	25546	33934	None
JOHN DEERE	693D		6.909	8.11	1.44	25500	Not Req'd	22779	Not Req'd	33472	N/A	1.99	35199	35205	35205	25546	33936	None
JOHN DEERE	700J			8.126	1.437	25500	22779	22779	Not Req'd	33472	1.458	2.283	35199	35205	25562	25546	33936	
JOHN DEERE	750/B		6.909	8.11	1.44	25500	22779	22779	Not Req'd	33472	N/A	2.314	35199	35205	25562	25546	33936	None
JOHN DEERE	750C		7.48	8.125	1.437	25500	22779	22779	Not Req'd	33472	N/A	2.402	35199	22769	25562	25546	33936	None
JOHN DEERE	755/B		6.909	8.11	1.44	25500	22779	22779	Not Req'd	33472	N/A	2.314	35199	35205	25562	25546	33936	None
JOHN DEERE	755A		8	9.06	1.753	25548	22777	22751	Not Req'd	32441	N/A	2.62	35199	22769	25562	25546	33934	None
JOHN DEERE	790D		7.48	8.58	1.496	25500	22779	22779	Not Req'd	32437	N/A	2.323	35199	35205	25562	25546	33936	None

3/23/2016				MASTER PIN RMOVAL AND INSTALLATION									BUSHING REMOVAL		BUSHING INSTALL				
MAKE	MODEL	COMMENTS	PITCH	PIN LENGTH	PIN DIA	FORCING PIN (A)	ALIGNING BUSHING (2)(B)		PILOT PIN ©	ALIGNING ADAPTOR (D)	BUSHING ID	BUSHING OD	BUSHING PUSHER (E)	BUSHING ADAPTER (F)	REAR BUSH ASSY PLATE (G)	BUSHING INSTALLER (H)	REAR FORCING PIN (J)	SPECIAL TOOLING	
							REMOVAL	INSTALL											
JOHN DEERE	790E		7.48	8.346	1.496	25500	22779	22779	Not Req'd	32437	N/A	2.322	35199	35205	25562	25546	33936	None	
JOHN DEERE	792/D		8	9.65	1.75	25548	22777	22751	Not Req'd	32441	N/A	2.618	35199	22769	25562	25546	33934	None	
JOHN DEERE	850B		7.984	9.06	1.753	25548	22777	22751	Not Req'd	32441	N/A	2.621	35199	22769	25562	35204	33934	None	
JOHN DEERE	850C		7.984	9.06	1.753	25548	22777	22751	Not Req'd	32441	N/A	2.621	35199	22769	25562	35204	33934	None	
JOHN DEERE	850D		10.250	12.125	2.245	25501	Not Req'd	Not Req'd	Not Req'd	33474	N/A	3.375	32434	31658	25561	25546	33934	None	
JOHN DEERE	850J		8	10.315	1.75	25548	22777	22751	Not Req'd	32441	N/A	2.756	35199	35206	25563	35204	33934	None	
JOHN DEERE	850K		8.000	10.315	1.750	25548	22777	22751	Not Req'd	32441	N/A	1.775	2.870	35199	22787	25563	35204	33934	None
JOHN DEERE	890A		8.5	9.882	1.881	25551	22751	22749	Not Req'd	32441	N/A	2.811	32434	22787	25563	35204	33934	None	
JOHN DEERE	892D		8.000	9.650	1.750	25548	22777	22751	Not Req'd	32441	N/A	2.618	35199	22769	25562	25546	33934	None	
JOHN DEERE	892E		8	9.65	1.75	25548	22777	22751	Not Req'd	32441	N/A	2.618	35199	22769	25562	25546	33934	None	
JOHN DEERE	950J		8.500	10.860	1.870	25551	22751	22749	Not Req'd	32441	N/A	3.090	35199	22771	25561	25546	33934	None	
JOHN DEERE	992D		8.5	10	1.873	25551	22751	22749	Not Req'd	32441	N/A	2.809	35199	22787	25563	35204	33934	None	
JOHN DEERE	992E		8.500	10.000	1.873	25551	22751	22749	Not Req'd	32441	N/A	2.809	35199	22787	25563	35204	33934	None	
JOHN DEERE	EX120-2		6.73	6.7	1.33	25499	Not Req'd	Not Req'd	25502	22471	N/A	1.99	35199	35205	35205	25546	33934	None	
Kobelco	K909A		7.480	8.580	1.496	25500	22779	22779	Not Req'd	32437	N/A	2.171	35199	35205	25562	25546	33936	None	
KOMATSU	D120-15		9	11.3	1.988	25551	22751	22749	Not Req'd	32441	N/A	2.854	32434	22787	25563	35204	33934	None	
KOMATSU	D120-18		9.000	11.312	1.996	25551	22751	Not Req'd	Not Req'd	32441	N/A	N/A	32434	Not Req'd	N/A	25546	33934	None	
KOMATSU	D120-8		9	11.312	1.996	25551	22751	Not Req'd	Not Req'd	32441	N/A	N/A	32434	Not Req'd	N/A	25546	33934	None	
KOMATSU	D125-18		9.000	11.312	1.996	25551	22751	Not Req'd	Not Req'd	32441	N/A	N/A	32434	Not Req'd	N/A	25546	33934	None	
KOMATSU	D150-1	OLD	9	11.312	1.996	25551	22751	Not Req'd	Not Req'd	32441	N/A	N/A	32434	Not Req'd	N/A	25546	33934	None	
KOMATSU	D150-1	NEW	9.000	11.312	1.918	25551	22751	22749	Not Req'd	33471	N/A	N/A	32434	Not Req'd	N/A	25546	33934	None	
KOMATSU	D155-1	OLD	9	11.312	1.996	25551	22751	Not Req'd	Not Req'd	32441	N/A	N/A	32434	Not Req'd	N/A	25546	33934	None	
KOMATSU	D155-1	NEW	9.000	11.312	1.918	25551	22751	22749	Not Req'd	33471	N/A	N/A	32434	Not Req'd	N/A	25546	33934	None	
KOMATSU	D155A-1		9	11.3	1.909	25551	22751	22749	Not Req'd	32441	N/A	3.011	32434	22787	25561	25546	33934	None	
KOMATSU	D155A-5		9.000	11.480	1.909	25551	22751	22749	Not Req'd	32441	N/A	3.030	32434	22787	25561	25546	33934	None	
KOMATSU	D155AX-3		9	11.48	1.909	25551	22751	22749	Not Req'd	32441	N/A	3.03	32434	22787	25561	25546	33934	None	
KOMATSU	D155AX-5		9.000	11.480	1.909	25551	22751	22749	Not Req'd	32441	N/A	3.030	32434	22787	25561	25546	33934	None	
KOMATSU	D20	SALT	5.31	5.55	0.945	200281	Not Req'd	Not Req'd	25505	32435	N/A	1.6	35199	33471	35202	35204	33934	None	
KOMATSU	D20	Sealed	5.310	5.630	0.945	200281	Not Req'd	Not Req'd	25505	32435	N/A	1.614	35199	33471	35202	35204	33934	None	
KOMATSU	D20-2		5.312	5.5	0.943	200281	Not Req'd	Not Req'd	25505	32435	N/A	N/A	35199	Not Req'd	N/A	25546	33934	None	
KOMATSU	D20-3		5.312	5.500	0.943	200281	Not Req'd	Not Req'd	25505	32435	N/A	N/A	35199	Not Req'd	N/A	25546	33934	None	
KOMATSU	D21		5.312	5.5	0.943	200281	Not Req'd	Not Req'd	25505	32435	N/A	N/A	35199	Not Req'd	N/A	25546	33934	None	
KOMATSU	D250		10.250	12.320	2.165	25501	Not Req'd	Not Req'd	Not Req'd	33474	N/A	3.110	32434	22771	25561	25546	33934	None	
KOMATSU	D30-12		6.625	6.625	1.1	200281	Not Req'd	Not Req'd	25504	32435	N/A	N/A	35199	Not Req'd	N/A	25546	33934	None	
KOMATSU	D30-15		6.625	6.625	1.100	200281	Not Req'd	Not Req'd	25504	32435	N/A	N/A	35199	Not Req'd	N/A	25546	33934	None	
KOMATSU	D30-6		6.625	6.625	1.1	200281	Not Req'd	Not Req'd	25504	32435	N/A	N/A	35199	Not Req'd	N/A	25546	33934	None	
KOMATSU	D30A		6.060	6.590	1.102	200281	Not Req'd	Not Req'd	25504	32435	N/A	1.772	35199	33471	35202	EITHER	33934	None	

3/23/2016				MASTER PIN RMOVAL AND INSTALLATION							BUSHING REMOVAL		BUSHING INSTALL		REAR FORCING PIN (J)		SPECIAL TOOLING	
MAKE	MODEL	COMMENTS	PITCH	PIN LENGTH	PIN DIA	FORCING PIN (A)	ALIGNING BUSHING (2)(B)		PILOT PIN ©	ALIGNING ADAPTOR (D)	BUSHING ID	BUSHING OD	BUSHING PUSHER (E)	BUSHING ADAPTER (F)	REAR BUSH ASSY PLATE (G)	BUSHING INSTALLER (H)	REAR FORCING PIN (J)	SPECIAL TOOLING
							REMOVAL	INSTALL										
KOMATSU	D30S-1		6.06	6.59	1.094	200281	Not Req'd	Not Req'd	25505	32435	N/A	1.772	35199	33471	35202	EITHER	33934	None
KOMATSU	D30S-15		6.060	6.590	1.102	200281	Not Req'd	Not Req'd	25504	32435	N/A	1.772	35199	33471	35202	EITHER	33934	None
KOMATSU	D31		6.625	6.625	1.1	200281	Not Req'd	Not Req'd	25504	32435	N/A	N/A	35199	Not Req'd	N/A	25546	33934	None
KOMATSU	D31 (PC100)		6.060	6.690	1.181	25498	Not Req'd	Not Req'd	25504	32435	N/A	1.820	35199	33471	35202	EITHER	33934	None
KOMATSU	D31-15		6.06	6.59	1.102	200281	Not Req'd	Not Req'd	25504	32435	N/A	1.772	35199	33471	35202	EITHER	33934	None
KOMATSU	D31-16		6.060	6.690	1.102	200281	Not Req'd	Not Req'd	25504	32435	N/A	1.772	35199	33471	35202	EITHER	33934	None
KOMATSU	D355		10.25	12.58	2.244	25501	Not Req'd	Not Req'd	Not Req'd	33474	N/A	3.346	32434	31658	25561	25546	33934	None
KOMATSU	D355-1	OLD	9.000	11.563	2.245	25501	Not Req'd	Not Req'd	Not Req'd	33474	N/A	N/A	32434	Not Req'd	N/A	25546	33934	None
KOMATSU	D355-1	NEW	10.25	12.563	2.087	25501	Not Req'd	Not Req'd	Not Req'd	32441	N/A	N/A	32434	Not Req'd	N/A	25546	33934	None
KOMATSU	D355-3		10.250	12.750	2.087	25501	Not Req'd	Not Req'd	Not Req'd	32441	N/A	N/A	32434	Not Req'd	N/A	25546	33934	None
KOMATSU	D355A-1		10.25	12.58	2.244	25501	Not Req'd	Not Req'd	Not Req'd	33474	N/A	3.346	32434	31658	25561	25546	33934	None
KOMATSU	D355A-3		10.250	12.740	2.185	25501	Not Req'd	Not Req'd	Not Req'd	33474	N/A	3.346	32434	31658	25561	25546	33934	None
KOMATSU	D375A-1		10.25	12.61	2.244	25501	Not Req'd	Not Req'd	Not Req'd	33474	N/A	3.648	32434	Not Req'd	25561	25546	33934	None
KOMATSU	D375A-2		11.040	12.770	2.362	25553	Not Req'd	Not Req'd	Not Req'd	Not Req'd	N/A	3.860	32434	Not Req'd	25561	25546	33934	None
KOMATSU	D375A-5		11.04	12.77	2.362	25553	Not Req'd	Not Req'd	Not Req'd	Not Req'd	N/A	3.876	32434	Not Req'd	25561	25546	33934	None
KOMATSU	D37P		6.060	6.690	1.102	200281	Not Req'd	Not Req'd	25504	32435	N/A	1.850	35199	33471	35202	EITHER	33934	None
KOMATSU	D40	Recessed	6.89	8.58	1.488	25500	22779	22779	Not Req'd	32437	N/A	2.165	35199	35205	25562	25546	33936	None
KOMATSU	D40	SALT	6.890	7.130	1.377	25499	Not Req'd	22779	25502	33472	N/A	2.043	35199	35205	25562	25546	33936	None
KOMATSU	D40	Sealed	6.89	7.17	1.382	25499	Not Req'd	22779	25502	33472	N/A	2.085	35199	35205	25562	25546	33936	None
KOMATSU	D40-1		6.875	8.563	1.494	25500	22779	22779	Not Req'd	32437	N/A	N/A	35199	Not Req'd	N/A	25546	33936	None
KOMATSU	D40P-1		6.906	8.661	1.496	25500	22779	22779	Not Req'd	32437	N/A	2.165	35199	35205	25562	25546	33936	None
KOMATSU	D41	S/N 216338 & UP	6.890	7.170	1.382	25499	Not Req'd	22779	25502	33472	N/A	2.085	35199	35205	25562	25546	33936	None
KOMATSU	D41	SALT	6.89	7.17	1.382	25499	Not Req'd	22779	25502	33472	N/A	2.085	35199	35205	25562	25546	33936	None
KOMATSU	D41	Sealed	6.890	7.170	1.382	25499	Not Req'd	22779	25502	33472	N/A	2.085	35199	35205	25562	25546	33936	None
KOMATSU	D41	Unsealed	6.89	7.17	1.382	25499	Not Req'd	22779	25502	33472	N/A	2.179	35199	35205	25562	25546	33936	None
KOMATSU	D41-6		6.750	7.224	1.307	25499	Not Req'd	Not Req'd	25502	32435	N/A	2.283	35199	35205	25562	25546	33936	None
KOMATSU	D41A.S.P.Q-3		6.906	8.661	1.496	25500	22779	22779	Not Req'd	32437	N/A	2.165	35199	35205	25562	25546	33936	None
KOMATSU	D41PX-12		6.875	7.845	1.432	25500	22779	22779	Not Req'd	33472	N/A	2.365	35199	22769	25562	25546	33936	None
KOMATSU	PC240		7.677	7.48	1.496	25500	22779	22779	Not Req'd	32437	N/A	2.165	35199	35205	25562	25546	33936	None
KOMATSU	D45		6.890	8.580	1.488	25500	22779	22779	Not Req'd	32437	N/A	2.165	35199	35205	25562	25546	33936	None
KOMATSU	D450		8.858	8.66	1.85	25551	22751	22749	Not Req'd	32441	N/A	2.803	35199	35206	25563	35204	33936	None
KOMATSU	D45-1		6.875	8.563	1.494	25500	22779	22779	Not Req'd	32437	N/A	N/A	35199	Not Req'd	N/A	25546	33936	None
KOMATSU	D455		12.5	14.37	2.756	25553	Not Req'd	Not Req'd	Not Req'd	Not Req'd	N/A	4.25	32434	Not Req'd	25561	25546	33934	None
KOMATSU	D455A-1		12.500	14.370	2.756	25553	Not Req'd	Not Req'd	Not Req'd	Not Req'd	N/A	4.250	32434	Not Req'd	25561	25546	33934	None
KOMATSU	D45A		6.906	8.661	1.496	25500	22779	22779	Not Req'd	32437	N/A	2.165	35199	35205	25562	25546	33936	None
KOMATSU	D45B		6.906	8.661	1.496	25500	22779	22779	Not Req'd	32437	N/A	2.165	35199	35205	25562	25546	33936	None
KOMATSU	D45P-1		6.89	7.17	1.382	25499	Not Req'd	22779	25502	33472	N/A	2.085	35199	35205	25562	25546	33936	None

3/23/2016				MASTER PIN RMOVAL AND INSTALLATION							ALIGNING		BUSHING REMOVAL		BUSHING INSTALL		REAR		SPECIAL
MAKE	MODEL	COMMENTS	PITCH	PIN LENGTH	PIN DIA	FORCING PIN (A)	ALIGNING BUSHING (2)(B)		PILOT PIN ©	ALIGNING ADAPTOR (D)	BUSHING ID	BUSHING OD	BUSHING PUSHER (E)	BUSHING ADAPTER (F)	REAR BUSH ASSY PLATE (G)	BUSHING INSTALLER (H)	REAR FORCING PIN (J)	SPECIAL TOOLING	
							REMOVAL	INSTALL											
KOMATSU	D50		6.890	7.130	1.377	25499	Not Req'd	22779	25502	33472	N/A	2.043	35199	35205	25562	25546	33936	None	
KOMATSU	D50-10		6.875	8.5625	1.494	25500	22779	22779	Not Req'd	32437	N/A	N/A	35199	Not Req'd	N/A	25546	33936	None	
KOMATSU	D50-11		6.875	8.563	1.494	25500	22779	22779	Not Req'd	32437	N/A	N/A	35199	Not Req'd	N/A	25546	33936	None	
KOMATSU	D50-11		6.89	8.58	1.488	25500	22779	22779	Not Req'd	32437	N/A	2.165	35199	35205	25562	25546	33936	None	
KOMATSU	D50-15		6.875	8.563	1.494	25500	22779	22779	Not Req'd	32437	N/A	N/A	35199	Not Req'd	N/A	25546	33936	None	
KOMATSU	D50-15		6.89	8.58	1.488	25500	22779	22779	Not Req'd	32437	N/A	2.165	35199	35205	25562	25546	33936	None	
KOMATSU	D50A		6.906	8.661	1.496	25500	22779	22779	Not Req'd	32437	N/A	2.165	35199	35205	25562	25546	33936	None	
KOMATSU	D50B		6.906	8.661	1.496	25500	22779	22779	Not Req'd	32437	N/A	2.165	35199	35205	25562	25546	33936	None	
KOMATSU	D50P		6.906	8.661	1.496	25500	22779	22779	Not Req'd	32437	N/A	2.165	35199	35205	25562	25546	33936	None	
KOMATSU	D50S		6.906	8.661	1.496	25500	22779	22779	Not Req'd	32437	N/A	2.165	35199	35205	25562	25546	33936	None	
KOMATSU	D53	SALT	6.890	7.130	1.377	25499	Not Req'd	22779	25502	33472	N/A	2.043	35199	35205	25562	25546	33936	None	
KOMATSU	D53	S/N 1334 & UP	6.89	7.17	1.382	25499	Not Req'd	22779	25502	33472	N/A	2.085	35199	35205	25562	25546	33936	None	
KOMATSU	D53-15		6.875	8.563	1.494	25500	22779	22779	Not Req'd	32437	N/A	N/A	35199	Not Req'd	N/A	25546	33936	None	
KOMATSU	D53-16		6.89	7.17	1.382	25499	Not Req'd	22779	25502	33472	N/A	2.085	35199	35205	25562	25546	33936	None	
KOMATSU	D53A		6.906	8.661	1.496	25500	22779	22779	Not Req'd	32437	N/A	2.165	35199	35205	25562	25546	33936	None	
KOMATSU	D53A-15		6.89	7.17	1.382	25499	Not Req'd	22779	25502	33472	N/A	2.085	35199	35205	25562	25546	33936	None	
KOMATSU	D55-2		7.500	8.562	1.494	25500	22779	22779	Not Req'd	32437	N/A	N/A	35199	Not Req'd	N/A	25546	33936	None	
KOMATSU	D55-3		7.5	8.562	1.494	25500	22779	22779	Not Req'd	32437	N/A	N/A	35199	Not Req'd	N/A	25546	33936	None	
KOMATSU	D55-S		7.480	8.580	1.488	25500	22779	22779	Not Req'd	32437	N/A	2.165	35199	35205	25562	25546	33936	None	
KOMATSU	D57-1		7.48	8.66	1.5	25500	22779	22777	Not Req'd	32437	N/A	2.165	35199	35205	25562	25546	33936	None	
KOMATSU	D58		6.890	7.130	1.377	25499	Not Req'd	22779	25502	33472	N/A	2.043	35199	35205	25562	25546	33936	None	
KOMATSU	D58E		6.906	8.661	1.496	25500	22779	22779	Not Req'd	32437	N/A	2.165	35199	35205	25562	25546	33936	None	
KOMATSU	D58P-1		6.906	8.661	1.496	25500	22779	22779	Not Req'd	32437	N/A	2.165	35199	35205	25562	25546	33936	None	
KOMATSU	D60		8	9.43	1.75	25548	22777	22751	Not Req'd	32441	N/A	2.618	35199	22769	25562	25546	33934	None	
KOMATSU	D60-1		6.875	8.563	1.494	25500	22779	22779	Not Req'd	32437	N/A	N/A	35199	Not Req'd	N/A	25546	33936	None	
KOMATSU	D60-3		7.5	8.562	1.494	25500	22779	22779	Not Req'd	32437	N/A	N/A	35199	Not Req'd	N/A	25546	33936	None	
KOMATSU	D60-6		8.000	9.438	1.756	25548	22777	22751	Not Req'd	33471	N/A	N/A	35199	Not Req'd	N/A	25546	33934	None	
KOMATSU	D60A	Recessed	7.48	8.58	1.488	25500	22779	22779	Not Req'd	32437	N/A		CHECK	32437	35202	35204	33936	None	
KOMATSU	D60A	Sealed	7.984	9.449	1.756	25548	22777	22751	Not Req'd	32441	N/A	2.630	35199	22769	25562	35204	33934	None	
KOMATSU	D61E		7.48	8.897	1.496	25500	22779	22779	Not Req'd	32437	N/A	2.56	35199	22769	25562	25546	33936	None	
KOMATSU	D61EX		7.480	8.897	1.496	25500	22779	22779	Not Req'd	32437	N/A	2.560	35199	22769	25562	25546	33936	None	
KOMATSU	D61P		7.48	8.897	1.496	25500	22779	22779	Not Req'd	32437	N/A	2.56	35199	22769	25562	25546	33936	None	
KOMATSU	D61PX		7.480	8.897	1.496	25500	22779	22779	Not Req'd	32437	N/A	2.560	35199	22769	25562	25546	33936	None	
KOMATSU	D63E		6.89	7.13	1.377	25499	Not Req'd	22779	25502	33472	N/A	2.043	35199	35205	25562	25546	33936	None	
KOMATSU	D65-6		8.000	9.438	1.756	25548	22777	22751	Not Req'd	33471	N/A	N/A	35199	Not Req'd	N/A	25546	33934	None	
KOMATSU	D65A	S/N 6842 & DN	7.984	9.449	1.756	25548	22777	22751	Not Req'd	32441	N/A	2.618	35199	22769	25562	25546	33934	None	
KOMATSU	D65E		8.000	9.430	1.750	25548	22777	22751	Not Req'd	32441	N/A	2.618	35199	22769	25562	25546	33934	None	

3/23/2016				MASTER PIN RMOVAL AND INSTALLATION							ALIGNING		BUSHING REMOVAL		BUSHING INSTALL		REAR		SPECIAL
MAKE	MODEL	COMMENTS	PITCH	PIN LENGTH	PIN DIA	FORCING PIN (A)	ALIGNING BUSHING (2)(B)		PILOT PIN ©	ALIGNING ADAPTOR (D)	BUSHING ID	BUSHING OD	BUSHING PUSHER (E)	BUSHING ADAPTER (F)	REAR BUSH ASSY PLATE (G)	BUSHING INSTALLER (H)	REAR FORCING PIN (J)	SPECIAL TOOLING	
							REMOVAL	INSTALL											
KOMATSU	D65EX-12		8	9.433	1.75	25548	22777	22751	Not Req'd	32441	N/A	2.618	35199	22769	25562	25546	33934	None	
KOMATSU	D65P-6		8.000	9.430	1.750	25548	22777	22751	Not Req'd	32441	N/A	2.618	35199	22769	25562	25546	33934	None	
KOMATSU	D65PX-12		8	9.433	1.75	25548	22777	22751	Not Req'd	32441	N/A	2.618	35199	22769	25562	25546	33934	None	
KOMATSU	D66	SALT	8.000	9.530	1.750	25548	22777	22751	Not Req'd	32441	N/A	2.751	35199	35206	25563	35204	33934	None	
KOMATSU	D66	Sealed	8	9.43	1.75	25548	22777	22751	Not Req'd	32441	N/A	2.618	35199	22769	25562	25546	33934	None	
KOMATSU	D68	SALT	8.000	9.530	1.750	25548	22777	22751	Not Req'd	32441	N/A	2.750	35199	35206	25563	35204	33934	None	
KOMATSU	D68	Sealed	8	9.43	1.75	25548	22777	22751	Not Req'd	32441	N/A	2.618	35199	22769	25562	25546	33934	None	
KOMATSU	D75		8.500	10.000	1.850	25551	22751	22749	Not Req'd	32441	N/A	2.925	35199	22787	25563	35204	33934	None	
KOMATSU	D75-2		8.5	9.875	1.851	25551	22751	22749	Not Req'd	33471	N/A	N/A	35199	Not Req'd	N/A	25546	33934	None	
KOMATSU	D75-3		8.500	9.875	1.851	25551	22751	22749	Not Req'd	33471	N/A	N/A	35199	Not Req'd	N/A	25546	33934	None	
KOMATSU	D75-S		8.5	9.84	1.85	25551	22751	22749	Not Req'd	32441	N/A	2.803	35199	35206	25563	35204	33934	None	
KOMATSU	D80		8.500	10.000	1.850	25551	22751	22749	Not Req'd	32441	N/A	2.925	35199	22787	25563	35204	33934	None	
KOMATSU	D80-12		8.5	9.875	1.851	25551	22751	22749	Not Req'd	33471	N/A	N/A	35199	Not Req'd	N/A	25546	33934	None	
KOMATSU	D80-7		8.000	9.875	1.754	25548	22777	22751	Not Req'd	33471	N/A	N/A	35199	Not Req'd	N/A	25546	33934	None	
KOMATSU	D80-8		8	9.875	1.754	25548	22777	22751	Not Req'd	33471	N/A	N/A	35199	Not Req'd	N/A	25546	33934	None	
KOMATSU	D85-12		8.500	9.875	1.851	25551	22751	22749	Not Req'd	33471	N/A	N/A	35199	Not Req'd	N/A	25546	33934	None	
KOMATSU	D85-18		8.5	10	1.85	25551	22751	22749	Not Req'd	32441	N/A	2.925	35199	22787	25563	35204	33934	None	
KOMATSU	D85-7		8.000	9.875	1.754	25548	22777	22751	Not Req'd	33471	N/A	N/A	35199	Not Req'd	N/A	25546	33934	None	
KOMATSU	D85-8		8	9.875	1.754	25548	22777	22751	Not Req'd	33471	N/A	N/A	35199	Not Req'd	N/A	25546	33934	None	
KOMATSU	D85A		8.500	10.000	1.850	25551	22751	22749	Not Req'd	32441	N/A	2.295	35199	35205	25562	25546	33934	None	
KOMATSU	D85A-12		8.5	9.84	1.85	25551	22751	22749	Not Req'd	32441	N/A	2.803	35199	35206	25563	35204	33934	None	
KOMATSU	D85E		8.500	10.000	1.850	25551	22751	22749	Not Req'd	32441	N/A	2.925	35199	22787	25563	35204	33934	None	
KOMATSU	D85E-12		8.5	9.84	1.772	25551	22751	22751	Not Req'd	32441	N/A	2.795	35199	35206	25563	35204	33934	None	
KOMATSU	D85P-18		8.500	10.000	1.850	25551	22751	22749	Not Req'd	32441	N/A	2.925	35199	22787	25563	35204	33934	None	
KOMATSU	D95		8.5	10	1.85	25551	22751	22749	Not Req'd	32441	N/A	2.925	35199	22787	25563	35204	33934	None	
KOMATSU	D95-1		8.500	10.000	1.772	25551	22751	22751	Not Req'd	33471	N/A	N/A	35199	Not Req'd	N/A	25546	33934	None	
KOMATSU	D95-S		8.5	10	1.772	25551	22751	22751	Not Req'd	32441	N/A	2.8	35199	35206	25563	35204	33934	None	
KOMATSU	EX1800		12.500	14.450	2.756	25553	Not Req'd	Not Req'd	Not Req'd	Not Req'd	N/A	4.567	32434	Not Req'd	25561	25546	33934	None	
KOMATSU	PC100		6.06	6.811	1.181	25498	Not Req'd	Not Req'd	25504	32435	N/A	1.811	35199	33471	35205	EITHER	33934	None	
KOMATSU	PC100		6.890	6.810	1.180	25498	Not Req'd	Not Req'd	25504	32435	N/A	1.810	35199	33471	35202	EITHER	33934	None	
KOMATSU	PC1000		10.25	12.61	2.244	25501	Not Req'd	Not Req'd	Not Req'd	33474	N/A	3.62	32434	31658	25561	25546	33934	None	
KOMATSU	PC100-1		6.062	6.535	1.181	25498	Not Req'd	Not Req'd	25504	32435	N/A	1.819	35199	33471	35202	EITHER	33934	None	
KOMATSU	PC100-2		6.062	6.535	1.181	25498	Not Req'd	Not Req'd	25504	32435	N/A	1.819	35199	33471	35202	EITHER	33934	None	
KOMATSU	PC100-3		6.062	6.535	1.181	25498	Not Req'd	Not Req'd	25504	32435	N/A	1.819	35199	33471	35202	EITHER	33934	None	
KOMATSU	PC100-6		6.89	6.81	1.18	25498	Not Req'd	Not Req'd	25504	32435	N/A	1.82	35199	33471	35202	EITHER	33934	None	
KOMATSU	PC120		6.060	6.811	1.181	25498	Not Req'd	Not Req'd	25504	32435	N/A	1.820	35199	33471	35202	EITHER	33934	None	
KOMATSU	PC120		6.89	6.81	1.18	25498	Not Req'd	Not Req'd	25504	32435	N/A	1.81	35199	33471	35202	EITHER	33934	None	

3/23/2016				MASTER PIN RMOVAL AND INSTALLATION									BUSHING REMOVAL		BUSHING INSTALL			
MAKE	MODEL	COMMENTS	PITCH	PIN LENGTH	PIN DIA	FORCING PIN (A)	ALIGNING BUSHING (2)(B)		PILOT PIN ©	ALIGNING ADAPTOR (D)	BUSHING ID	BUSHING OD	BUSHING PUSHER (E)	BUSHING ADAPTER (F)	REAR BUSH ASSY PLATE (G)	BUSHING INSTALLER (H)	REAR FORCING PIN (J)	SPECIAL TOOLING
							REMOVAL	INSTALL										
KOMATSU	PC120-1		6.062	6.535	1.181	25498	Not Req'd	Not Req'd	25504	32435	N/A	1.819	35199	33471	35202	EITHER	33934	None
KOMATSU	PC120-2		6.062	6.535	1.181	25498	Not Req'd	Not Req'd	25504	32435	N/A	1.819	35199	33471	35202	EITHER	33934	None
KOMATSU	PC120-3		6.062	6.535	1.181	25498	Not Req'd	Not Req'd	25504	32435	N/A	1.819	35199	33471	35202	EITHER	33934	None
KOMATSU	PC120-6		6.9	6.811	1.181	25498	Not Req'd	Not Req'd	25504	32435	N/A	1.81	35199	33471	35202	EITHER	33934	None
KOMATSU	PC120LC-6		6.890	6.810	1.180	25498	Not Req'd	Not Req'd	25504	32435	N/A	1.820	35199	33471	35202	EITHER	33934	None
KOMATSU	PC130-6		6.89	6.81	1.18	25498	Not Req'd	Not Req'd	25504	32435	N/A	1.82	35199	33471	35202	EITHER	33934	None
KOMATSU	PC138		6.890	6.810	1.180	25498	Not Req'd	Not Req'd	25504	32435	N/A	1.820	35199	33471	35202	EITHER	33934	None
KOMATSU	PC150		6.89	8.66	1.499	25500	22779	22779	Not Req'd	32437	N/A	2.179	35199	35205	25562	25546	33936	None
KOMATSU	PC200		7.480	8.660	1.500	25500	22779	22777	Not Req'd	32437	N/A	2.165	35199	35205	25562	25546	33936	None
KOMATSU	PC220		7.48	8.66	1.5	25500	22779	22777	Not Req'd	32437	N/A	2.165	35199	35205	25562	25546	33936	None
KOMATSU	PC250LC-6		8.500	9.520	1.750	25548	22777	22751	Not Req'd	32441	N/A	2.620	35199	22769	25562	25546	33934	None
KOMATSU	PC270LC-6		8.5	9.52	1.75	25548	22777	22751	Not Req'd	32441	N/A	2.62	35199	22769	25562	25546	33934	None
KOMATSU	PC270LC-7		8.500	9.520	1.750	25548	22777	22751	Not Req'd	32441	N/A	2.620	35199	22769	25562	25546	33934	None
KOMATSU	PC275A-2		10.25	12.61	2.244	25501	Not Req'd	Not Req'd	Not Req'd	33474	N/A		CHECK	32437	35202	35204	33934	None
KOMATSU	PC300	EXC	8.000	9.530	1.750	25548	22777	22751	Not Req'd	32441	N/A	2.618	35199	22769	25562	25546	33934	None
KOMATSU	PC300HD-6		9	9.92	1.85	25551	22751	22749	Not Req'd	32441	N/A	2.8	35199	35206	25563	35204	33934	None
KOMATSU	PC300LC-6		8.500	9.520	1.750	25548	22777	22751	Not Req'd	32441	N/A	2.620	35199	22769	25562	25546	33934	None
KOMATSU	PC300LC-7		8.5	9.52	1.75	25548	22777	22751	Not Req'd	32441	N/A	2.62	35199	22769	25562	25546	33934	None
KOMATSU	PC400		8.500	10.000	1.850	25551	22751	22749	Not Req'd	32441	N/A	2.925	35199	22787	25563	35204	33934	None
KOMATSU	PC400LC-5		8.5	9.921	1.856	25551	22751	22749	Not Req'd	32441	N/A	2.811	35199	22787	25563	35204	33934	None
KOMATSU	PC-400 EX		8.504	10.000	1.850	25551	22751	22749	Not Req'd	32441	N/A	2.925	35199	22787	25563	35204	33934	None
KOMATSU	PC60 EXC		5.31	5.55	0.945	200281	Not Req'd	Not Req'd	25505	32435	N/A	1.6	35199	33471	35205	35204	33934	None
KOMATSU	PC600		8.500	10.000	1.850	25551	22751	22749	Not Req'd	32441	N/A	2.790	35199	35206	25563	35204	33934	None
KOMATSU	PC600-6		9	11.41	1.92	25551	22751	22749	Not Req'd	32441	N/A	2.87	32434	22787	25563	35204	33934	None
KOMATSU	PC600-7		9.000	11.410	1.920	25551	22751	22749	Not Req'd	32441	N/A	2.870	32434	22787	25563	35204	33934	None
KOMATSU	PC600LC-6		9	11.41	1.92	25551	22751	22749	Not Req'd	32441	N/A	2.87	32434	22787	25563	35204	33934	None
KOMATSU	PC600LC-7		9.000	11.410	1.920	25551	22751	22749	Not Req'd	32441	N/A	2.870	32434	22787	25563	35204	33934	None
KOMATSU	PC650-5		10.25	12.61	2.185	25501	Not Req'd	Not Req'd	Not Req'd	33474	N/A	3.445	32434	31658	25561	25546	33934	None
KOMATSU	PC700		10.250	12.610	2.185	25501	Not Req'd	Not Req'd	Not Req'd	33474	N/A	3.445	32434	31658	25561	25546	33934	None
KOMATSU	PC710		10.25	12.61	2.185	25501	Not Req'd	Not Req'd	Not Req'd	33474	N/A	3.445	32434	31658	25561	25546	33934	None
KOMATSU	PC750 SE-6		10.250	12.610	2.185	25501	Not Req'd	Not Req'd	Not Req'd	33474	N/A	3.445	32434	31658	25561	25546	33934	None
KOMATSU	PC80		6.06	6.811	1.181	25498	Not Req'd	Not Req'd	25504	32435	N/A	1.811	35199	33471	35202	EITHER	33934	None
KOMATSU	PC800		10.250	12.610	2.185	25501	Not Req'd	Not Req'd	Not Req'd	33474	N/A	3.445	32434	31658	25561	25546	33934	None
KOMATSU	PC80-1		6.062	6.535	1.181	25498	Not Req'd	Not Req'd	25504	32435	N/A	1.819	35199	33471	35202	EITHER	33934	None
KOMATSU	PC80-3		6.062	6.535	1.181	25498	Not Req'd	Not Req'd	25504	32435	N/A	1.819	35199	33471	35202	EITHER	33934	None
KOMATSU	PC80LC-3 KH170L EXC		6.062	6.535	1.181	25498	Not Req'd	Not Req'd	25504	32435	N/A	1.819	35199	33471	35202	EITHER	33934	None
KUBOTO			5.310	5.510	0.994	200281	Not Req'd	Not Req'd	25505	32435	N/A	0.662	CHECK	32437	35202	35204	33934	None

3/23/2016				MASTER PIN RMOVAL AND INSTALLATION							BUSHING REMOVAL		BUSHING INSTALL		REAR FORCING PIN (J)		SPECIAL TOOLING	
MAKE	MODEL	COMMENTS	PITCH	PIN LENGTH	PIN DIA	FORCING PIN (A)	ALIGNING BUSHING (2)(B)		PILOT PIN ©	ALIGNING ADAPTOR (D)	BUSHING ID	BUSHING OD	BUSHING PUSHER (E)	BUSHING ADAPTER (F)	REAR BUSH ASSY PLATE (G)	BUSHING INSTALLER (H)	REAR FORCING PIN (J)	SPECIAL TOOLING
							REMOVAL	INSTALL										
LIEBHERR	944		6.735	7	1.314	25499	Not Req'd	Not Req'd	25502	22471	N/A		CHECK	32437	35202	35204	33936	None
LIEBHERR	PR711		6.735	7.220	1.315	25499	Not Req'd	Not Req'd	25502	22471	N/A	2.205	35199	35205	25562	25546	33936	None
LIEBHERR	PR721		6.735	8.12	1.442	25500	22779	22779	Not Req'd	33472	N/A	2.312	35199	35205	25562	25546	33936	None
LIEBHERR	PR731		7.985	9.060	1.752	25548	22777	22751	Not Req'd	32441	N/A	2.621	35199	22769	25562	35204	33934	None
LIEBHERR	R912		6.735	7	1.314	25499	Not Req'd	Not Req'd	25502	22471	N/A	1.993	35199	35205	35202	25546	33936	None
LIEBHERR	R922		6.735	7.000	1.314	25499	Not Req'd	Not Req'd	25502	22471	N/A	1.993	35199	35205	35202	25546	33936	None
LIEBHERR	R932		6.735	8.13	1.442	25500	22779	22779	Not Req'd	33472	N/A	2.188	35199	35205	25562	25546	33936	None
LINKBELT	LS2800		6.735	8.130	1.442	25500	22779	22779	Not Req'd	33472	N/A	2.188	35199	35205	25562	25546	33936	None
LINKBELT	LS4800		8.5	9.88	1.878	25551	22751	22749	Not Req'd	32441	N/A	2.812	32434	22787	25563	35204	33934	None
LINKBELT	LS5400		8.500	9.880	1.878	25551	22751	22749	Not Req'd	32441	N/A	2.812	32434	22787	25563	35204	33934	None
LINKBELT	LS5800		8.5	9.88	1.878	25551	22751	22749	Not Req'd	32441	N/A	2.812	32434	22787	25563	35204	33934	None
LINKBELT	LS6400		9.000	11.440	2.003	25551	22751	Not Req'd	Not Req'd	32441	N/A	2.996	32434	22787	25563	35204	33934	None
LINKBELT	LS7400		9	11.44	2.003	25551	22751	Not Req'd	Not Req'd	32441	N/A	2.996	32434	22787	25563	35204	33934	None
LINKBELT	LS7800		6.735	8.130	1.442	25500	22779	22779	Not Req'd	33472	N/A	2.118	35199	35205	25562	25546	33936	None
LINKBELT	LS9800		7.985	9.88	1.752	25548	22777	22751	Not Req'd	32441	N/A	2.621	35199	22769	25562	35204	33934	None
MASSEY FERGUSON	MF200B		5.512	5.750	1.063	200281	Not Req'd	Not Req'd	25505	32435	N/A	1.654	35199	33471	35202	35204	33934	None
MASSEY FERGUSON	MF2244		5.512	5.42	0.984	200281	Not Req'd	Not Req'd	25505	32435	N/A	1.468	35199	32437	35202	35204	33934	None
MASSEY FERGUSON	MF300	Recessed	6.299	6.610	1.299	25499	Not Req'd	Not Req'd	25502	32435	N/A	1.968	35199	35205	35202	EITHER	33934	None
MASSEY FERGUSON	MF300	Sealed	6.299	6.61	1.299	25499	Not Req'd	Not Req'd	25502	32435	N/A	1.968	35199	35205	35202	EITHER	33934	None
MASSEY FERGUSON	MF400C		6.690	7.010	1.380	25499	Not Req'd	22779	25502	33472	N/A	2.048	35199	35205	25562	25546	33936	None
MASSEY FERGUSON	MF450		6.299	6.61	1.299	25499	Not Req'd	Not Req'd	25502	32435	N/A	1.968	35199	35205	35205	EITHER	33934	None
MASSEY FERGUSON	MF500		6.690	7.170	1.378	25499	Not Req'd	22779	25502	33472	N/A	2.048	35199	35205	25562	25546	33936	None
MASSEY FERGUSON	MF500B		6.75	8.11	1.441	25500	22779	22779	Not Req'd	33472	N/A	2.122	35199	35205	25562	25546	33936	None
MASSEY FERGUSON	MF600C		7.980	8.660	1.752	25548	22777	22751	Not Req'd	32441	N/A	2.618	35199	22769	25562	25546	33936	None
MASSEY FERGUSON	MFD400C		6.69	7.01	1.38	25499	Not Req'd	22779	25502	33472	N/A	2.048	35199	35205	25562	25546	33936	None
MASSEY FERGUSON	MFD700C		8.500	9.880	1.880	25551	22751	22749	Not Req'd	32441	N/A	2.811	32434	22787	25563	35204	33934	None
O&K	RH40C		10.25	12.52	2.28	25553	Not Req'd	Not Req'd	Not Req'd	33474	N/A	3.62	32434	N/A	25561	25546	33934	None
TEREX	8220		8.000	9.188	1.749	25548	22777	22751	Not Req'd	33471	1.769	2.624	35199	22769	N/A	35204	33934	None
TEREX	8230		8	11.5	1.745	25548	22777	22751	Not Req'd	33471	1.768	2.624	32434	22771	25561	25546	33934	None
TEREX	8240	OLD	8.000	11.500	1.745	25548	22777	22751	Not Req'd	33471	1.768	2.624	32434	22771	25561	25546	33934	None
TEREX	8240	NEW	9	12.5625	1.994	25551	22751	Not Req'd	Not Req'd	32441	2.019	2.992	32434	22789	25561	25546	33934	None
TEREX	8280		9.000	12.563	1.994	25551	22751	Not Req'd	Not Req'd	32441	2.019	2.992	32434	22789	25561	25546	33934	None
TEREX	82-20AA		8	9.19	1.75	25548	22777	22751	Not Req'd	32441	N/A	2.88	35199	22787	25563	35204	33934	None
TEREX	82-30		8.000	9.190	1.750	25548	22777	22751	Not Req'd	32441	N/A	2.880	35199	22787	25563	35204	33934	None
TEREX	82-30FA		8	11.52	1.75	25548	22777	22751	Not Req'd	32441	N/A	2.88	35199	22787	25563	35204	33934	None
TEREX	82-40AA		8.000	11.520	1.750	25548	22777	22751	Not Req'd	32441	N/A	2.880	35199	22787	25563	35204	33934	None
TEREX	8240CA		9	12.5	1.994	25551	22751	Not Req'd	Not Req'd	32441	2.019	2.992	32434	22787	N/A	35204	33934	None

3/23/2016				MASTER PIN RMOVAL AND INSTALLATION									BUSHING REMOVAL		BUSHING INSTALL			
MAKE	MODEL	COMMENTS	PITCH	PIN LENGTH	PIN DIA	FORCING PIN (A)	ALIGNING BUSHING (2)(B)		PILOT PIN ©	ALIGNING ADAPTOR (D)	BUSHING ID	BUSHING OD	BUSHING PUSHER (E)	BUSHING ADAPTER (F)	REAR BUSH ASSY PLATE (G)	BUSHING INSTALLER (H)	REAR FORCING PIN (J)	SPECIAL TOOLING
							REMOVAL	INSTALL										
TEREX	8240DA		9.000	12.500	1.994	25551	22751	Not Req'd	Not Req'd	32441	2.019	2.992	32434	22787	N/A	35204	33934	None
TEREX	82-50		10.312	12.38	2.38	25553	Not Req'd	Not Req'd	Not Req'd	Not Req'd	N/A	3.5	32434	31658	25561	25546	33934	None
TEREX	82-80DA		9.000	12.380	2.000	25551	22751	Not Req'd	Not Req'd	32441	N/A	3.190	32434	22771	25561	25546	33934	None
TEREX	C-260		8	11.5	1.745	25548	22777	22751	Not Req'd	33471	1.768	2.624	32434	22771	25561	25546	33934	None
TEREX	C-6		8.000	11.500	1.745	25548	22777	22751	Not Req'd	33471	1.768	2.624	32434	22771	25561	25546	33934	None
TEREX	TC-12		9	12.5625	1.994	25551	22751	Not Req'd	Not Req'd	32441	2.019	2.992	32434	22789	25561	25546	33934	None
VOLVO	EC150LC		7.500	8.188	1.496	25500	22779	22779	Not Req'd	32437	N/A	2.323	35199	35205	25562	25546	33936	None
VOLVO	EC235CL			8.74	1.49	25500	22779	22779	Not Req'd	32437	N/A		CHECK	32437	35205	35204	33936	None
VOLVO	EC145CL			7.360	1.310	25499	Not Req'd	Not Req'd	25502	32435	N/A		CHECK	32437	35205	35204	33936	None
VOLVO	EC700CL			12.79	2.24	25501L	Not Req'd	Not Req'd	Not Req'd	33474	N/A		CHECK	32437	35205	35204	33934	None
VOLVO	EC290CL			9.960	1.870	25551	22751	22749	Not Req'd	32441	N/A		CHECK	32437	35205	35204	33934	None
VOLVO	EC210CL			8.74	1.49	25500	22779	22779	Not Req'd	32437	N/A		CHECK	32437	35205	35204	33936	None
VOLVO	EC160CL			8.420	1.490	25500	22779	22779	Not Req'd	32437	N/A		CHECK	32437	35205	35204	33936	None