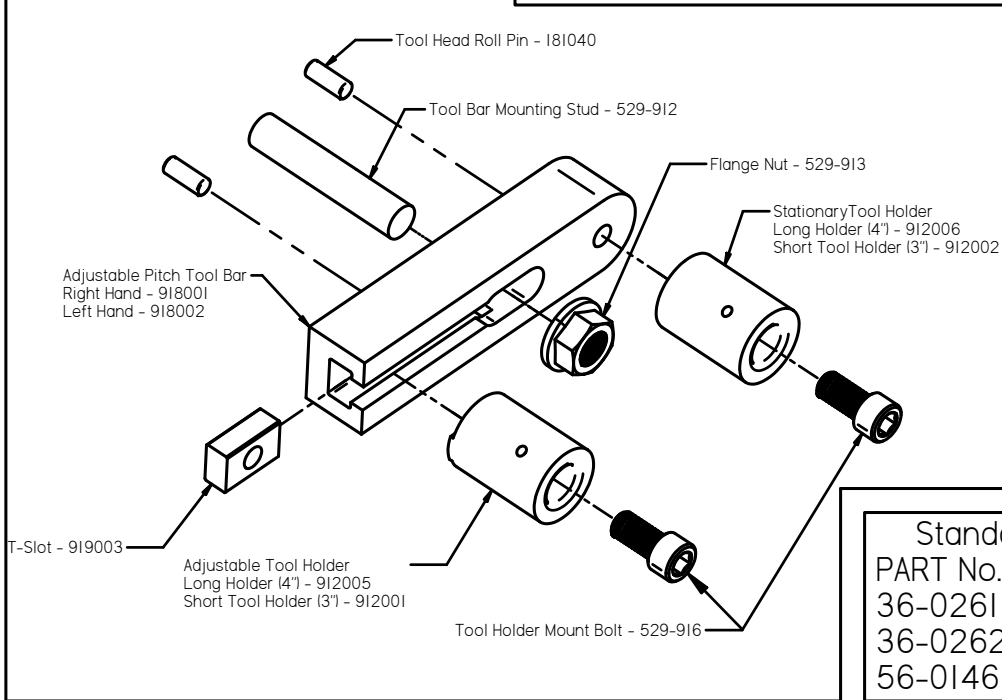
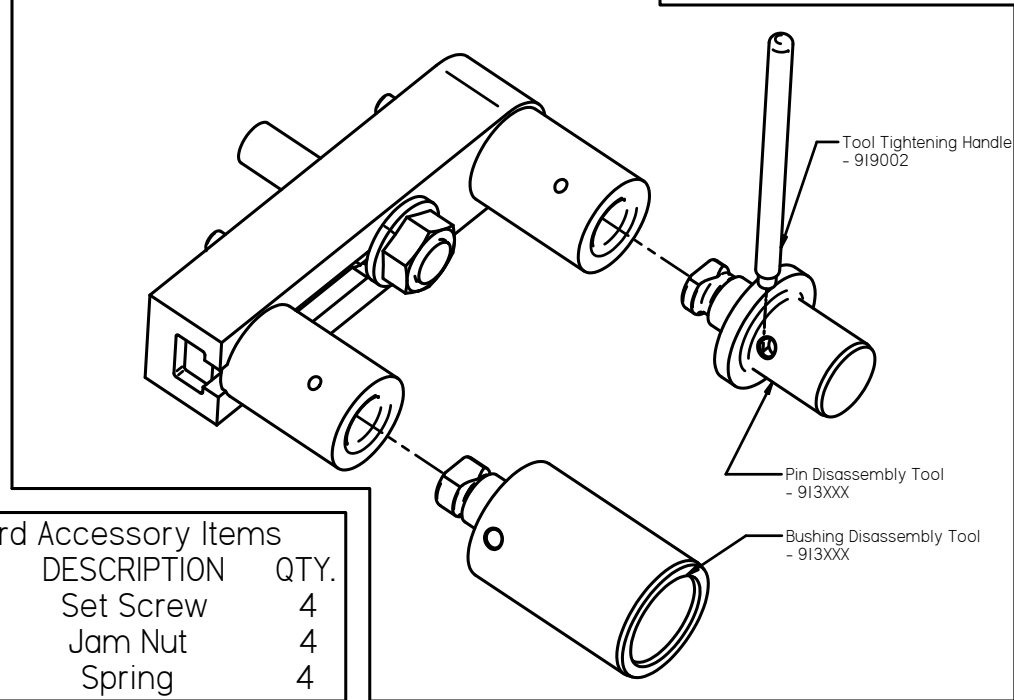


### Tool Holders - 5-1/2" to 8" Pitch

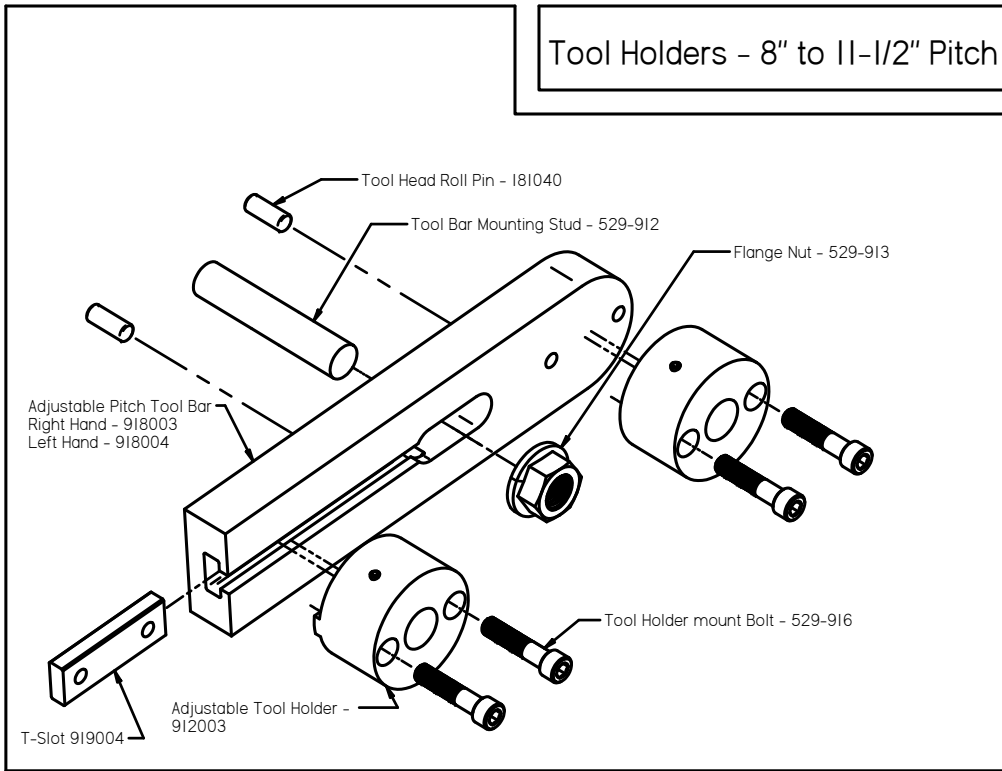


Standard Accessory Items		
PART No.	DESCRIPTION	QTY.
36-0261	Set Screw	4
36-0262	Jam Nut	4
56-0146	Spring	4

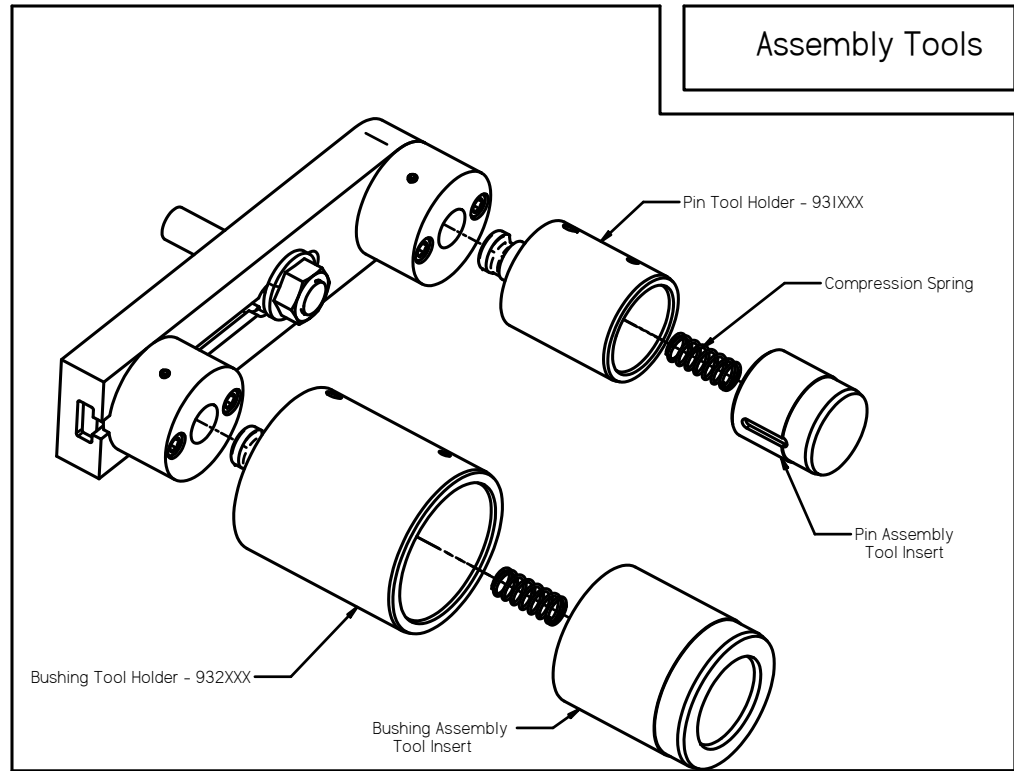
### Disassembly Tools



### Tool Holders - 8" to 11-1/2" Pitch



### Assembly Tools





Engineered to perform. Built to last.

WTC Machinery LLC  
93 Series Tooling  
9-14-2016

MAKE	MODEL	TYPE	PIN DIA.	PIN LENGTH	BUSHING DIA.	BUSHING LENGTH	PITCH	JAW	SIDE PLATES	SHIMS (QTY)	RH TOOL BAR	LH TOOL BAR	ADJ TOOL	STAT TOOL	PIN DISS'Y	BUSHING DISS'Y	PIN HOLDER	PIN INSERT	Pin Assembly	BUSHING HOLDER	BUSHING INSERT	Bushing Assembly	SET SCREW	SPRING	SHIM GROUP	NOTES	WS-200 ToolBar	Tool Kit
CAT	571	SEALED	1.752	9.875	2.621	6.865	7.948	910025	910114 910214	910314 (16)	918003	918004	912003	912004	913012	914012	931040	B1903-057	935012	932041	B1903-142	936015	36-0261	56-0146			93-016	
CAT	572	SEALED	1.752	9.875	2.621	6.865	7.948	910025	910114 910214	910314 (16)	918003	918004	912003	912004	913012	914012	931040	B1903-057	935012	932041	B1903-142	936015	36-0261	56-0146		w/ 5/8 BOLT	93-016	
CAT	572	SEALED	1.752	9.875	2.621	6.865	7.948	910025	910114 910214	910314 (16)	918003	918004	912003	912004	913012	914012	931040	B1903-057	935012	932041	B1903-142	936015	36-0261	56-0146		w/ 3/4 BOLT	93-016	
CAT	572	SEALED	1.752	9.875	2.621	6.865	7.948	910025	910114 910214	910314 (16)	918003	918004	912003	912004	913012	914012	931040	B1903-057	935012	932041	B1903-142	936015	36-0261	56-0146			93-016	
CAT	583	SEALED	1.752	9.875	2.621	6.865	7.948	910025	910114 910214	910314 (16)	918003	918004	912003	912004	913012	914012	931040	B1903-057	935012	932041	B1903-142	936015	36-0261	56-0146		w/ 5/8 BOLT	93-016	
CAT	583	SEALED	1.752	9.875	2.621	6.865	7.948	910025	910114 910214	910314 (16)	918003	918004	912003	912004	913012	914012	931040	B1903-057	935012	932041	B1903-142	936015	36-0261	56-0146		w/ 3/4 BOLT	93-016	
CAT	583	SEALED	1.752	9.875	2.621	6.865	7.948	910025	910114 910214	910314 (16)	918003	918004	912003	912004	913012	914012	931040	B1903-057	935012	932041	B1903-142	936015	36-0261	56-0146			93-016	
CAT	977	SEALED	1.752	9.875	2.621	6.865	7.948	910025	910114 910214	910314 (16)	918003	918004	912003	912004	913012	914012	931040	B1903-057	935012	932041	B1903-142	936015	36-0261	56-0146		w/ 5/8 BOLT	93-016	
CAT	977	SEALED	1.752	9.875	2.621	6.865	7.948	910025	910114 910214	910314 (16)	918003	918004	912003	912004	913012	914012	931040	B1903-057	935012	932041	B1903-142	936015	36-0261	56-0146		w/ 3/4 BOLT	93-016	
CAT	17A	SEALED	1.752	9.875	2.621	6.865	7.948	910025	910114 910214	910314 (16)	918003	918004	912003	912004	913012	914012	931040	B1903-057	935012	932041	B1903-142	936015	36-0261	56-0146			93-016	
CAT	977K	SEALED	1.752	9.875	2.621	6.865	7.948	910025	910114 910214	910314 (16)	918003	918004	912003	912004	913012	914012	931040	B1903-057	935012	932041	B1903-142	936015	36-0261	56-0146			93-016	
CAT	D7	SEALED	1.752	9.875	2.621	6.865	7.948	910025	910114 910214	910314 (16)	918003	918004	912003	912004	913012	914012	931040	B1903-057	935012	932041	B1903-142	936015	36-0261	56-0146		w/ 5/8 BOLT	93-016	
CAT	D7	SEALED	1.752	9.875	2.621	6.865	7.948	910025	910114 910214	910314 (16)	918003	918004	912003	912004	913012	914012	931040	B1903-057	935012	932041	B1903-142	936015	36-0261	56-0146		w/ 3/4 BOLT	93-016	
CAT	D7	SEALED	1.752	9.875	2.621	6.865	7.948	910025	910114 910214	910314 (16)	918003	918004	912003	912004	913012	914012	931040	B1903-057	935012	932041	B1903-142	936015	36-0261	56-0146			93-016	
CAT	D7C	SEALED	1.752	9.875	2.621	6.865	7.948	910025	910114 910214	910314 (16)	918003	918004	912003	912004	913012	914012	931040	B1903-057	935012	932041	B1903-142	936015	36-0261	56-0146		w/ 5/8 BOLT	93-016	
CAT	D7C	SEALED	1.752	9.875	2.621	6.865	7.948	910025	910114 910214	910314 (16)	918003	918004	912003	912004	913012	914012	931040	B1903-057	935012	932041	B1903-142	936015	36-0261	56-0146		w/ 3/4 BOLT	93-016	
CAT	D7C	SEALED	1.752	9.875	2.621	6.865	7.948	910025	910114 910214	910314 (16)	918003	918004	912003	912004	913012	914012	931040	B1903-057	935012	932041	B1903-142	936015	36-0261	56-0146			93-016	
CAT	D7D	SEALED	1.752	9.875	2.621	6.865	7.948	910025	910114 910214	910314 (16)	918003	918004	912003	912004	913012	914012	931040	B1903-057	935012	932041	B1903-142	936015	36-0261	56-0146		w/ 5/8 BOLT	93-016	
CAT	D7D	SEALED	1.752	9.875	2.621	6.865	7.948	910025	910114 910214	910314 (16)	918003	918004	912003	912004	913012	914012	931040	B1903-057	935012	932041	B1903-142	936015	36-0261	56-0146		w/ 3/4 BOLT	93-016	
CAT	D7D	SEALED	1.752	9.875	2.621	6.865	7.948	910025	910114 910214	910314 (16)	918003	918004	912003	912004	913012	914012	931040	B1903-057	935012	932041	B1903-142	936015	36-0261	56-0146			93-016	
CAT	931	SALT	1.129	6.16	1.85	3.71	6.125	800005			918001	918002	912005	91006	913034	914069	931036	B1903-077	935082	932037	B1903-076	936115	36-0261	56-0146			93-019	
CAT	933	SALT	1.129	6.16	1.85	3.71	6.125	800005			918001	918002	912005	91006	913034	914069	931036	B1903-077	935082	932037	B1903-076	936115	36-0261	56-0146			93-019	
CAT	935B	SALT	1.129	6.16	1.85	3.71	6.125	800005			918001	918002	912005	91006	913034	914069	931036	B1903-077	935082	932037	B1903-076	936115	36-0261	56-0146			93-019	
CAT	935C	SALT	1.129	6.16	1.85	3.71	6.125	800005			918001	918002	912005	91006	913034	914069	931036	B1903-077	935082	932037	B1903-076	936115	36-0261	56-0146			93-019	
CAT	D3	SALT	1.129	6.16	1.85	3.71	6.125	800005			918001	918002	912005	91006	913034	914069	931036	B1903-077	935082	932037	B1903-076	936115	36-0261	56-0146			93-019	
CAT	D3B	SALT	1.129	6.16	1.85	3.71	6.125	800005			918001	918002	912005	91006	913034	914069	931036	B1903-077	935082	932037	B1903-076	936115	36-0261	56-0146			93-019	
CAT	D3C	SALT	1.129	6.16	1.85	3.71	6.125	800005			918001	918002	912005	91006	913034	914069	931036	B1903-077	935082	932037	B1903-076	936115	36-0261	56-0146			93-019	
CAT	D4B	SALT	1.129	6.16	1.85	3.71	6.125	800005			918001	918002	912005	91006	913034	914069	931036	B1903-077	935082	932037	B1903-076	936115	36-0261	56-0146			93-019	
CAT	D4C	SALT	1.129	6.16	1.85	3.71	6.125	800005			918001	918002	912005	91006	913034	914069	931036	B1903-077	935082	932037	B1903-076	936115	36-0261	56-0146			93-019	
CAT	D4G	SALT	1.129	6.16	1.85	3.71	6.125	800005			918001	918002	912005	91006	913034	914069	931036	B1903-077	935082	932037	B1903-076	936115	36-0261	56-0146			93-019	
CAT	D4	SEALED	1.314	7	2.119	4.804	6.735	800005	910104 910204		918001	918002	912005	912006	913002	914002	931038	B1903-073	935138	932039	B1903-082	936011	36-0261	56-0146		9/16" Bolt	93-022	
CAT	D4C	SEALED	1.314	7	2.119	4.804	6.735	800005	910104 910204		918001	918002	912005	912006	913002	914002	931038	B1903-073	935138	932039	B1903-082	936011	36-0261	56-0146		9/16" Bolt	93-022	
CAT	D4D	SEALED	1.314	7	2.119	4.804	6.735	800005	910104 910204		918001	918002	912005	912006	913002	914002	931038	B1903-073	935138	932039	B1903-082	936011	36-0261	56-0146		9/16" Bolt	93-022	
CAT	E110B	SEALED	1.319	7.01	1.984	4.78	6.75	800001			918001	918002	912005	912006	913002	914002	931037	B1903-265	935059	932038	B1903-302	936154	36-0261	56-0146			93-023	
CAT	E120B	SEALED	1.319	7.01	1.984	4.78	6.75	800001			918001	918002	912005	912006	913002	914002	931037	B1903-265	935059	932038	B1903-302	936154	36-0261	56-0146			93-023	
CAT	953 HYBRID	SALT	1.44	8.1	2.53	5.12	7.48	800001			918003	918004	912003	912004	913019	914113	931041	B1903-609	935278	932083	B1903-610	936310	36-0261	56-0146			93-047	
CAT	D7	SEALED	1.752	9.875	2.621	6.865	7.948	910025	910114 910214	910314 (16)	918003	918004	912003	912004	913012	914012	931040	B1903-057	935012	932041	B1903-142	936015	36-0261	56-0146			93-016	
CAT	955	SALT	1.753	9.06	2.621	5.783	7.985	910025	910114 910214	910314	918003	918004	912003	912004	913013	914015	931030	B1903-057	935003	932030	B1903-219	936016	36-0261	56-0146			93-020	
CAT	963	SALT	1.753	9.06	2.621	5.783	7.985	910025	910114 910214	910314	918003	918004	912003	912004	913013	914015	931030	B1903-057	935003	932030	B1903-219	936016	36-0261	56-0146			93-020	
CAT	963 HI-RAIL	SALT	1.753	9.06	2.621	5.783	7.985	910025	910114 910214	910314	918003	918004	912003	912004	913013	914015	931030	B1903-057	935003	932030	B1903-219	936016	36-0261	56-0146			93-020	
CAT	D6C	SALT	1.753	9.06	2.621	5.783	7.985	910025	910114 910214	910314	918003	918004	912003	912004	913013	914015	931030	B1903-057	935003	932030	B1903-219	936016	36-0261	56-0146			93-020	



Engineered to perform. Built to last.

WTC Machinery LLC
93 Series Tooling
9-14-2016

Table with columns: MAKE, MODEL, TYPE, PIN DIA., PIN LENGTH, BUSHING DIA., BUSHING LENGTH, PITCH, JAW, SIDE PLATES, SHIMS (QTY), RH TOOL BAR, LH TOOL BAR, ADJ TOOL, STAT TOOL, PIN DISS'Y, BUSHING DISS'Y, PIN HOLDER, PIN INSERT, Pin Assembly, BUSHING HOLDER, BUSHING INSERT, Bushing Assembly, SET SCREW, SPRING, SHIM GROUP, NOTES, WS-200 ToolBar, Tool Kit. Rows include various tool models like 977K, D7, D7C, D7D, 225, 227, 229, 235, 955, 231D, D6C, DCD, FB227, 578, D8N, D8R, D8T, 583R, D8L, D8N, D8R, D8T, 973, 977, 571A, 973 HIGH RAIL, 973LGP, D7, D7E, D7F, D7G, 571, 572, 973, 977, 345B, 571A, D7E, D7F, D7G, 983, D8H, D8K.



Engineered to perform. Built to last.

WTC Machinery LLC
93 Series Tooling
9-14-2016

Table with columns: MAKE, MODEL, TYPE, PIN DIA., PIN LENGTH, BUSHING DIA., BUSHING LENGTH, PITCH, JAW, SIDE PLATES, SHIMS (QTY), RH TOOL BAR, LH TOOL BAR, ADJ TOOL, STAT TOOL, PIN DISS'Y, BUSHING DISS'Y, PIN HOLDER, PIN INSERT, Pin Assembly, BUSHING HOLDER, BUSHING INSERT, Bushing Assembly, SET SCREW, SPRING, SHIM GROUP, NOTES, WS-200 ToolBar, Tool Kit. Rows include CAT, HITACHI, and J.D. models.



Engineered to perform. Built to last.

WTC Machinery LLC  
93 Series Tooling  
9-14-2016

MAKE	MODEL	TYPE	PIN DIA.	PIN LENGTH	BUSHING DIA.	BUSHING LENGTH	PITCH	JAW	SIDE PLATES	SHIMS (QTY)	RH TOOL BAR	LH TOOL BAR	ADJ TOOL	STAT TOOL	PIN DISS'Y	BUSHING DISS'Y	PIN HOLDER	PIN INSERT	Pin Assembly	BUSHING HOLDER	BUSHING INSERT	Bushing Assembly	SET SCREW	SPRING	SHIM GROUP	NOTES	WS-200 ToolBar	Tool Kit
J.D.	550B	SEALED	1.259	6.358	2.008	4.39	6.29	800005			918001	918002	912005	912006	913027	914016	931047	B1903-131	935046	932048	B1903-130	936144	36-0261	56-0146				93-006
J.D.	550G	SEALED	1.259	6.358	2.008	4.39	6.29	800005			918001	918002	912005	912006	913027	914016	931047	B1903-131	935046	932048	B1903-130	936144	36-0261	56-0146				93-006
J.D.	550H	SEALED	1.259	6.358	2.008	4.39	6.29	800005			918001	918002	912005	912006	913027	914016	931047	B1903-131	935046	932048	B1903-130	936144	36-0261	56-0146				93-006
J.D.	550	SEALED	1.376	6.2	2.128	4.24	6.29	800005			918001	918002	912005	912006	913030	914031	931048	B1903-129	935074	932056	B1903-128	936089	36-0261	56-0146				93-005
J.D.	555	SEALED	1.376	6.2	2.128	4.24	6.29	800005			918001	918002	912005	912006	913030	914031	931048	B1903-129	935074	932056	B1903-128	936089	36-0261	56-0146				93-005
J.D.	450C	SEALED	1.376	6.2	2.128	4.24	6.29	800005			918001	918002	912005	912006	913030	914031	931048	B1903-129	935074	932056	B1903-128	936089	36-0261	56-0146				93-005
J.D.	490E	SEALED	1.33	6.7	1.99	4.618	6.73	800001			918001	918002	912005	912006	913027	914016	931044	B1903-573	935166	932045	B1903-572	936226	36-0261	56-0146				93-011
J.D.	EX120-2	SEALED	1.33	6.7	1.99	4.618	6.73	800001			918001	918002	912005	912006	913027	914016	931044	B1903-573	935166	932045	B1903-572	936226	36-0261	56-0146				93-011
J.D.	555G	SALT	1.31	7.24	2.12	4.43	6.734	800001			918001	918002	912005	912006	913020	914091	931045	B1903-258	935089	932046	B1903-259	936168	36-0261	56-0146				93-009
J.D.	650G	SALT	1.31	7.24	2.12	4.43	6.734	800001			918001	918002	912005	912006	913020	914091	931045	B1903-258	935089	932046	B1903-259	936168	36-0261	56-0146				93-009
J.D.	650H	SALT	1.31	7.24	2.12	4.43	6.734	800001			918001	918002	912005	912006	913020	914091	931045	B1903-258	935089	932046	B1903-259	936168	36-0261	56-0146				93-009
J.D.	650J	SALT	1.31	7.24	2.12	4.43	6.734	800001			918001	918002	912005	912006	913020	914091	931045	B1903-258	935089	932046	B1903-259	936168	36-0261	56-0146				93-009
J.D.	490	RECESSED	1.32	6.97	1.99	5	6.75	800001			918001	918002	912005	912006	913027	914016	931048	B1903-129	935074	932047	B1903-277	936096	36-0261	56-0146				93-008
J.D.	690A	RECESSED	1.32	6.97	1.99	5	6.75	800001			918001	918002	912005	912006	913027	914016	931048	B1903-129	935074	932047	B1903-277	936096	36-0261	56-0146				93-008
J.D.	690B	RECESSED	1.32	6.97	1.99	5	6.75	800001			918001	918002	912005	912006	913027	914016	931048	B1903-129	935074	932047	B1903-277	936096	36-0261	56-0146				93-008
J.D.	690C	RECESSED	1.32	6.97	1.99	5	6.75	800001			918001	918002	912005	912006	913027	914016	931048	B1903-129	935074	932047	B1903-277	936096	36-0261	56-0146				93-008
J.D.	690D	RECESSED	1.32	6.97	1.99	5	6.75	800001			918001	918002	912005	912006	913027	914016	931048	B1903-129	935074	932047	B1903-277	936096	36-0261	56-0146				93-008
J.D.	693B	RECESSED	1.32	6.97	1.99	5	6.75	800001			918001	918002	912005	912006	913027	914016	931048	B1903-129	935074	932047	B1903-277	936096	36-0261	56-0146				93-008
J.D.	590D	SEALED	1.378	7.598	2.116	4.819	6.75	800001	910104 910204		918001	918002	912005	912006	913019	914011	931043	B1903-113	935002	932043	B1903-271	936192	36-0261	56-0146				93-013
J.D.	EX150	SEALED	1.378	7.598	2.116	4.819	6.75	800001	910104 910204		918001	918002	912005	912006	913019	914011	931043	B1903-113	935002	932043	B1903-271	936192	36-0261	56-0146				93-013
J.D.	110	SEALED	1.319	7.008	1.984	4.54	6.75	800001			918001	918002	912005	912006	913027	914034	931043	B1903-113	935002	932044	B1903-302	936174	36-0261	56-0146				93-012
J.D.	120	SEALED	1.319	7.008	1.984	4.54	6.75	800001			918001	918002	912005	912006	913027	914034	931043	B1903-113	935002	932044	B1903-302	936174	36-0261	56-0146				93-012
J.D.	135	SEALED	1.319	7.008	1.984	4.54	6.75	800001			918001	918002	912005	912006	913027	914034	931043	B1903-113	935002	932044	B1903-302	936174	36-0261	56-0146				93-012
J.D.	120C	SEALED	1.319	7.008	1.984	4.54	6.75	800001			918001	918002	912005	912006	913027	914034	931043	B1903-113	935002	932044	B1903-302	936174	36-0261	56-0146				93-012
J.D.	490D	SEALED	1.319	7.008	1.984	4.54	6.75	800001			918001	918002	912005	912006	913027	914034	931043	B1903-113	935002	932044	B1903-302	936174	36-0261	56-0146				93-012
J.D.	EX120	SEALED	1.319	7.008	1.984	4.54	6.75	800001			918001	918002	912005	912006	913027	914034	931043	B1903-113	935002	932044	B1903-302	936174	36-0261	56-0146				93-012
J.D.	655	SEALED	1.44	8.11	2.314	5.7	6.909	800001			918001	918002	912005	912006	913019	914032	931041	B1903-115	935042	932042	B1903-281	936145	36-0261	56-0146				93-014
J.D.	750	SEALED	1.44	8.11	2.314	5.7	6.909	800001			918001	918002	912005	912006	913019	914032	931041	B1903-115	935042	932042	B1903-281	936145	36-0261	56-0146				93-014
J.D.	755	SEALED	1.44	8.11	2.314	5.7	6.909	800001			918001	918002	912005	912006	913019	914032	931041	B1903-115	935042	932042	B1903-281	936145	36-0261	56-0146				93-014
J.D.	693D	SEALED	1.44	8.11	2.314	5.7	6.909	800001			918001	918002	912005	912006	913019	914032	931041	B1903-115	935042	932042	B1903-281	936145	36-0261	56-0146				93-014
J.D.	750B	SEALED	1.44	8.11	2.314	5.7	6.909	800001			918001	918002	912005	912006	913019	914032	931041	B1903-115	935042	932042	B1903-281	936145	36-0261	56-0146				93-014
J.D.	755B	SEALED	1.44	8.11	2.314	5.7	6.909	800001			918001	918002	912005	912006	913019	914032	931041	B1903-115	935042	932042	B1903-281	936145	36-0261	56-0146				93-014
J.D.	JD700HLGP	SEALED	1.44	8.11	2.44	5.7	6.909	800001			918001	918002	912005	912006	913019	914032	931041	B1903-115	935042	932042	B1903-281	936145	36-0261	56-0146				93-014
J.D.	750	SALT	1.44	8.11	2.31	5.218	6.9909								913008	914032	931041	B1903-115	935042	932042	B1903-280	936162	36-0261	56-0146				935015
J.D.	750J	SALT	1.5	9.39	2.55	5.3	7.48				918001	918002	912001	912002	913019	914113	931034	B1903-375	935080	932035	B1903-376	936242	36-0261	56-0146				93-031
J.D.	850	SALT	1.753	9.06	2.621	5.79	7.984	910025	910114 910214	910314	918001	918002	912003	912004	913013	914015	931039	B1903-117	935106	932030	B1903-219	936016	36-0261	56-0146				93-032
J.D.	755A	SALT	1.753	9.06	2.621	5.79	7.984	910025	910114 910214	910314	918001	918002	912003	912004	913013	914015	931039	B1903-117	935106	932030	B1903-219	936016	36-0261	56-0146				93-032
J.D.	755B	SALT	1.753	9.06	2.621	5.79	7.984	910025	910114 910214	910314	918001	918002	912003	912004	913013	914015	931039	B1903-117	935106	932040	B1903-118	936016	36-0261	56-0146				93-032
J.D.	850B	SALT	1.753	9.06	2.621	5.79	7.984	910025	910114 910214	910314	918001	918002	912003	912004	913013	914015	931039	B1903-117	935106	932040	B1903-118	936016	36-0261	56-0146				93-032
J.D.	850C	SALT	1.753	9.06	2.621	5.79	7.984	910025	910114 910214	910314	918001	918002	912003	912004	913013	914015	931039	B1903-117	935106	932040	B1903-118	936016	36-0261	56-0146				93-032
J.D.	850J	SALT	1.75	10.31	2.75	5.88	8	910025	910114 910214	910314	918003	918004	912003	912004	913063	914015	931033	B1903-377	935175	932034	B1903-378	936240	36-0261	56-0146				93-033
J.D.	1050C		2	10.31	3	6.38	8.5	910024	910108 910208		918003	918004	912003	912004	913045	914108	931035	B1903-380		932036	B1903-380		36-0261	56-0146				935034
J.D.	1050K	SALT	1.878	9.921	2.938	6.405	8.5	910024	910108	910208	918003	918004	912003	912004	913011	914001	B1903-090	935102	935102	932072	B1903-520	936302	36-0261	56-0150				
KOM																												



Engineered to perform. Built to last.

WTC Machinery LLC  
93 Series Tooling  
9-14-2016

MAKE	MODEL	TYPE	PIN DIA.	PIN LENGTH	BUSHING DIA.	BUSHING LENGTH	PITCH	JAW	SIDE PLATES	SHIMS (QTY)	RH TOOL BAR	LH TOOL BAR	ADJ TOOL	STAT TOOL	PIN DISS'Y	BUSHING DISS'Y	PIN HOLDER	PIN INSERT	Pin Assembly	BUSHING HOLDER	BUSHING INSERT	Bushing Assembly	SET SCREW	SPRING	SHIM GROUP	NOTES	WS-200 ToolBar	Tool Kit
KOM	D31-16	SALT	1.102	6.69	1.85	3.63	6.06	800005			918003	918004	912005	912006	913034	914083	931032	B1903-172	935058	932032	B1903-175	936143	36-0261	56-0146			93-035	
KOM	D31E	SALT	1.102	6.69	1.85	3.63	6.06	800005			918003	918004	912005	912006	913034	914083	931032	B1903-172	935058	932032	B1903-175	936143	36-0261	56-0146			93-035	
KOM	D31P	SALT	1.102	6.69	1.85	3.63	6.06	800005			918003	918004	912005	912006	913034	914083	931032	B1903-172	935058	932032	B1903-175	936143	36-0261	56-0146			93-035	
KOM	D31P-20	SALT	1.102	6.69	1.85	3.63	6.06	800005			918003	918004	912005	912006	913034	914083	931032	B1903-172	935058	932032	B1903-175	936143	36-0261	56-0146			93-035	
KOM	D31PL	SALT	1.102	6.69	1.85	3.63	6.06	800005			918003	918004	912005	912006	913034	914083	931032	B1903-172	935058	932032	B1903-175	936143	36-0261	56-0146			93-035	
KOM	D31PLL	SALT	1.102	6.69	1.85	3.63	6.06	800005			918003	918004	912005	912006	913034	914083	931032	B1903-172	935058	932032	B1903-175	936143	36-0261	56-0146			93-035	
KOM	D31PX	SALT	1.102	6.69	1.85	3.63	6.06	800005			918003	918004	912005	912006	913034	914083	931032	B1903-172	935058	932032	B1903-175	936143	36-0261	56-0146			93-035	
KOM	D31S	SALT	1.102	6.69	1.85	3.63	6.06	800005			918003	918004	912005	912006	913034	914083	931032	B1903-172	935058	932032	B1903-175	936143	36-0261	56-0146			93-035	
KOM	D37	SALT	1.102	6.69	1.85	3.63	6.06	800005			918003	918004	912005	912006	913034	914083	931032	B1903-172	935058	932032	B1903-175	936143	36-0261	56-0146			93-035	
KOM	D37E	SALT	1.102	6.69	1.85	3.63	6.06	800005			918003	918004	912005	912006	913034	914083	931032	B1903-172	935058	932032	B1903-175	936143	36-0261	56-0146			93-035	
KOM	D37P	SALT	1.102	6.69	1.85	3.63	6.06	800005			918003	918004	912005	912006	913034	914083	931032	B1903-172	935058	932032	B1903-175	936143	36-0261	56-0146			93-035	
KOM	PC120-1	SEALED	1.181	6.535	1.819	3.713	6.062	800005			918001	918002	912005	912006	913031	914035	931026	B1903-505		931026	B1903-581		36-0261	56-0146			935036	
KOM	PC120-2	SEALED	1.181	6.535	1.819	3.713	6.062	800005			918001	918002	912005	912006	913031	914035	931026	B1903-505	935110	931026	B1903-581	936011	36-0261	56-0146			935036	
KOM	PC120-3	SEALED	1.181	6.535	1.819	3.713	6.062	800005			918001	918002	912005	912006	913031	914035	931026	B1903-505		931026	B1903-581		36-0261	56-0146			935036	
KOM	PC100	SEALED	1.181	6.811	1.811	3.712	6.063	800005			918001	918002	912005	912006	913031	914119	931027	B1903-173	935126	932027	B1903-177	936190	36-0261	56-0146			93-037	
KOM	PC120	SEALED	1.181	6.811	1.811	3.712	6.063	800005			918001	918002	912005	912006	913031	914119	931027	B1903-173	935126	932027	B1903-177	936190	36-0261	56-0146			93-037	
KOM	PC80	SEALED	1.181	6.811	1.811	3.712	6.063	800005			918001	918002	912005	912006	913031	914119	931027	B1903-173	935126	932027	B1903-177	936190	36-0261	56-0146			935037	
KOM	D40	SALT	1.377	7.13	2.043	5.19	6.89	800001			918001	918002	912001	912002	913032	914073	931015	B1903-499	935060	932015	B1904-500	936165	36-0261	56-0146			93-038	
KOM	D50	SALT	1.377	7.13	2.043	5.19	6.89	800001			918001	918002	912001	912002	913032	914073	931015	B1903-499	935060	932015	B1904-500	936165	36-0261	56-0146			93-038	
KOM	D53	SALT	1.377	7.13	2.043	5.19	6.89	800001			918001	918002	912001	912002	913032	914073	931015	B1903-499	935060	932015	B1904-500	936165	36-0261	56-0146			93-038	
KOM	D58	SALT	1.377	7.13	2.043	5.19	6.89	800001			918001	918002	912001	912002	913032	914073	931015	B1903-499	935060	932015	B1904-500	936165	36-0261	56-0146			93-038	
KOM	D63E	SALT	1.377	7.13	2.043	5.19	6.89	800001			918001	918002	912001	912002	913032	914073	931015	B1903-499	935060	932015	B1904-500	936165	36-0261	56-0146			93-038	
KOM	PC100	SEALED	1.18	6.81	1.82	3.41	6.89	800001			918001	918002	912001	912002	913004	914138	931020	B1903-505	935161	932020	B1903-506	936221	36-0261	56-0146			93-039	
KOM	PC100-6	SEALED	1.18	6.81	1.82	3.41	6.89	800001			918001	918002	912001	912002	913004	914138	931020	B1903-505	935161	932020	B1903-506	936221	36-0261	56-0146			93-039	
KOM	PC120	SEALED	1.18	6.81	1.82	3.41	6.89	800001			918001	918002	912001	912002	913004	914138	931020	B1903-505	935161	932020	B1903-506	936221	36-0261	56-0146			93-039	
KOM	PC120LC-6	SEALED	1.18	6.81	1.82	3.41	6.89	800001			918001	918002	912001	912002	913004	914138	931020	B1903-505	935161	932020	B1903-506	936221	36-0261	56-0146			93-039	
KOM	PC130-6	SEALED	1.18	6.81	1.82	3.41	6.89	800001			918001	918002	912001	912002	913004	914138	931020	B1903-505	935161	932020	B1903-506	936221	36-0261	56-0146			93-039	
KOM	PC138	SEALED	1.18	6.81	1.82	3.41	6.89	800001			918001	918002	912001	912002	913004	914138	931020	B1903-505	935161	932020	B1903-506	936221	36-0261	56-0146			93-039	
KOM	PC200	SEALED	1.496	8.661	2.165	5.453	7.48	800001			918001	918002	912001	912002	913032	914071	931015	B1903-499	935060	932021	B1903-189	936086	36-0261	56-0146			93-040	
KOM	PC200-6	SEALED	1.496	8.661	2.165	5.453	7.48	800001			918001	918002	912001	912002	913032	914071	931015	B1903-499	935060	932021	B1903-189	936086	36-0261	56-0146			93-040	
KOM	PC200-7	SEALED	1.496	8.661	2.165	5.453	7.48	800001			918001	918002	912001	912002	913032	914071	931021	B1903-187	935060	932021	B1903-189	936086	36-0261	56-0146			93-040	
KOM	PC200-8	SEALED	1.496	8.661	2.165	5.453	7.48	800001			918001	918002	912001	912002	913032	914071	931021	B1903-187	935060	932021	B1903-189	936086	36-0261	56-0146			93-040	
KOM	PC220	SEALED	1.496	8.661	2.165	5.453	7.48	800001			918001	918002	912001	912002	913032	914071	931021	B1903-187	935060	932021	B1903-189	936086	36-0261	56-0146			93-040	
KOM	PC240LC-6	SEALED	1.496	8.661	2.165	5.453	7.48	800001			918001	918002	912001	912002	913032	914071	931021	B1903-187	935060	932021	B1903-189	936086	36-0261	56-0146			93-040	
KOM	PC300	SALT	1.75	9.53	2.618	6.08	8	910025	910114 910214	910314	918003	918004	912003	912004	913013	914015	931022	B1903-192	935097	932022	B1903-196	936118	36-0261	56-0146			93-041	
KOM	PC300	SEALED	1.76	9.53	2.618	6.26	8	610025			918003	918004	912003	912004	913063	914012	931019	B1903-192	935076	932019	B1903-196	936279	36-0261	56-0146			93-042	
KOM	D75	SALT	1.85	10	2.803	6.29	8.5	910024	910108 910208		918003	918004	912003	912004	913012	914006	931028	B1903-199	935096	932033	B1903-200	936138	36-0261	56-0146		C-Style on WS200	93-043	
KOM	D80	SALT	1.85	10	2.803	6.29	8.5	910024	910108 910208		918003	918004	912003	912004	913012	914006	931028	B1903-199	935096	932033	B1903-200	936138	36-0261	56-0146		C-Style on WS200	93-043	
KOM	D85	SALT	1.85	10	2.803	6.29	8.5	910024	910108 910208		918003	918004	912003	912004	913012	914006	931028	B1903-199	935096	932033	B1903-200	936138	36-0261	56-0146		C-Style on WS200	93-043	
KOM	D85PX	SALT	1.85	10	2.803	6.29	8.5	910024	910108 910208		918003	918004	912003	912004	913012	914006	931028	B1903-199	935096	932033	B1903-200	936138	36-0261	56-0146		C-Style on WS200	93-043	
KOM	D85PX-15	SALT	1.85	10	2.803	6.29	8.5	910024	910108 910208		918003	918004	912003	912004	913012	914006	931028	B1903-199	935096	932033	B1903-200	936138	36-0261	56-0146		C-Style on WS200	93-043	
KOM	D95	SALT	1.85	10	2.803	6.29	8.5	910024	910108 910208		918003	918004	912003	912004	913012	914006	931028	B1903-199	935096	932033	B1903-200	936138	36-0261	56-0146		C-Style on WS200	93-043	
KOM	PC400-3	SEALED	1.8425	10	2.925	6.476	8.5039	910024	910112 910212	910312	918003	918004	912003	912004	913012	914081	931028	B1903-199	935096	932025	B1903-583	936119	36-0261	56-0146		C-Style on WS200	935044	
KOM	PC400-5	SEALED	1.8425	10	2.925	6.476	8.5039	910024	910112 910212	910312	918003	918004																



Engineered to perform. Built to last.

WTC Machinery LLC  
93 Series Tooling  
9-14-2016

MAKE	MODEL	TYPE	PIN DIA.	PIN LENGTH	BUSHING DIA.	BUSHING LENGTH	PITCH	JAW	SIDE PLATES	SHIMS (QTY)	RH TOOL BAR	LH TOOL BAR	ADJ TOOL	STAT TOOL	PIN DISS'Y	BUSHING DISS'Y	PIN HOLDER	PIN INSERT	Pin Assembly	BUSHING HOLDER	BUSHING INSERT	Bushing Assembly	SET SCREW	SPRING	SHIM GROUP	NOTES	WS-200 ToolBar	Tool Kit							
KOM	PC400 EX	SEALED	1.85	10	2.79	6.476	8.504	910024																											
KOM	PC300HD-6	SEALED	1.85	9.92	2.8	6.47	9	910016	910108 910208	910308	918003	918004	912003	912004	913064	914103	931024	B1903-507	935232	932024	B1903-585	936246	36-0261	56-0146				C-Style on WS200	935045						
KOM	PC600-6		1.92	11.41	2.87	7.9	9		C-Style Required																										
KOM	PC600-7		1.92	11.41	2.87	7.9	9		C-Style Required																										
KOM	PC600LC-6		1.92	11.41	2.87	7.9	9		C-Style Required																										
KOM	PC600LC-7		1.92	11.41	2.87	7.9	9		C-Style Required																										
KOM	D275A-2	SALT	2.244	12.614	3.622	8.195	10.25		C-Style Required																										
KOM	D375	SALT	2.244	12.614	3.622	8.195	10.25	910042	C-Style Required																										
KOM	D375-2	SALT	2.244	12.614	3.622	8.195	10.25	910042	C-Style Required																										
KOM	D375-3	SALT	2.244	12.614	3.622	8.195	10.25	910042	C-Style Required																										
KOM	D375A-1	SALT	2.244	12.614	3.622	8.195	10.25	910042	C-Style Required																										
KOM	PC1000	SALT	2.244	12.614	3.622	8.744	10.25	910042	C-Style Required																										
KOM	PC1000-1	SALT	2.244	12.614	3.622	8.195	10.25	910042	C-Style Required																										
KOM	PC1000SE-1	SALT	2.244	12.614	3.622	8.195	10.25	910042	C-Style Required																										
KOM	PC600	SEALED	2.185	12.614	3.445	8.504	10.25		C-Style Required																										
KOM	PC8550-5	SEALED	2.185	12.614	3.445	8.504	10.25		C-Style Required																										
KOM	PC700	SEALED	2.185	12.614	3.445	8.504	10.25		C-Style Required																										
KOM	PC710	SEALED	2.185	12.614	3.445	8.504	10.25		C-Style Required																										
KOM	PC750SE-6	SEALED	2.185	12.614	3.445	8.504	10.25		C-Style Required																										
KOM	PC800	SEALED	2.185	12.614	3.445	8.504	10.25		C-Style Required																										
KOM	PC1100LC-6	DRY TRACK	2.36	12.77	3.87	8.88	11.03		C-Style Required																										
KOM	PC1100LC-6	DRY TRACK	2.36	12.77	3.87	8.88	11.03		C-Style Required																										
KOM	PC1100SP-6	DRY TRACK	2.36	12.77	3.87	8.88	11.03		C-Style Required																										
KOM	D375A-2	SALT	2.362	12.772	3.878	8.366	11.035	910028	C-Style Required																										
KOM	D375A-3	SALT	2.362	12.772	3.878	8.366	11.035	910028	C-Style Required																										
KOM	D475	SALT	2.756	14.449	4.449	9.606	12.5	910005	C-Style Required																										
KOM	D575A-2	SALT	2.913	17.323	4.961	10.669	12.5	910005	C-Style Required																										
KOM	D575A-2	SALT	2.913	17.323	4.961	10.669	12.5	910005	C-Style Required																										