



WTC MACHINERY Engineered to perform. Built to last.

WTC Machinery is a global leader in designing and building machinery and tooling for heavy equipment repair facilities.

HCRS-1C



Overview

The HCRS-1C Hydraulic Cylinder Repair Stand provides a stable platform for disassembling, servicing and reassembling hydraulic cylinders. The HCRS-1C provides hydraulic assist to remove and reinstall the piston assembly, and a full set of clamps and supports to safely service only rod eye hydraulic cylinders.

Using the self-contained hydraulic system, the HCRS-1C removes and re-installs piston keeper nuts with torque up to 20,000 ft-lbs (27,100 N-m), and removes and installs piston rods with a force up to 28,860 lbs.

Specifications:

Maximum Cylinder Weight:	8000 lbs (3650 kg)
Maximum Barrel Diameter:	20 in (0.76 m)
Maximum Cylinder Length:	120 in (3.04 m) ***Unlimited with extensions***
Maximum Rod Eye Width:	8.8 in (225 mm)
Maximum Piston Nut (Across Flats):	6.3 in (162 mm)
Piston Extraction / Insertion Force:	14,000 lbs (6560 kg-f)
Maximum Torque:	20,000 lb-ft (27,100 N-m)

Electrical

Power Requirements:	2 Hp (1.5 kW)
Standard Voltages:	120/60, 220/50, 230/60 Single-Phase



HCRS-1C Specifications

DIMENSIONS

Weight3500 lbs (1600 kg) Length..... 235 inches (6,00 m)
 Width 39 inches (1,00 m) Height 55 inches (1,40 m)

HYDRAULIC

Maximum Pressure 3000 p.s.i. (206 bar)
 Maximum Flow 1.0 gpm (3.8 lpm)

ELECTRICAL 2 Hp (1.5 kW) 1 Phase Electric

Standard Voltages:

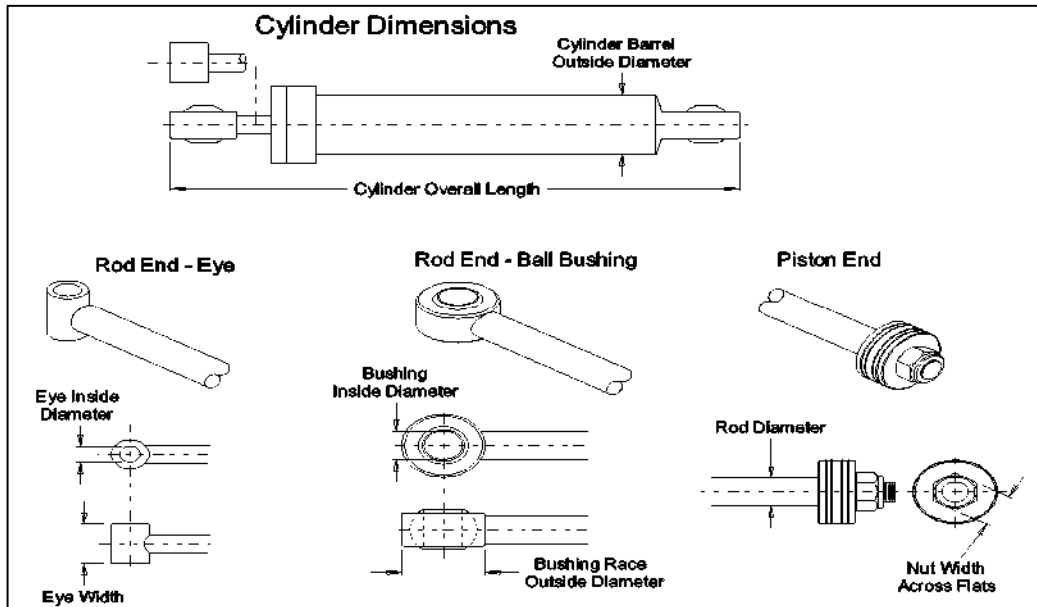
<u>50 Hz</u>	<u>60 Hz</u>
220 V / 11.5 A	230 V / 9.5 A
110 V / 22.5 A	120 V / 19.0 A

TORQUING CAPACITY 20,000 Foot-Pounds (27100 N-m)

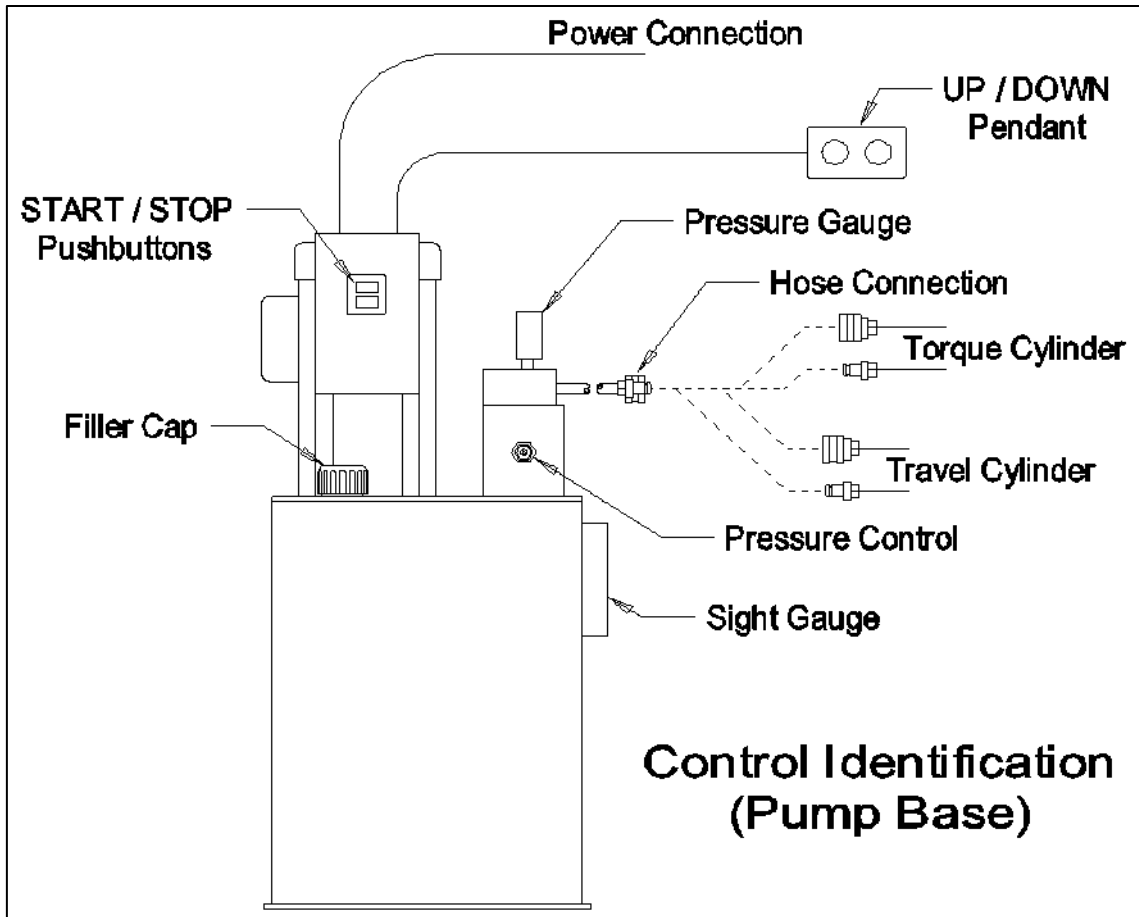
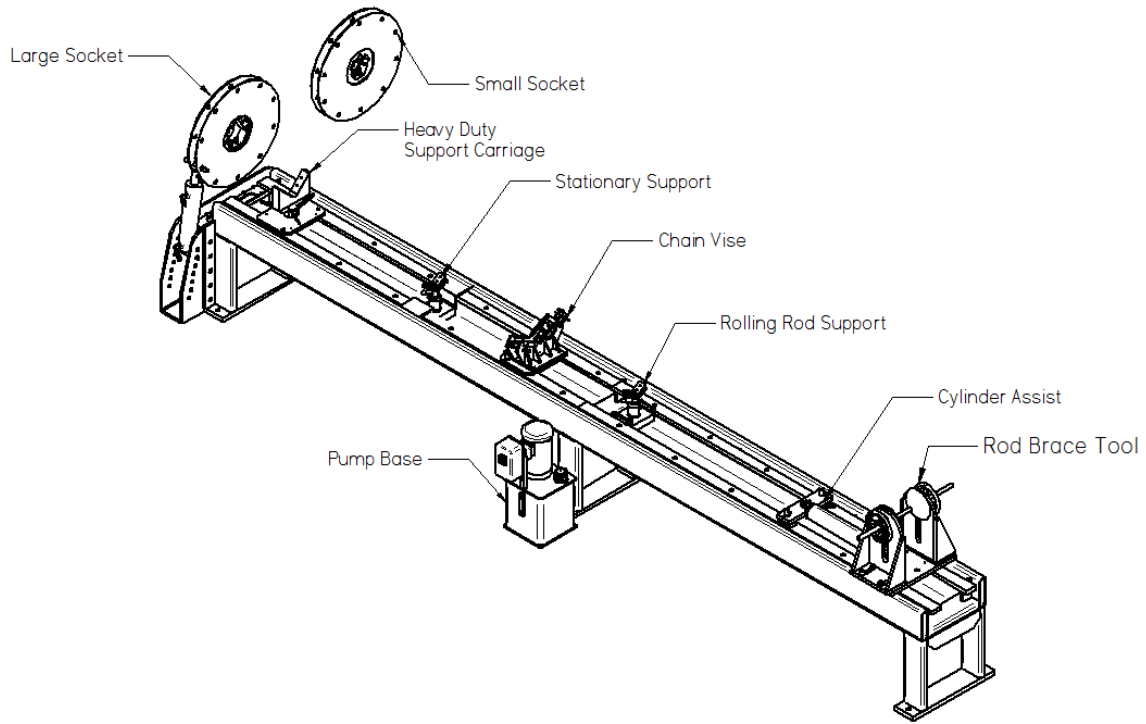
EXTRACT / INSERT FORCE 20,400 Pounds (9270 kg-F) Extract / 24,900 Pounds (11320 kg-F) Insert

CAPACITY - MAXIMUM / MINIMUM CYLINDER SPECIFICATIONS

Weight< 8000 lbs (3650 kg) Cylinder Barrel Diameter 20 inches (,76 m)
 Overall Length...<120 inches (3,04 m) unlimited with extensions
 Bushing Inside Dia.....> 1-1/2 inches (38 mm)
 Rod Eye Width...< 8-7/8 inches (225 mm) Rod Eye Inside Dia.....> 1-1/2 inches (38 mm)
 Piston Nut Width (Across Flats) ... < 6-3/8" (162 mm)



SPECIFICATIONS SUBJECT TO CHANGE WITHOUT NOTICE





WTC Machinery is a global leader in designing and building machinery and tooling for heavy equipment repair facilities.

WTC MACHINERY

Engineered to perform. Built to last.

HCRS-1C



HEAVY DUTY SUPPORT CARRIAGE



CHAIN VISE



STATIONARY SUPPORT



ROLLING ROD SUPPORT



ROD BRACE TOOL



PUMP BASE



HCRS 1C CYLINDER REPAIR BENCH

CONTACT WTC MACHINERY FOR MORE INFORMATION:

800-248-8405 (US)

262-567-3993 (Intl)

FX: 262-567-4307

Email: Sales@WTCMachinery.com