

## SECTION 6 –Tooling

**! WARNING!**

*Only trained personnel familiar with operation should use the FP100.  
Always make sure the FP100 tools are in good condition and aligned and centered with track components before pressing.  
Always wear eye protection when operating the FP100.*

**! CAUTION!**

*Track condition affects the disassembly force, and some track models may exceed the capacity of the FP100.  
It is the operator's responsibility to determine whether the FP100 is adequate for a particular track.*

The Tool Chart (starting on page 13) show the correct tooling for most crawler track models. For track models not listed, the drawing (below) shows the size ranges for Forcing Pins, Pin Adapters and Backing Bushing. See [www.WTCmachinery.com](http://www.WTCmachinery.com) for updated to tool charts.

FP100LPG	Large Pin Group	1-3, 19-21, 25	1.80" to 2.56" (45,7 to 65,1 mm)
FP100MPG	Medium Pin Group	3-7, 15-18, 24	1.30" to 1.81" (33,0 to 46,0 mm)
FP100SPG	Small Pin Group	7-11, 12-14, 23	0.75" to 1.31" (19,1 to 33,2 mm)
PART NO.	DESCRIPTION	ITEMS INCLUDED	PIN SIZE RANGE

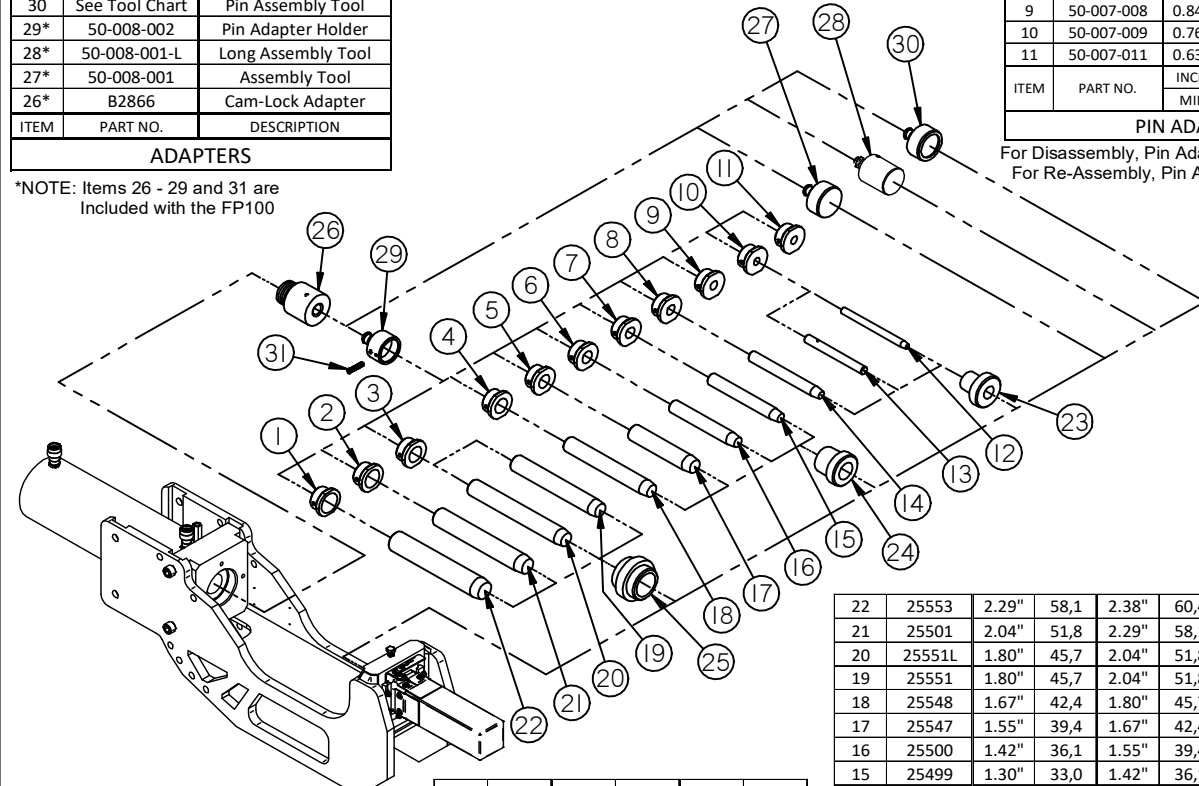
ITEM	PART NO.	INCH		MM	
		MIN PIN DIA.	MAX. PIN DIA.	MIN PIN DIA.	MAX. PIN DIA.
1	50-007-001	1.97"	50,0	2.22"	56,3
2	50-007-002	1.72"	43,6	1.97"	50,0
3	50-007-003	1.60"	40,7	1.72"	43,6
4	50-007-010	1.47"	37,3	1.60"	40,7
5	50-007-004	1.34"	34,1	1.47"	37,3
6	50-007-005	1.22"	30,9	1.34"	34,1
7	50-007-006	1.09"	27,7	1.22"	30,9
8	50-007-007	0.94"	23,8	1.09"	27,7
9	50-007-008	0.84"	21,4	0.94"	23,8
10	50-007-009	0.76"	19,3	0.84"	21,4
11	50-007-011	0.63"	15,9	0.76"	19,3

**BASIC PIN GROUPS**

31*	529-522	Pin Locking Bolt
30	See Tool Chart	Pin Assembly Tool
29*	50-008-002	Pin Adapter Holder
28*	50-008-001-L	Long Assembly Tool
27*	50-008-001	Assembly Tool
26*	B2866	Cam-Lock Adapter
ITEM	PART NO.	DESCRIPTION

**ADAPTERS**

\*NOTE: Items 26 - 29 and 31 are included with the FP100



For Disassembly, Pin Adapters hold Forcing Pins  
For Re-Assembly, Pin Adapters hold Track Pins

ITEM	PART NO.	INCH		MM	
		MIN PIN DIA.	MAX. PIN DIA.	MIN PIN DIA.	MAX. PIN DIA.
25	A3541	1.81"	46,0	2.56"	65,1
24	A3540	1.31"	33,3	1.81"	46,0
23	A3539	0.36"	16,0	1.31"	33,3

**BACKING BUSHINGS**

Backing Bushings Support the Track Chain for Disassembly and Re-Assembly

ITEM	PART NO.	INCH		MM		ITEM	PART NO.
		MIN PIN DIA.	MAX. PIN DIA.	MIN PIN DIA.	MAX. PIN DIA.		
22	25553	2.29"	58,1	2.38"	60,4	1	50-007-001
21	25501	2.04"	51,8	2.29"	58,1	2	50-007-002
20	25551L	1.80"	45,7	2.04"	51,8	3	50-007-003
19	25551	1.80"	45,7	2.04"	51,8	3	50-007-003
18	25548	1.67"	42,4	1.80"	45,7	4	50-007-010
17	25547	1.55"	39,4	1.67"	42,4	5	50-007-004
16	25500	1.42"	36,1	1.55"	39,4	6	50-007-005
15	25499	1.30"	33,0	1.42"	36,1	7	50-007-006
14	25498	1.17"	29,7	1.30"	33,0	8	50-007-007
13	200281	0.90"	22,9	1.17"	29,7	9	50-007-008
12	25503	0.75"	16,0	0.90"	22,9	10	50-007-009

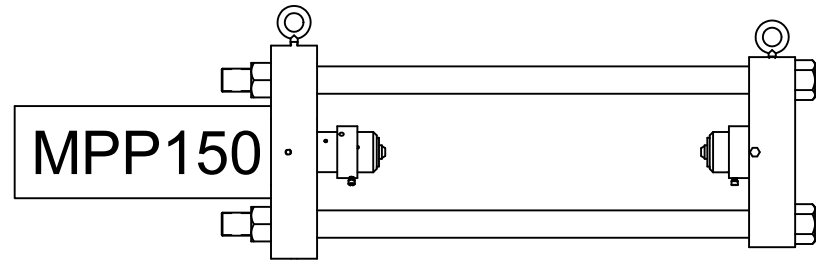
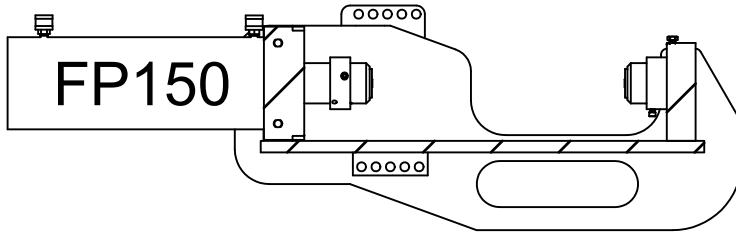
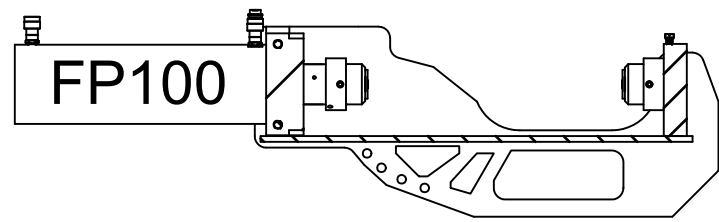
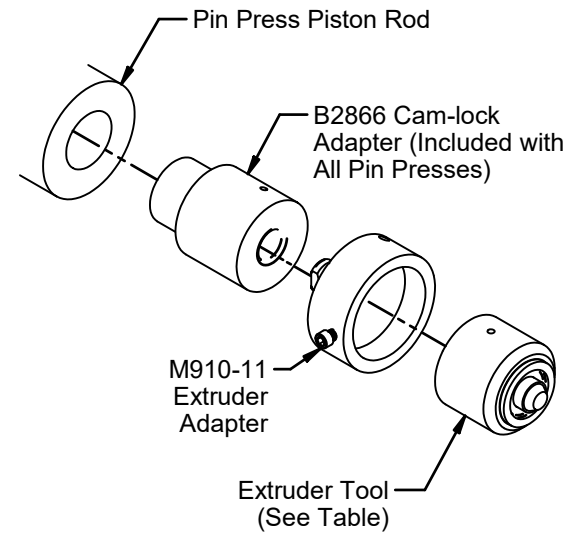
**FORCING PINS**

For Disassembly, Forcing Pins push the Track Pin  
For Re-Assembly, Forcing Pins hold the Links Aligned

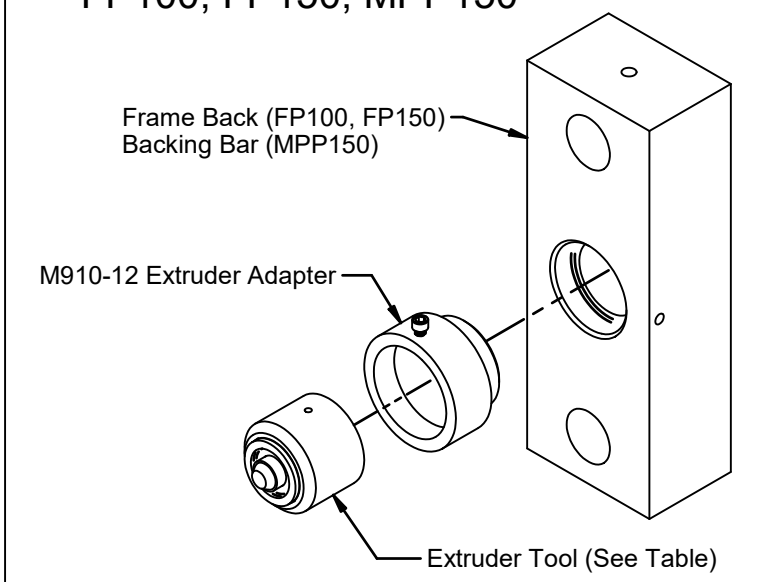
Move Cylinder to Back Position  
When working Large Track

# FP100 Tooling

**CYLINDER-SIDE ADAPTERS  
ALL MODELS**



**BACK-SIDE ADAPTERS  
FP100, FP150, MPP150**

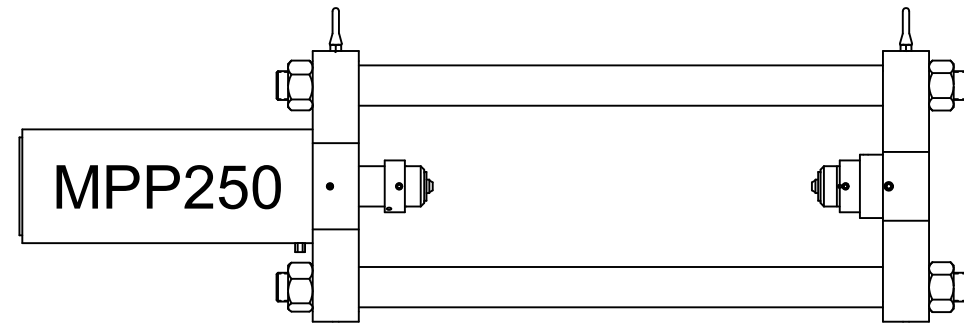
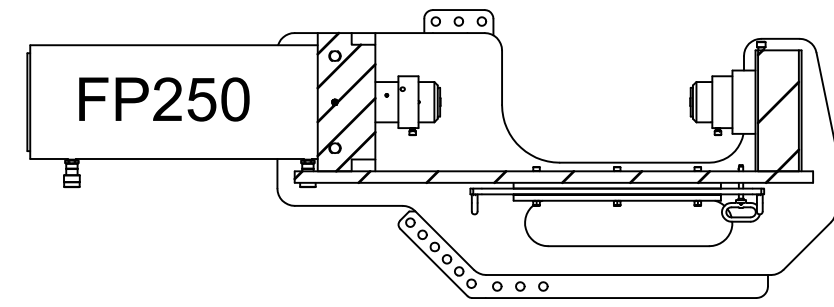


TRACK	CATERPILLAR PPR EXTRUDER TOOL	BERCO BPR2 EXTRUDER TOOL
D8N/R/T	M910-010	M910-010B
D9N/R/T	M910-1	M910-1B
D10 /N/R/T	M910-2*	M910-2B*
D11N/R/T	M910-3**	M910-3B**

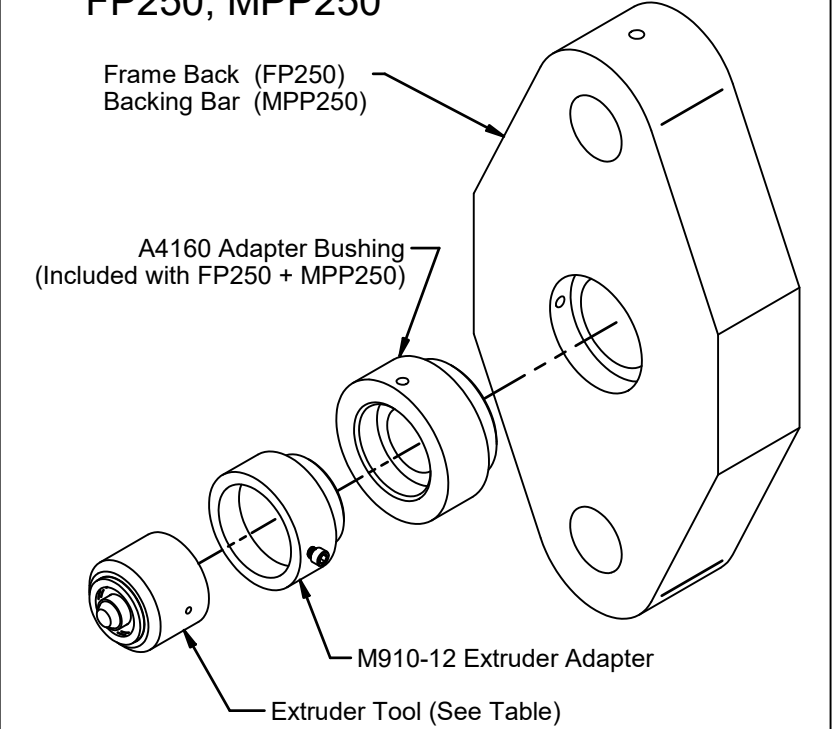
Note: Extruder Tools Sold Individually - 2 Required

\* - Exceeds FP100 Capacity

\*\* - Exceeds FP100, FP150 and MPP150 Capacity



**BACK-SIDE ADAPTERS  
FP250, MPP250**



**WTC Machinery, LLC**

W1222 LINDEN ROAD  
IXONIA, WISCONSIN 53036 USA

TOLERANCES UNLESS OTHERWISE SPECIFIED

FABRICATED DIMENSIONS +/- 1/16  
FRACTIONAL DIMENSIONS +/- 1/64  
DECIMAL DIMENSIONS +/- .010  
INSIDE RADII 1/32  
ANGULAR DIMENSIONS +/- 1/2  
SURFACE FINISH 125

THIS DRAWING IS THE PROPERTY OF WTC MACHINERY LLC  
DO NOT USE, DISTRIBUTE OR COPY WITHOUT EXPRESS PERMISSION

BREAK ALL SHARP EDGES  
DO NOT SCALE DRAWING

NEXT ASSEMBLY

FP / MPP Portable Pin Presses

USED ON

Caterpillar PPR Track Chains

TITLE

**Caterpillar PPR Tracks  
Pin Press Extruder Tools and Adapters**

SHEET

DATE

22.05.10

SIZE

B

DRAWING NUMBER

FP/MPP-ETA

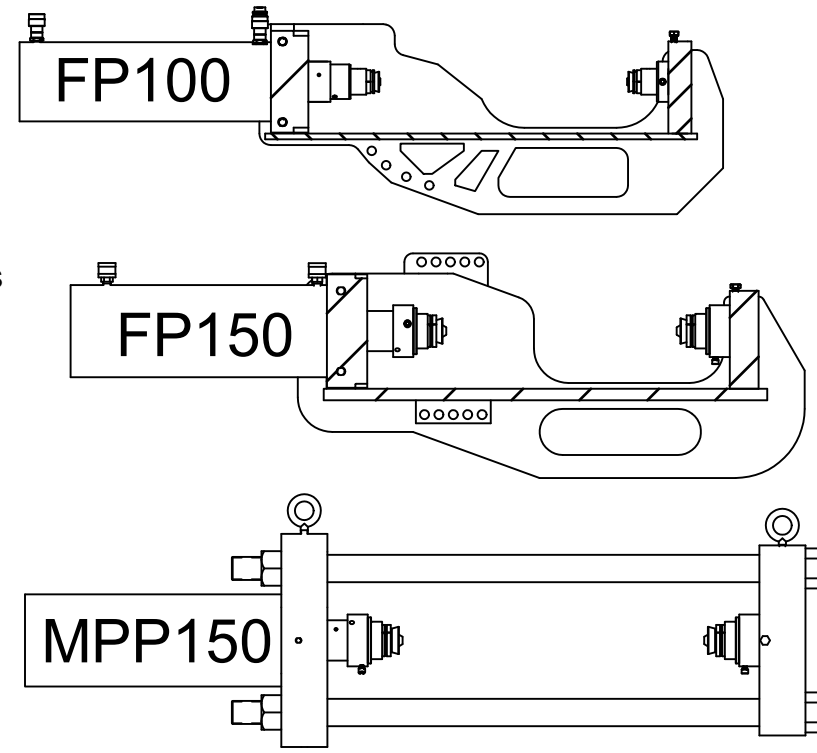
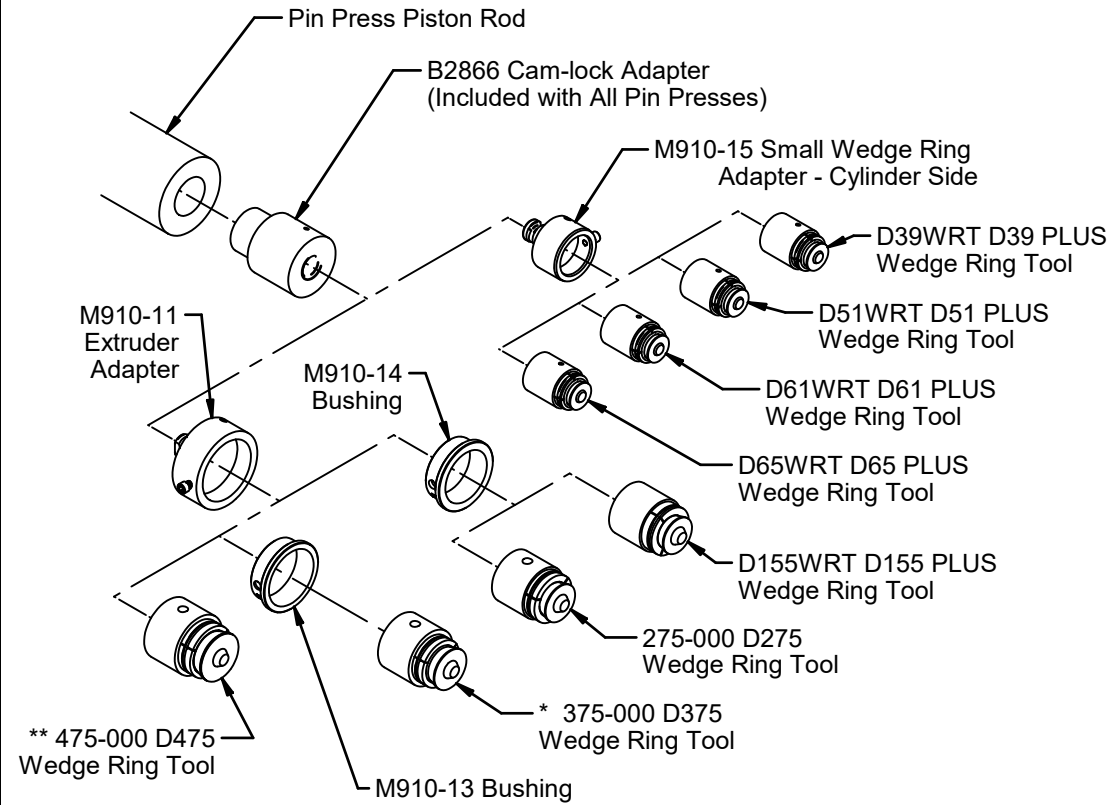
REV

A

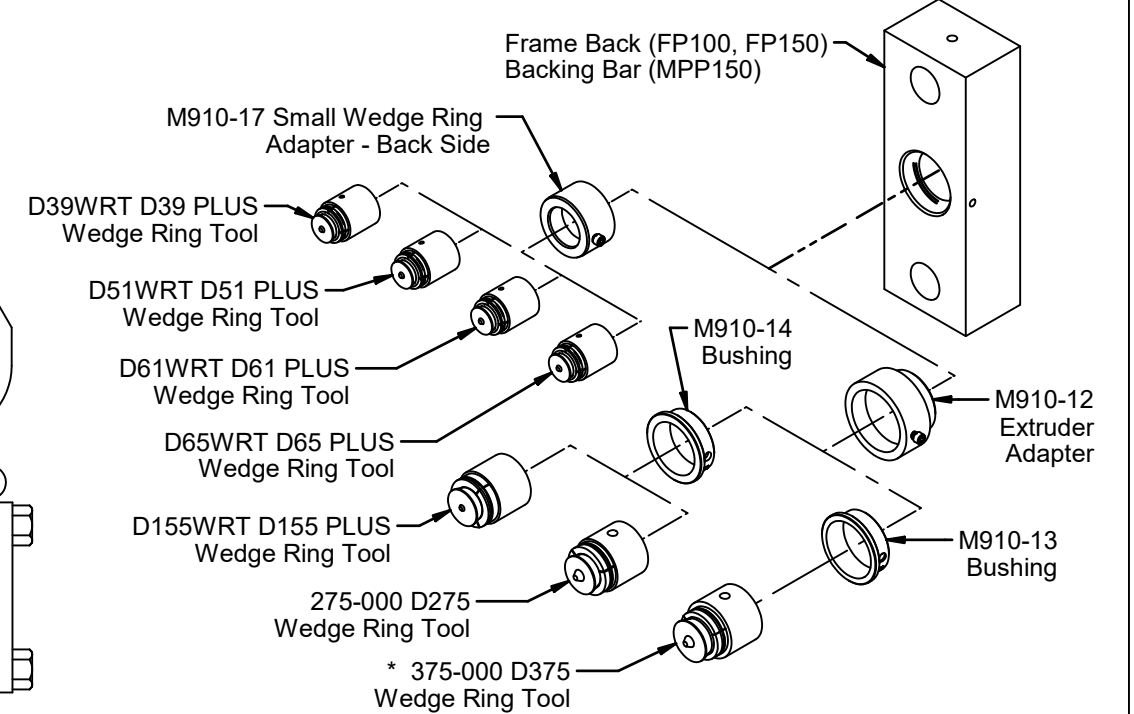
DRAWN  
Solid Edge

WGT  
N/A

### CYLINDER-SIDE ADAPTERS - ALL MODELS



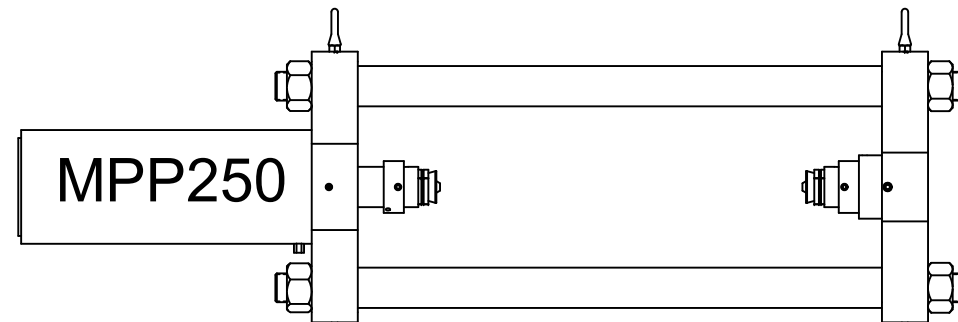
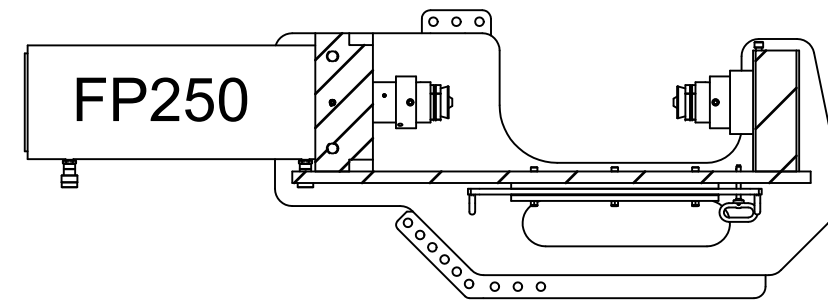
### BACK-SIDE ADAPTERS - FP100, FP150, MPP150



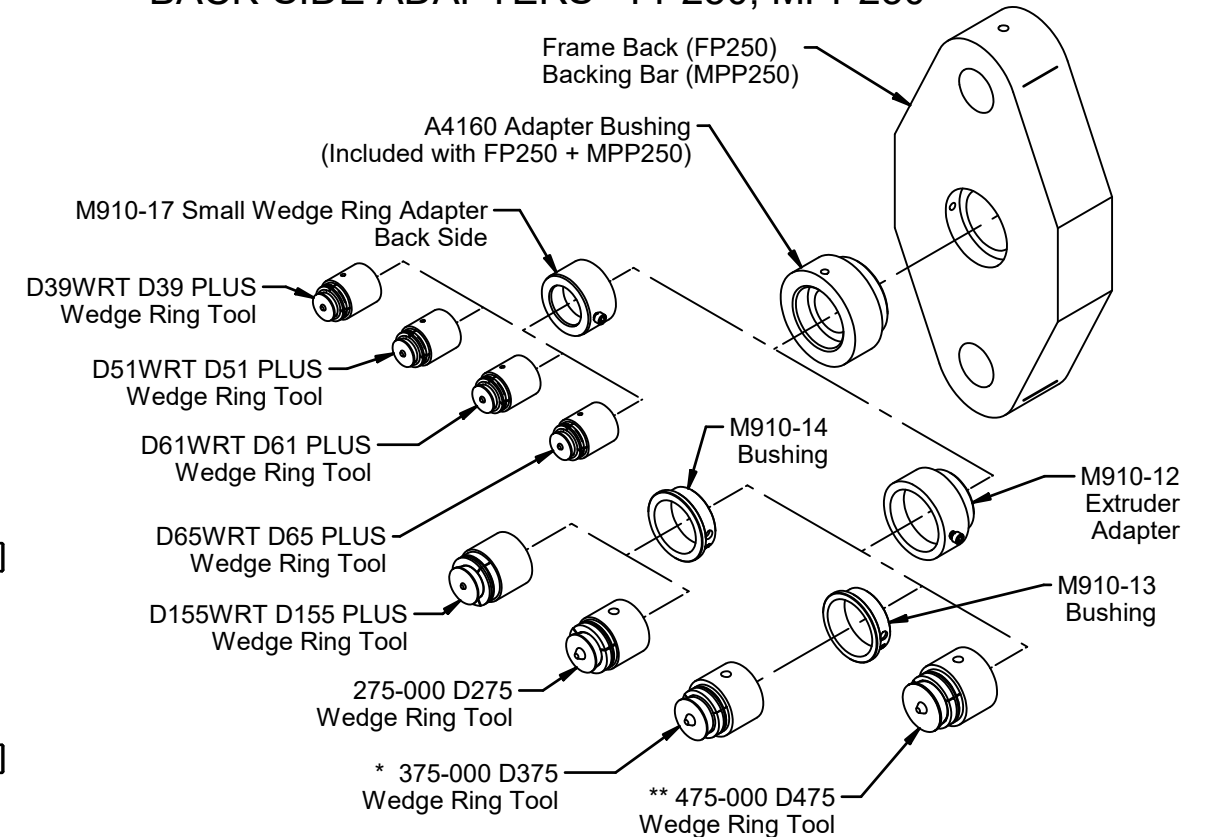
**Note: Wedge Ring Tools Sold in Sets**  
 Each set includes -  
 - one Large End Tool (Rubber Plug end)  
 - one Small End Tool (Plastic Plug end)

\* Exceeds Capacity of FP100

\*\* Exceeds Capacity of FP100, FP150 and MPP150



### BACK-SIDE ADAPTERS - FP250, MPP250



**WTC Machinery, LLC**  
 W1222 LINDEN ROAD  
 IXONIA, WISCONSIN 53036 USA

TOLERANCES UNLESS OTHERWISE SPECIFIED  
 FABRICATED DIMENSIONS +/- 1/16  
 FRACTIONAL DIMENSIONS +/- 1/64  
 DECIMAL DIMENSIONS +/- .010  
 INSIDE RADII 1/32  
 ANGULAR DIMENSIONS +/- 1/2  
 SURFACE FINISH 125

THIS DRAWING IS THE PROPERTY OF WTC MACHINERY LLC  
 DO NOT USE, DISTRIBUTE OR COPY WITHOUT EXPRESS PERMISSION  
 BREAK ALL SHARP EDGES  
 DO NOT SCALE DRAWING

NEXT ASSEMBLY  
 FP / MPP Portable Pin Presses  
 USED ON  
 Komatsu Wedge Ring Track Chains

TITLE Komatsu Wedge Ring Tracks Pin Press Wedge Ring Tools and Adapters				
SHEET	DATE	SIZE	DRAWING NUMBER	REV
DRAWN	WGT	B	FP/MPP-WRTA	A
Solid Edge	N/A			



**WTC Machinery  
FP100 Tooling Chart**

6/9/2022

Make	Model	Comments	Type	Basic Pin Group	Pin Dimensions			Disassembly Tooling			Assembly Tooling	
					Dia.	Length	Pitch	Pin Adapter	Forcing Pin	Backing Bushing	Pin Adaptor	PAT
CASE	350		FLUSH	FP100-SPG	0.993	5.220	5.875	50-007-009	200281	A3539	50-007-007	915068
CASE	400		FLUSH	FP100-SPG	0.993	5.220	5.875	50-007-009	200281	A3539	50-007-007	915068
CASE	420		FLUSH	FP100-SPG	0.993	5.220	5.875	50-007-009	200281	A3539	50-007-007	915068
CASE	450			FP100-SPG	1.063	5.375	5.875	50-007-009	200281	A3539	50-007-007	915225
CASE	450		FLUSH	FP100-SPG	1.187	5.380	5.750	50-007-009	200281	A3539	50-007-006	915066
CASE	500		FLUSH	FP100-SPG	0.993	5.220	5.875	50-007-009	200281	A3539	50-007-007	915068
CASE	550	JAK0013968 & DN	SEALED	FP100-SPG	1.129	6.457	5.998	50-007-009	200281	A3539	50-007-006	915066
CASE	550		SEALED	FP100-SPG	1.129	6.575	6.290	50-007-009	200281	A3539	50-007-006	915144
CASE	550		SALT	FP100-SPG	1.129	6.575	6.290	50-007-009	200281	A3539	50-007-006	915144
CASE	560		FLUSH	FP100-SPG	0.993	5.220	5.875	50-007-009	200281	A3539	50-007-007	915068
CASE	600			FP100-SPG	1.063	5.375	5.875	50-007-009	200281	A3539	50-007-007	915225
CASE	650		SEALED	FP100-MPG	1.318	7.224	6.734	50-007-006	25499	A3540	50-007-005	915011
CASE	650		SALT	FP100-MPG	1.318	7.224	6.735	50-007-006	25499	A3540	50-007-005	915158
CASE	700	S/N 7070351 & DN	RECESSED	FP100-SPG	1.248	6.500	6.250	50-007-007	25498	A3539	50-007-005	915056
CASE	750		RECESSED	FP100-MPG	1.375	6.940	6.250	50-007-006	25499	A3540	50-007-004	915069
CASE	800		RECESSED	FP100-SPG	1.248	6.500	6.250	50-007-007	25498	A3539	50-007-005	915056
CASE	850		SEALED	FP100-MPG	1.375	6.940	6.250	50-007-006	25499	A3540	50-007-004	915009
CASE	1000	HD	RECESSED	FP100-MPG	1.375	6.940	6.250	50-007-006	25499	A3540	50-007-004	915069
CASE	1000		RECESSED	FP100-SPG	1.248	6.500	6.250	50-007-007	25498	A3539	50-007-005	915056
CASE	1000		SEALED	FP100-MPG	1.375	6.940	6.250	50-007-006	25499	A3540	50-007-004	915009
CASE	1150		RECESSED	FP100-MPG	1.375	6.940	6.250	50-007-006	25499	A3540	50-007-004	915069
CASE	1150		SEALED	FP100-MPG	1.375	6.940	6.250	50-007-006	25499	A3540	50-007-004	915009
CASE	1150		SEALED	FP100-MPG	1.375	6.940	6.250	50-007-006	25499	A3540	50-007-004	915011
CASE	1450		SEALED	FP100-MPG	1.752	9.075	8.020	50-007-010	25548	A3540	50-007-002	915070
CASE	1550		SEALED	FP100-MPG	1.753	9.060	8.020	50-007-010	25548	A3540	50-007-002	915226
CASE	1550		SALT	FP100-MPG	1.753	9.060	8.020	50-007-010	25548	A3540	50-007-002	915006
CASE	1150B		SEALED	FP100-MPG	1.500	8.100	6.678	50-007-005	25500-001	A3540	50-007-010	915067
CASE	1150D	7310051 & PRIOR	SEALED	FP100-MPG	1.440	8.110	6.678	50-007-005	25500-001	A3540	50-007-004	915052
CASE	1150D	7310051 & PRIOR	SALT	FP100-MPG	1.440	8.110	6.678	50-007-005	25500-001	A3540	50-007-004	915052
CASE	1150E		SALT	FP100-MPG	1.440	8.110	6.678	50-007-005	25500-001	A3540	50-007-004	915052
CASE	1150E		SEALED	FP100-MPG	1.440	8.110	6.678	50-007-005	25500-001	A3540	50-007-004	915052
CASE	1155D	7311001 & PRIOR	SALT	FP100-MPG	1.440	8.110	6.678	50-007-005	25500-001	A3540	50-007-004	915052
CASE	1155D	7311001 & PRIOR	SEALED	FP100-MPG	1.440	8.110	6.678	50-007-005	25500-001	A3540	50-007-004	915052
CASE	1155E		SALT	FP100-MPG	1.440	8.110	6.678	50-007-005	25500-001	A3540	50-007-004	915052
CASE	1155E		SEALED	FP100-MPG	1.440	8.110	6.678	50-007-005	25500-001	A3540	50-007-004	915052
CASE	1450B		SEALED	FP100-MPG	1.752	9.075	8.020	50-007-010	25548	A3540	50-007-002	915070
CASE	1450B	S/N 8383001 & UP	SEALED	FP100-MPG	1.753	9.060	8.020	50-007-010	25548	A3540	50-007-002	915226
CASE	1450B		SALT	FP100-MPG	1.753	9.060	8.020	50-007-010	25548	A3540	50-007-002	915006
CASE	1455B		SEALED	FP100-MPG	1.752	9.075	8.020	50-007-010	25548	A3540	50-007-002	915070
CASE	1455B	S/N 8480001 & UP	SEALED	FP100-MPG	1.753	9.060	8.020	50-007-010	25548	A3540	50-007-002	915226
CASE	1455B		SALT	FP100-MPG	1.753	9.060	8.020	50-007-010	25548	A3540	50-007-002	915006
CASE	310G		FLUSH	FP100-SPG	0.993	5.220	5.875	50-007-009	200281	A3539	50-007-007	915068
CASE	350B		SEALED	FP100-SPG	0.994	5.219	5.875	50-007-009	200281	A3539	50-007-007	915224
CASE	450A	S/N 3030801 & UP	SEALED	FP100-SPG	1.250	6.540	6.000	50-007-007	25498	A3539	50-007-005	915069
CASE	450B		SEALED	FP100-SPG	1.250	6.540	6.000	50-007-007	25498	A3539	50-007-005	915069
CASE	450C		SALT	FP100-SPG	1.129	6.460	6.000	50-007-009	200281	A3539	50-007-006	915046
CASE	450C		SEALED	FP100-SPG	1.129	6.457	5.998	50-007-009	200281	A3539	50-007-006	915066
CASE	455C		SALT	FP100-SPG	1.129	6.460	6.000	50-007-009	200281	A3539	50-007-006	915046
CASE	550E		SEALED	FP100-SPG	1.129	6.575	6.290	50-007-009	200281	A3539	50-007-006	915144
CASE	550E		SALT	FP100-SPG	1.129	6.575	6.290	50-007-009	200281	A3539	50-007-006	915144
CASE	550G	w/ Floating Bushing	SEALED	FP100-SPG	1.129	6.575	6.290	50-007-009	200281	A3539	50-007-006	915144
CASE	850B		SEALED	FP100-MPG	1.375	6.940	6.250	50-007-006	25499	A3540	50-007-004	915009
CASE	850D		SALT	FP100-MPG	1.318	7.220	6.250	50-007-006	25499	A3540	50-007-005	915011
CASE	850D		SEALED	FP100-MPG	1.375	6.940	6.250	50-007-006	25499	A3540	50-007-004	915011
CASE	850D		SEALED	FP100-MPG	1.318	7.224	6.734	50-007-006	25499	A3540	50-007-005	915011
CASE	850D		SALT	FP100-MPG	1.318	7.224	6.735	50-007-006	25499	A3540	50-007-005	915158
CASE	850E	AFTER 4-1-89	SEALED	FP100-MPG	1.318	7.224	6.734	50-007-006	25499	A3540	50-007-005	915011
CASE	850E	AFTER 4-1-89	SALT	FP100-MPG	1.318	7.224	6.735	50-007-006	25499	A3540	50-007-005	915158
CASE	850G		SEALED	FP100-MPG	1.318	7.224	6.734	50-007-006	25499	A3540	50-007-005	915011
CASE	850G		SALT	FP100-MPG	1.318	7.224	6.735	50-007-006	25499	A3540	50-007-005	915158
CASE	850H		SEALED	FP100-MPG	1.318	7.224	6.734	50-007-006	25499	A3540	50-007-005	915011
CASE	850H		SALT	FP100-MPG	1.318	7.224	6.735	50-007-006	25499	A3540	50-007-005	915158
CASE	850K		SEALED	FP100-MPG	1.318	7.224	6.734	50-007-006	25499	A3540	50-007-005	915011
CASE	850K		SALT	FP100-MPG	1.318	7.224	6.735	50-007-006	25499	A3540	50-007-005	915158
CASE	855D		SALT	FP100-MPG	1.318	7.220	6.250	50-007-006	25499	A3540	50-007-005	915011
CASE	855D		SEALED	FP100-MPG	1.375	6.940	6.250	50-007-006	25499	A3540	50-007-004	915011
CASE	855D	AFTER 4-1-89	SEALED	FP100-MPG	1.318	7.224	6.734	50-007-006	25499	A3540	50-007-005	915011
CASE	855D	AFTER 4-1-89	SALT	FP100-MPG	1.318	7.224	6.735	50-007-006	25499	A3540	50-007-005	915158
CATERPILLAR	30		RECESS	FP100-MPG	1.314	7.000	6.735	50-007-006	25499	A3540	50-007-005	915011
CATERPILLAR	215	w/ 9/16 BOLT	SEALED	FP100-MPG	1.315	6.370	6.735	50-007-006	25499	A3540	50-007-005	915089
CATERPILLAR	215	w/ 5/8 BOLT	SEALED	FP100-MPG	1.314	7.220	6.735	50-007-006	25499	A3540	50-007-005	915011
CATERPILLAR	219		SEALED	FP100-MPG	1.442	8.120	7.480	50-007-005	25500-001	A3540	50-007-004	915052
CATERPILLAR	225	EXC	SEALED	FP100-MPG	1.314	7.220	6.735	50-007-006	25499	A3540	50-007-005	915011
CATERPILLAR	225		SEALED	FP100-SPG	1.252	9.060	7.984	50-007-007	25498L	A3539	50-007-005	915003
CATERPILLAR	227		SEALED	FP100-SPG	1.252	9.060	7.984	50-007-007	25498L	A3539	50-007-005	915003
CATERPILLAR	229		SEALED	FP100-SPG	1.252	9.060	7.984	50-007-007	25498L	A3539	50-007-005	915003



**WTC Machinery  
FP100 Tooling Chart**

6/9/2022

Make	Model	Comments	Type	Basic Pin Group	Pin Dimensions			Disassembly Tooling			Assembly Tooling	
					Dia.	Length	Pitch	Pin Adapter	Forcing Pin	Backing Bushing	Pin Adaptor	PAT
CATERPILLAR	235	EXC	SEALED	FP100-SPG	1.252	9.060	7.984	50-007-007	25498L	A3539	50-007-005	915003
CATERPILLAR	235		SEALED	FP100-LPG	1.877	9.880	8.500	50-007-003	25551	A3541	50-007-002	915012
CATERPILLAR	235-6	EXC	SEALED	FP100-MPG	1.750	9.062	8.000	50-007-010	25548	A3540	50-007-002	915237
CATERPILLAR	245	EXC	SEALED	FP100-LPG	2.253	11.259	10.250	50-007-002	25501	A3541	50-007-001	915005
CATERPILLAR	245	Berco	SEALED	FP100-LPG	2.004	11.437	9.000	50-007-003	25551L	A3541	50-007-001	
CATERPILLAR	311	EXC	SEALED	FP100-MPG	1.321	7.010	6.750	50-007-006	25499	A3540	50-007-005	915059
CATERPILLAR	312	EXC	SEALED	FP100-MPG	1.321	7.010	6.750	50-007-006	25499	A3540	50-007-005	915059
CATERPILLAR	315	EXC	SEALED	FP100-MPG	1.442	8.150	7.480	50-007-005	25500-001	A3540	50-007-004	915140
CATERPILLAR	317	EXC	SEALED	FP100-MPG	1.442	8.150	7.480	50-007-005	25500-001	A3540	50-007-004	915140
CATERPILLAR	320	EXC	SEALED	FP100-MPG	1.442	8.150	7.480	50-007-005	25500-001	A3540	50-007-004	915140
CATERPILLAR	322	EXC	SEALED	FP100-MPG	1.442	8.150	7.480	50-007-005	25500-001	A3540	50-007-004	915140
CATERPILLAR	325	EXC	SEALED	FP100-MPG	1.654	9.055	8.000	50-007-004	25547L	A3540	50-007-003	915141
CATERPILLAR	330	EXC	SEALED	FP100-LPG	1.811	9.665	8.500	50-007-003	25551	A3541	50-007-002	915015
CATERPILLAR	336	EXC	SEALED	FP100-MPG	1.750	9.625	8.500	50-007-010	25548	A3540	50-007-002	915020
CATERPILLAR	345	EXC	SEALED	FP100-LPG	2.003	11.438	8.500	50-007-003	25551L	A3541	50-007-001	915142
CATERPILLAR	350		SEALED	FP100-LPG	2.003	11.438	9.000	50-007-003	25551L	A3541	50-007-001	915001
CATERPILLAR	365	EXC	SEALED	FP100-LPG	2.253	12.244	10.250	50-007-002	25501	A3541	50-007-001	915139
CATERPILLAR	375	EXC	SEALED	FP100-LPG	2.253	12.244	10.250	50-007-002	25501	A3541	50-007-001	915139
CATERPILLAR	390	EXC	SEALED	FP100-LPG	2.165	12.402	10.250	50-007-002	25501	A3541	50-007-001	915284
CATERPILLAR	561	PIPELAYER	SEALED	FP100-MPG	1.442	8.125	6.906	50-007-005	25500-001	A3540	50-007-004	915009
CATERPILLAR	571		SEALED	FP100-MPG	1.752	9.875	7.984	50-007-010	25548	A3540	50-007-002	915012
CATERPILLAR	572		SEALED	FP100-MPG	1.752	9.875	7.984	50-007-010	25548	A3540	50-007-002	915012
CATERPILLAR	572		SEALED	FP100-LPG	1.877	9.880	8.500	50-007-003	25551	A3541	50-007-002	915012
CATERPILLAR	578	PIPELAYER	SALT	FP100-LPG	1.880	9.880	8.500	50-007-003	25551	A3541	50-007-002	915006
CATERPILLAR	578		PPR	FP100-LPG	1.878	9.650	8.500	50-007-003	25551	A3541	50-007-002	915207
CATERPILLAR	583		SEALED	FP100-MPG	1.752	11.438	7.985	50-007-010	25548L	A3540	50-007-002	915013
CATERPILLAR	589		PPR	FP100-LPG	2.000	10.770	9.000	50-007-003	25551L	A3541	50-007-001	915064
CATERPILLAR	589	PIPELAYER	SALT	FP100-LPG	2.000	11.437	9.000	50-007-003	25551L	A3541	50-007-001	915093
CATERPILLAR	594		SEALED	FP100-LPG	2.252	12.250	10.250	50-007-002	25501	A3541	50-007-001	915005
CATERPILLAR	931		SEALED	FP100-SPG	1.129	6.156	6.125	50-007-009	200281	A3539	50-007-006	915004
CATERPILLAR	931		SALT	FP100-SPG	1.126	6.161	6.125	50-007-009	200281	A3539	50-007-006	915082
CATERPILLAR	933		SEALED	FP100-SPG	1.129	6.156	6.125	50-007-009	200281	A3539	50-007-006	915004
CATERPILLAR	939		SALT	FP100-MPG	1.318	7.535	6.735	50-007-006	25499	A3540	50-007-005	915149
CATERPILLAR	941	w/ 5/8 BOLT	SEALED	FP100-MPG	1.314	7.220	6.735	50-007-006	25499	A3540	50-007-005	915011
CATERPILLAR	941	w/ 9/16 BOLT	SEALED	FP100-MPG	1.314	7.000	6.735	50-007-006	25499	A3540	50-007-005	915002
CATERPILLAR	941		SALT	FP100-MPG	1.314	7.220	6.735	50-007-006	25499	A3540	50-007-005	915052
CATERPILLAR	943	HI RAIL	SALT	FP100-MPG	1.315	7.220	6.735	50-007-006	25499	A3540	50-007-005	915002
CATERPILLAR	943	HI RAIL	SALT	FP100-MPG	1.314	7.220	6.735	50-007-006	25499	A3540	50-007-005	915052
CATERPILLAR	951		SALT	FP100-MPG	1.442	8.120	6.906	50-007-005	25500-001	A3540	50-007-004	915052
CATERPILLAR	951		SEALED	FP100-MPG	1.442	8.125	6.735	50-007-005	25500-001	A3540	50-007-004	915009
CATERPILLAR	953	HI RAIL	SALT	FP100-MPG	1.442	8.120	6.906	50-007-005	25500-001	A3540	50-007-004	915052
CATERPILLAR	953		SALT	FP100-MPG	1.442	8.120	6.906	50-007-005	25500-001	A3540	50-007-004	915052
CATERPILLAR	955	HD	SEALED	FP100-MPG	1.442	8.125	6.735	50-007-005	25500-001	A3540	50-007-004	915009
CATERPILLAR	955		SEALED	FP100-SPG	1.252	9.060	7.984	50-007-007	25498L	A3539	50-007-005	915003
CATERPILLAR	955		SALT	FP100-LPG	1.753	9.060	7.980	50-007-010	25548	A3540	50-007-002	915003
CATERPILLAR	963		SALT	FP100-MPG	1.753	9.060	7.980	50-007-010	25548	A3540	50-007-002	915003
CATERPILLAR	963	HI RAIL	SALT	FP100-MPG	1.753	9.060	7.980	50-007-010	25548	A3540	50-007-002	915003
CATERPILLAR	973	HI RAIL	SALT	FP100-LPG	1.878	9.880	8.500	50-007-003	25551	A3541	50-007-002	915201
CATERPILLAR	973		SALT	FP100-LPG	1.877	9.880	8.500	50-007-003	25551	A3541	50-007-002	915006
CATERPILLAR	973	HI RAIL	SALT	FP100-LPG	1.877	9.880	8.500	50-007-003	25551	A3541	50-007-002	915006
CATERPILLAR	973	LGP	SALT	FP100-LPG	1.877	9.880	8.500	50-007-003	25551	A3541	50-007-002	915006
CATERPILLAR	973		SEALED	FP100-LPG	1.877	9.880	8.500	50-007-003	25551	A3541	50-007-002	915012
CATERPILLAR	977	OPT FORMER	SEALED	FP100-MPG	1.442	8.125	6.906	50-007-005	25500-001	A3540	50-007-004	915009
CATERPILLAR	977		SEALED	FP100-MPG	1.442	8.125	6.735	50-007-005	25500-001	A3540	50-007-004	915009
CATERPILLAR	977		SALT	FP100-LPG	1.877	9.880	8.500	50-007-003	25551	A3541	50-007-002	915006
CATERPILLAR	977		SEALED	FP100-LPG	1.877	9.880	8.500	50-007-003	25551	A3541	50-007-002	915012
CATERPILLAR	983		SEALED	FP100-LPG	2.003	11.438	9.000	50-007-003	25551L	A3541	50-007-001	915001
CATERPILLAR	5080		SEALED	FP100-LPG	2.253	12.244	10.250	50-007-002	25501	A3541	50-007-001	915139
CATERPILLAR	E70B		SEALED	FP100-SPG	0.945	5.512	5.315	50-007-009	200281	A3539	50-007-007	915129
CATERPILLAR	14A		SEALED	FP100-MPG	1.752	11.438	7.985	50-007-010	25548L	A3540	50-007-002	915013
CATERPILLAR	17A		SEALED	FP100-MPG	1.752	9.875	7.984	50-007-010	25548	A3540	50-007-002	915012
CATERPILLAR	215A		SEALED	FP100-MPG	1.442	8.120	7.480	50-007-005	25500-001	A3540	50-007-004	915052
CATERPILLAR	225B	EXC	SEALED	FP100-MPG	1.442	8.120	7.480	50-007-005	25500-001	A3540	50-007-004	915052
CATERPILLAR	225C	EXC	SEALED	FP100-MPG	1.442	8.120	7.480	50-007-005	25500-001	A3540	50-007-004	915052
CATERPILLAR	231D		SEALED	FP100-SPG	1.252	9.060	7.984	50-007-007	25498L	A3539	50-007-005	915003
CATERPILLAR	235D		SEALED	FP100-LPG	2.003	11.438	9.000	50-007-003	25551L	A3541	50-007-001	915001
CATERPILLAR	245S		SEALED	FP100-LPG	2.003	11.438	9.000	50-007-003	25551L	A3541	50-007-001	915001
CATERPILLAR	307C		GREASE	FP100-SPG	0.940	5.150	6.060	50-007-009	200281	A3539	50-007-007	915169
CATERPILLAR	312C	EXC	GREASE	FP100-MPG	1.320	7.000	6.750	50-007-006	25499	A3540	50-007-005	915059
CATERPILLAR	313B	EXC	SEALED	FP100-MPG	1.321	7.010	6.750	50-007-006	25499	A3540	50-007-005	915059
CATERPILLAR	314B	EXC	SEALED	FP100-MPG	1.321	7.010	6.750	50-007-006	25499	A3540	50-007-005	915059
CATERPILLAR	315B	EXC	GREASE	FP100-MPG	1.442	8.150	7.480	50-007-005	25500-001	A3540	50-007-004	915236
CATERPILLAR	315L	EXC	GREASE	FP100-MPG	1.442	8.150	7.480	50-007-005	25500-001	A3540	50-007-004	915003
CATERPILLAR	315C	EXC	GREASE	FP100-MPG	1.442	8.150	7.480	50-007-005	25500-001	A3540	50-007-004	915170
CATERPILLAR	318C	EXC	GREASE	FP100-MPG	1.442	8.150	7.480	50-007-005	25500-001	A3540	50-007-004	915170



**WTC Machinery  
FP100 Tooling Chart**

6/9/2022

Make	Model	Comments	Type	Basic Pin Group	Pin Dimensions			Disassembly Tooling			Assembly Tooling	
					Dia.	Length	Pitch	Pin Adapter	Forcing Pin	Backing Bushing	Pin Adaptor	PAT
CATERPILLAR	320L	EXC	GREASE	FP100-MPG	1.442	8.150	7.480	50-007-005	25500-001	A3540	50-007-004	915170
CATERPILLAR	324D	EXC	GREASE	FP100-MPG	1.442	8.150	7.480	50-007-005	25500-001	A3540	50-007-004	915170
CATERPILLAR	320B	EXC	SEALED	FP100-MPG	1.442	8.150	7.480	50-007-005	25500-001	A3540	50-007-004	915140
CATERPILLAR	320C	EXC	GREASE	FP100-MPG	1.442	8.150	7.480	50-007-005	25500-001	A3540	50-007-004	915170
CATERPILLAR	322B	EXC	GREASE	FP100-MPG	1.442	8.150	7.480	50-007-005	25500-001	A3540	50-007-004	915236
CATERPILLAR	322C	EXC	GREASE	FP100-MPG	1.442	8.150	7.480	50-007-005	25500-001	A3540	50-007-004	915170
CATERPILLAR	325BL	EXC	SEALED	FP100-MPG	1.654	9.055	8.000	50-007-004	25547L	A3540	50-007-003	915141
CATERPILLAR	325C	EXC	GREASE	FP100-MPG	1.650	9.050	7.985	50-007-004	25547L	A3540	50-007-003	915141
CATERPILLAR	330B	EXC	SEALED	FP100-LPG	1.811	9.665	8.500	50-007-003	25551	A3541	50-007-002	915015
CATERPILLAR	330B	EXC	GREASE	FP100-LPG	1.811	9.665	8.500	50-007-003	25551	A3541	50-007-002	915185
CATERPILLAR	330C	EXC	SEALED	FP100-LPG	1.811	9.665	8.500	50-007-003	25551	A3541	50-007-002	915015
CATERPILLAR	345B	EXC	SALT	FP100-LPG	1.877	9.882	8.500	50-007-003	25551	A3541	50-007-002	915200
CATERPILLAR	345B		SEALED	FP100-LPG	1.877	9.880	8.500	50-007-003	25551	A3541	50-007-002	915012
CATERPILLAR	345BL	EXC	SALT	FP100-LPG	1.877	9.882	8.500	50-007-003	25551	A3541	50-007-002	915200
CATERPILLAR	561H	HD	SALT	FP100-MPG	1.418	8.445	6.735	50-007-006	25499	A3540	50-007-004	915145
CATERPILLAR	561H		SALT	FP100-MPG	1.318	7.535	6.735	50-007-006	25499	A3540	50-007-005	915149
CATERPILLAR	571A		SALT	FP100-LPG	1.877	9.880	8.500	50-007-003	25551	A3541	50-007-002	915006
CATERPILLAR	571A		SEALED	FP100-LPG	1.877	9.880	8.500	50-007-003	25551	A3541	50-007-002	915012
CATERPILLAR	583R	PIPELAYER	SALT	FP100-LPG	1.880	9.880	8.500	50-007-003	25551	A3541	50-007-002	915006
CATERPILLAR	933	CURRENT	SALT	FP100-SPG	1.126	6.161	6.125	50-007-009	200281	A3539	50-007-006	915082
CATERPILLAR	935B		SEALED	FP100-SPG	1.129	6.156	6.125	50-007-009	200281	A3539	50-007-006	915004
CATERPILLAR	935B		SALT	FP100-SPG	1.126	6.161	6.125	50-007-009	200281	A3539	50-007-006	915082
CATERPILLAR	935C		SALT	FP100-SPG	1.126	6.161	6.125	50-007-009	200281	A3539	50-007-006	915082
CATERPILLAR	951B		SEALED	FP100-MPG	1.442	8.125	6.906	50-007-005	25500-001	A3540	50-007-004	915009
CATERPILLAR	951B		SEALED	FP100-MPG	1.442	8.125	6.735	50-007-005	25500-001	A3540	50-007-004	915009
CATERPILLAR	951C		SEALED	FP100-MPG	1.442	8.125	6.906	50-007-005	25500-001	A3540	50-007-004	915009
CATERPILLAR	955K		SEALED	FP100-MPG	1.442	8.125	6.906	50-007-005	25500-001	A3540	50-007-004	915009
CATERPILLAR	977K		SEALED	FP100-MPG	1.752	9.875	7.984	50-007-010	25548	A3540	50-007-002	915012
CATERPILLAR	983		SALT	FP100-LPG	2.002	11.438	9.000	50-007-003	25551L	A3541	50-007-001	915007
CATERPILLAR	AP1050		SEALED	FP100-SPG	1.129	6.156	6.125	50-007-009	200281	A3539	50-007-006	915004
CATERPILLAR	D2		RECESS	FP100-SPG	1.127	6.156	6.125	50-007-009	200281	A3539	50-007-006	916040
CATERPILLAR	D2		SEALED	FP100-SPG	1.125	6.180	6.125	50-007-009	200281	A3539	50-007-006	915040
CATERPILLAR	D3		SEALED	FP100-SPG	1.129	6.156	6.125	50-007-009	200281	A3539	50-007-006	915004
CATERPILLAR	D3		SALT	FP100-SPG	1.126	6.161	6.125	50-007-009	200281	A3539	50-007-006	915082
CATERPILLAR	D3	EARLY	SALT	FP100-SPG	1.126	6.161	6.125	50-007-009	200281	A3539	50-007-006	915082
CATERPILLAR	D3	FORMER	SALT	FP100-SPG	1.126	6.161	6.125	50-007-009	200281	A3539	50-007-006	915082
CATERPILLAR	D3B		SEALED	FP100-SPG	1.129	6.156	6.125	50-007-009	200281	A3539	50-007-006	915004
CATERPILLAR	D3B		SALT	FP100-SPG	1.126	6.161	6.125	50-007-009	200281	A3539	50-007-006	915082
CATERPILLAR	D3C		SALT	FP100-SPG	1.126	6.161	6.125	50-007-009	200281	A3539	50-007-006	915082
CATERPILLAR	D3G		SEALED	FP100-SPG	1.129	6.156	6.125	50-007-009	200281	A3539	50-007-006	915004
CATERPILLAR	D3G		SALT	FP100-SPG	1.126	6.161	6.125	50-007-009	200281	A3539	50-007-006	915082
CATERPILLAR	D4		SEALED	FP100-MPG	1.314	7.000	6.735	50-007-006	25499	A3540	50-007-005	915002
CATERPILLAR	D4		RECESS	FP100-MPG	1.314	7.000	6.735	50-007-006	25499	A3540	50-007-005	915011
CATERPILLAR	D4	w/ 1/2 BOLT	SEALED	FP100-MPG	1.314	7.000	6.735	50-007-006	25499	A3540	50-007-005	915137
CATERPILLAR	D4	w/ 9/16 BOLT	SEALED	FP100-MPG	1.314	7.000	6.735	50-007-006	25499	A3540	50-007-005	915137
CATERPILLAR	D4	w/ 9/16 BOLT	SEALED	FP100-MPG	1.314	7.000	6.735	50-007-006	25499	A3540	50-007-005	915138
CATERPILLAR	D4		SALT	FP100-MPG	1.314	7.220	6.735	50-007-006	25499	A3540	50-007-005	915052
CATERPILLAR	D4	Berco	UNSEALED	FP100-MPG	1.319	7.224	6.750	50-007-006	25499	A3540	50-007-005	915050
CATERPILLAR	D4B		SEALED	FP100-SPG	1.129	6.156	6.125	50-007-009	200281	A3539	50-007-006	915004
CATERPILLAR	D4B		SALT	FP100-SPG	1.126	6.161	6.125	50-007-009	200281	A3539	50-007-006	915082
CATERPILLAR	D4C		SEALED	FP100-SPG	1.129	6.156	6.125	50-007-009	200281	A3539	50-007-006	915004
CATERPILLAR	D4C		SALT	FP100-SPG	1.126	6.161	6.125	50-007-009	200281	A3539	50-007-006	915082
CATERPILLAR	D4C	w/ 1/2 BOLT	SEALED	FP100-MPG	1.314	7.000	6.735	50-007-006	25499	A3540	50-007-005	915137
CATERPILLAR	D4C	w/ 9/16 BOLT	SEALED	FP100-MPG	1.314	7.000	6.735	50-007-006	25499	A3540	50-007-005	915137
CATERPILLAR	D4C	w/ 9/16 BOLT	SEALED	FP100-MPG	1.314	7.000	6.735	50-007-006	25499	A3540	50-007-005	915138
CATERPILLAR	D4D		SEALED	FP100-MPG	1.314	7.220	6.735	50-007-006	25499	A3540	50-007-005	915011
CATERPILLAR	D4D		SEALED	FP100-MPG	1.314	7.000	6.735	50-007-006	25499	A3540	50-007-005	915002
CATERPILLAR	D4D		SALT	FP100-MPG	1.314	7.220	6.735	50-007-006	25499	A3540	50-007-005	915052
CATERPILLAR	D4D	w/ 1/2 BOLT	SEALED	FP100-MPG	1.314	7.000	6.735	50-007-006	25499	A3540	50-007-005	915137
CATERPILLAR	D4D	w/ 9/16 BOLT	SEALED	FP100-MPG	1.314	7.000	6.735	50-007-006	25499	A3540	50-007-005	915137
CATERPILLAR	D4D	w/ 9/16 BOLT	SEALED	FP100-MPG	1.314	7.000	6.735	50-007-006	25499	A3540	50-007-005	915138
CATERPILLAR	D4E		SALT	FP100-MPG	1.314	7.220	6.735	50-007-006	25499	A3540	50-007-005	915052
CATERPILLAR	D4G		SEALED	FP100-SPG	1.129	6.156	6.125	50-007-009	200281	A3539	50-007-006	915004
CATERPILLAR	D4G		SALT	FP100-SPG	1.126	6.161	6.125	50-007-009	200281	A3539	50-007-006	915082
CATERPILLAR	D4H		SALT	FP100-MPG	1.315	7.220	6.735	50-007-006	25499	A3540	50-007-005	915124
CATERPILLAR	D4H	HD	SALT	FP100-MPG	1.418	8.445	6.735	50-007-006	25499	A3540	50-007-004	915145
CATERPILLAR	D4H	LGP	PPR	FP100-MPG	1.315	7.287	6.735	50-007-006	25499	A3540	50-007-005	915052
CATERPILLAR	D4H		SALT	FP100-MPG	1.318	7.535	6.735	50-007-006	25499	A3540	50-007-005	915149
CATERPILLAR	D4H	TSK CUS SKD	SALT	FP100-MPG	1.318	7.535	6.735	50-007-006	25499	A3540	50-007-005	915149
CATERPILLAR	D5	PRO	SALT	FP100-MPG	1.442	8.120	6.906	50-007-005	25500-001	A3540	50-007-004	915052
CATERPILLAR	D5		SEALED	FP100-MPG	1.442	8.125	6.906	50-007-005	25500-001	A3540	50-007-004	915009
CATERPILLAR	D5		SALT	FP100-MPG	1.442	8.120	6.906	50-007-005	25500-001	A3540	50-007-004	915052
CATERPILLAR	D5B		SEALED	FP100-MPG	1.442	8.125	6.906	50-007-005	25500-001	A3540	50-007-004	915009
CATERPILLAR	D5B		SALT	FP100-MPG	1.442	8.120	6.906	50-007-005	25500-001	A3540	50-007-004	915052
CATERPILLAR	D5C		SALT	FP100-MPG	1.318	7.535	6.735	50-007-006	25499	A3540	50-007-005	915149
CATERPILLAR	D5G		SALT	FP100-MPG	1.318	7.535	6.735	50-007-006	25499	A3540	50-007-005	915149



**WTC Machinery  
FP100 Tooling Chart**

6/9/2022

Make	Model	Comments	Type	Basic Pin Group	Pin Dimensions			Disassembly Tooling			Assembly Tooling	
					Dia.	Length	Pitch	Pin Adapter	Forcing Pin	Backing Bushing	Pin Adaptor	PAT
CATERPILLAR	D5G	XL	SALT	FP100-MPG	1.318	7.535	6.735	50-007-006	25499	A3540	50-007-005	915149
CATERPILLAR	D5H		SALT	FP100-MPG	1.443	8.122	7.480	50-007-005	25500-001	A3540	50-007-004	915052
CATERPILLAR	D5H	TSK CUS SKD	SALT	FP100-MPG	1.443	8.183	7.480	50-007-005	25500-001	A3540	50-007-004	915052
CATERPILLAR	D5H	HD	SALT	FP100-MPG	1.495	9.392	7.480	50-007-005	25500L	A3540	50-007-010	915145
CATERPILLAR	D5M		SALT	FP100-MPG	1.418	8.445	6.735	50-007-006	25499	A3540	50-007-004	915145
CATERPILLAR	D5N		SALT	FP100-MPG	1.418	8.445	6.735	50-007-006	25499	A3540	50-007-004	915145
CATERPILLAR	D6		RECESS	FP100-MPG	1.442	8.125	6.735	50-007-005	25500-001	A3540	50-007-004	915014
CATERPILLAR	D6		SEALED	FP100-MPG	1.442	8.125	6.735	50-007-005	25500-001	A3540	50-007-004	915009
CATERPILLAR	D6		SALT	FP100-MPG	1.753	9.060	7.985	50-007-010	25548	A3540	50-007-002	915081
CATERPILLAR	D6B		SEALED	FP100-MPG	1.442	8.125	6.735	50-007-005	25500-001	A3540	50-007-004	915009
CATERPILLAR	D6C		SEALED	FP100-SPG	1.252	9.060	7.984	50-007-007	25498L	A3539	50-007-005	915003
CATERPILLAR	D6C		SALT	FP100-MPG	1.753	9.060	7.980	50-007-010	25548	A3540	50-007-002	915003
CATERPILLAR	D6D		SEALED	FP100-SPG	1.252	9.060	7.984	50-007-007	25498L	A3539	50-007-005	915003
CATERPILLAR	D6D		SALT	FP100-MPG	1.753	9.060	7.980	50-007-010	25548	A3540	50-007-002	915003
CATERPILLAR	D6E		SALT	FP100-MPG	1.753	9.060	7.980	50-007-010	25548	A3540	50-007-002	915003
CATERPILLAR	D6H	LGP	SALT	FP100-MPG	1.753	9.060	7.985	50-007-010	25548	A3540	50-007-002	915081
CATERPILLAR	D6H		SALT	FP100-MPG	1.753	9.060	7.985	50-007-010	25548	A3540	50-007-002	915081
CATERPILLAR	D6H	LGP	PPR	FP100-MPG	1.753	9.150	7.985	50-007-010	25548	A3540	50-007-002	915143
CATERPILLAR	D6H	HD	SALT	FP100-MPG	1.753	10.315	8.000	50-007-010	25548	A3540	50-007-002	915143
CATERPILLAR	D6M		SALT	FP100-MPG	1.495	9.392	7.480	50-007-005	25500L	A3540	50-007-010	915145
CATERPILLAR	D6N		SALT	FP100-MPG	1.495	9.392	7.480	50-007-005	25500L	A3540	50-007-010	915145
CATERPILLAR	D6R		SALT	FP100-MPG	1.753	10.315	8.000	50-007-010	25548	A3540	50-007-002	915081
CATERPILLAR	D7	Berco	SEALED	FP100-MPG	1.756	9.902	7.984	50-007-010	25548	A3540	50-007-002	
CATERPILLAR	D7		SALT	FP100-LPG	1.877	9.880	8.500	50-007-003	25551	A3541	50-007-002	915006
CATERPILLAR	D7		SEALED	FP100-MPG	1.752	9.875	7.984	50-007-010	25548	A3540	50-007-002	915012
CATERPILLAR	D7		RECESS	FP100-MPG	1.752	9.875	7.985	50-007-010	25548	A3540	50-007-002	915012
CATERPILLAR	D7C		SEALED	FP100-MPG	1.752	9.875	7.984	50-007-010	25548	A3540	50-007-002	915012
CATERPILLAR	D7D		SEALED	FP100-MPG	1.752	9.875	7.984	50-007-010	25548	A3540	50-007-002	915012
CATERPILLAR	D7D		RECESS	FP100-MPG	1.752	9.875	7.985	50-007-010	25548	A3540	50-007-002	915012
CATERPILLAR	D7E		SALT	FP100-LPG	1.877	9.880	8.500	50-007-003	25551	A3541	50-007-002	915006
CATERPILLAR	D7E		SEALED	FP100-LPG	1.877	9.880	8.500	50-007-003	25551	A3541	50-007-002	915012
CATERPILLAR	D7F		SALT	FP100-LPG	1.877	9.880	8.500	50-007-003	25551	A3541	50-007-002	915006
CATERPILLAR	D7F		SEALED	FP100-LPG	1.877	9.880	8.500	50-007-003	25551	A3541	50-007-002	915012
CATERPILLAR	D7G		SALT	FP100-LPG	1.877	9.880	8.500	50-007-003	25551	A3541	50-007-002	915006
CATERPILLAR	D7G	LGP	SALT	FP100-LPG	1.877	9.880	8.500	50-007-003	25551	A3541	50-007-002	915006
CATERPILLAR	D7G		SEALED	FP100-LPG	1.877	9.880	8.500	50-007-003	25551	A3541	50-007-002	915012
CATERPILLAR	D7H	LGP	PPR	FP100-LPG	1.878	9.925	8.500	50-007-003	25551	A3541	50-007-002	915007
CATERPILLAR	D7H		SALT	FP100-LPG	1.878	9.880	8.500	50-007-003	25551	A3541	50-007-002	915103
CATERPILLAR	D7H	HD	SALT	FP100-LPG	1.878	10.875	8.500	50-007-003	25551L	A3541	50-007-002	915150
CATERPILLAR	D7R		SALT	FP100-LPG	1.878	10.875	8.500	50-007-003	25551L	A3541	50-007-002	915150
CATERPILLAR	D8		RECESS	FP100-MPG	1.752	11.438	7.948	50-007-010	25548L	A3540	50-007-002	915206
CATERPILLAR	D8		SEALED	FP100-MPG	1.752	11.438	7.985	50-007-010	25548L	A3540	50-007-002	915013
CATERPILLAR	D8		SALT	FP100-LPG	2.002	11.438	9.000	50-007-003	25551L	A3541	50-007-001	915007
CATERPILLAR	D8D		SEALED	FP100-MPG	1.752	11.438	7.985	50-007-010	25548L	A3540	50-007-002	915013
CATERPILLAR	D8E		SEALED	FP100-MPG	1.752	11.438	7.985	50-007-010	25548L	A3540	50-007-002	915013
CATERPILLAR	D8F		SEALED	FP100-MPG	1.752	11.438	7.985	50-007-010	25548L	A3540	50-007-002	915013
CATERPILLAR	D8G		SEALED	FP100-MPG	1.752	11.438	7.985	50-007-010	25548L	A3540	50-007-002	915013
CATERPILLAR	D8H		SALT	FP100-LPG	2.002	11.438	9.000	50-007-003	25551L	A3541	50-007-001	915007
CATERPILLAR	D8H	ITM		FP100-LPG	2.004	11.500	9.000	50-007-003	25551L	A3541	50-007-001	
CATERPILLAR	D8H		SEALED	FP100-LPG	2.003	11.438	9.000	50-007-003	25551L	A3541	50-007-001	915001
CATERPILLAR	D8K		SALT	FP100-LPG	2.002	11.438	9.000	50-007-003	25551L	A3541	50-007-001	915007
CATERPILLAR	D8K		SEALED	FP100-LPG	2.003	11.438	9.000	50-007-003	25551L	A3541	50-007-001	915001
CATERPILLAR	D8L		SALT	FP100-LPG	1.880	9.880	8.500	50-007-003	25551	A3541	50-007-002	915006
CATERPILLAR	D8N		SALT	FP100-LPG	1.880	9.880	8.500	50-007-003	25551	A3541	50-007-002	915006
CATERPILLAR	D8N		PPR	FP100-LPG	1.878	9.650	8.500	50-007-003	25551	A3541	50-007-002	915207
CATERPILLAR	D8R		SALT	FP100-LPG	1.880	9.880	8.500	50-007-003	25551	A3541	50-007-002	915006
CATERPILLAR	D8R		PPR	FP100-LPG	1.878	9.650	8.500	50-007-003	25551	A3541	50-007-002	915207
CATERPILLAR	D8T		SALT	FP100-LPG	1.880	9.880	8.500	50-007-003	25551	A3541	50-007-002	915006
CATERPILLAR	D9		SEALED	FP100-LPG	2.002	12.000	9.000	50-007-003	25551XL	A3541	50-007-001	915208
CATERPILLAR	D9		SALT	FP100-LPG	2.252	12.250	10.250	50-007-002	25501	A3541	50-007-001	915008
CATERPILLAR	D9D		SEALED	FP100-LPG	2.252	12.250	10.250	50-007-002	25501	A3541	50-007-001	915005
CATERPILLAR	D9E		SEALED	FP100-LPG	2.252	12.250	10.250	50-007-002	25501	A3541	50-007-001	915005
CATERPILLAR	D9G		SALT	FP100-LPG	2.252	12.250	10.250	50-007-002	25501	A3541	50-007-001	915008
CATERPILLAR	D9G		SEALED	FP100-LPG	2.252	12.250	10.250	50-007-002	25501	A3541	50-007-001	915005
CATERPILLAR	D9H		SALT	FP100-LPG	2.252	12.250	10.250	50-007-002	25501	A3541	50-007-001	915008
CATERPILLAR	D9H		SEALED	FP100-LPG	2.252	12.250	10.250	50-007-002	25501	A3541	50-007-001	915005
CATERPILLAR	D9L		PPR	FP100-LPG	2.000	10.770	9.000	50-007-003	25551L	A3541	50-007-001	915064
CATERPILLAR	D9L		SALT	FP100-LPG	2.000	11.437	9.000	50-007-003	25551L	A3541	50-007-001	915093
CATERPILLAR	D9N		SALT	FP100-LPG	2.003	10.980	9.450	50-007-003	25551L	A3541	50-007-001	915092
CATERPILLAR	D9N		PPR	FP100-LPG	2.000	10.440	9.449	50-007-003	25551	A3541	50-007-001	915253
CATERPILLAR	D9R		SALT	FP100-LPG	2.003	10.980	9.450	50-007-003	25551L	A3541	50-007-001	915092
CATERPILLAR	D9R		PPR	FP100-LPG	2.000	10.440	9.449	50-007-003	25551	A3541	50-007-001	915253
CATERPILLAR	E110B		SEALED	FP100-MPG	1.319	7.008	6.750	50-007-006	25499	A3540	50-007-005	915059
CATERPILLAR	E120B		SEALED	FP100-MPG	1.319	7.008	6.750	50-007-006	25499	A3540	50-007-005	915059
CATERPILLAR	E180		SEALED	FP100-MPG	1.439	8.126	6.906	50-007-006	25499	A3540	50-007-004	915128
CATERPILLAR	E200B		SEALED	FP100-MPG	1.445	8.150	7.500	50-007-005	25500-001	A3540	50-007-004	915133



**WTC Machinery  
FP100 Tooling Chart**

6/9/2022

Make	Model	Comments	Type	Basic Pin Group	Pin Dimensions			Disassembly Tooling			Assembly Tooling	
					Dia.	Length	Pitch	Pin Adapter	Forcing Pin	Backing Bushing	Pin Adaptor	PAT
CATERPILLAR	E240		SEALED	FP100-MPG	1.445	8.150	7.500	50-007-005	25500-001	A3540	50-007-004	915133
CATERPILLAR	E300B		SEALED	FP100-MPG	1.750	9.646	8.000	50-007-010	25548	A3540	50-007-002	915121
CATERPILLAR	E450		UNSEALED	FP100-LPG	1.873	10.000	8.500	50-007-003	25551	A3541	50-007-002	915038
CATERPILLAR	E70		SEALED	FP100-SPG	0.945	5.512	5.315	50-007-009	200281	A3539	50-007-007	915129
CATERPILLAR	EL180		SEALED	FP100-MPG	1.439	8.126	6.906	50-007-006	25499	A3540	50-007-004	915128
CATERPILLAR	EL200B		SEALED	FP100-MPG	1.445	8.150	7.500	50-007-005	25500-001	A3540	50-007-004	915133
CATERPILLAR	EL240		SEALED	FP100-MPG	1.445	8.150	7.500	50-007-005	25500-001	A3540	50-007-004	915133
CATERPILLAR	EL300A		SEALED	FP100-MPG	1.750	9.646	8.000	50-007-010	25548	A3540	50-007-002	915121
CATERPILLAR	EL300B		SEALED	FP100-MPG	1.750	9.646	8.000	50-007-010	25548	A3540	50-007-002	915121
CATERPILLAR	EL300B		SEALED	FP100-MPG	1.750	9.646	8.000	50-007-010	25548	A3540	50-007-002	915038
CATERPILLAR	FB227		SEALED	FP100-SPG	1.252	9.060	7.984	50-007-007	25498L	A3539	50-007-005	915003
CATERPILLAR	MHI 180-8		SEALED	FP100-MPG	1.439	8.126	6.906	50-007-006	25499	A3540	50-007-004	915128
CATERPILLAR	MHI 180-8LC		SEALED	FP100-MPG	1.439	8.126	6.906	50-007-006	25499	A3540	50-007-004	915128
CATERPILLAR	MHI 300LC-8		SEALED	FP100-MPG	1.750	9.646	8.000	50-007-010	25548	A3540	50-007-002	915121
CATERPILLAR	PR450		SEALED	FP100-SPG	1.129	6.156	6.125	50-007-009	200281	A3539	50-007-006	915004
CATERPILLAR	R2-15-22		RECESS	FP100-SPG	1.127	6.156	6.125	50-007-009	200281	A3539	50-007-006	916040
CATERPILLAR	R4		RECESS	FP100-MPG	1.314	7.000	6.735	50-007-006	25499	A3540	50-007-005	915011
CATERPILLAR	SF350		SEALED	FP100-SPG	1.129	6.156	6.125	50-007-009	200281	A3539	50-007-006	915004
CATERPILLAR	TR225		SEALED	FP100-SPG	1.129	6.156	6.125	50-007-009	200281	A3539	50-007-006	915004
DRESSER	150		SEALED	FP100-MPG	1.375	6.690	6.490	50-007-006	25499	A3540	50-007-004	915048
DRESSER	175		SEALED	FP100-MPG	1.625	7.870	6.992	50-007-004	25547L	A3540	50-007-003	915041
DRESSER	500		RECESSED	FP100-SPG	1.125	5.360	6.000	50-007-009	200281	A3539	50-007-006	915044
DRESSER	100B		SEALED	FP100-SPG	1.250	5.970	6.000	50-007-007	25498	A3539	50-007-005	915034
DRESSER	100C		SEALED	FP100-SPG	1.250	6.500	5.998	50-007-007	25498	A3539	50-007-005	915040
DRESSER	100E		SEALED	FP100-SPG	1.250	6.500	5.990	50-007-007	25498	A3539	50-007-005	915100
DRESSER	100G		SALT	FP100-MPG	1.312	6.690	6.490	50-007-006	25499	A3540	50-007-005	915133
DRESSER	125C		SEALED	FP100-MPG	1.375	6.690	6.490	50-007-006	25499	A3540	50-007-004	915048
DRESSER	125E		SEALED	FP100-MPG	1.375	6.690	6.490	50-007-006	25499	A3540	50-007-004	915048
DRESSER	125G		SALT	FP100-MPG	1.312	6.690	6.490	50-007-006	25499	A3540	50-007-005	915133
DRESSER	125G		SEALED	FP100-MPG	1.312	6.690	6.490	50-007-006	25499	A3540	50-007-005	915040
DRESSER	125G		DRY	FP100-MPG	1.312	6.690	6.490	50-007-006	25499	A3540	50-007-005	915213
DRESSER	175B		SEALED	FP100-MPG	1.625	7.870	6.992	50-007-004	25547L	A3540	50-007-003	915041
DRESSER	175B		SEALED	FP100-MPG	1.750	8.810	7.500	50-007-010	25548	A3540	50-007-002	915036
DRESSER	175C		SEALED	FP100-MPG	1.750	8.810	7.500	50-007-010	25548	A3540	50-007-002	915036
DRESSER	250B		SEALED	FP100-MPG	1.750	9.310	7.500	50-007-010	25548	A3540	50-007-002	915036
DRESSER	250C		SEALED	FP100-MPG	1.750	9.310	7.500	50-007-010	25548	A3540	50-007-002	915036
DRESSER	500E		DRY	FP100-SPG	1.125	5.300	5.990	50-007-009	200281	A3539	50-007-006	915209
DRESSER	D32		SALT	FP100-MPG	1.312	6.690	6.490	50-007-006	25499	A3540	50-007-005	915133
DRESSER	D32E		SEALED	FP100-SPG	1.250	6.500	5.998	50-007-007	25498	A3539	50-007-005	915040
DRESSER	D32E		SALT	FP100-MPG	1.312	6.690	6.490	50-007-006	25499	A3540	50-007-005	915133
DRESSER	D32P		SEALED	FP100-SPG	1.250	6.500	5.998	50-007-007	25498	A3539	50-007-005	915040
DRESSER	D32-P1		SALT	FP100-MPG	1.312	6.690	6.490	50-007-006	25499	A3540	50-007-005	915133
DRESSER	D38E		SALT	FP100-MPG	1.312	6.690	6.490	50-007-006	25499	A3540	50-007-005	915133
DRESSER	D38P-1		SALT	FP100-MPG	1.312	6.690	6.490	50-007-006	25499	A3540	50-007-005	915133
DRESSER	D39		SALT	FP100-MPG	1.312	6.690	6.490	50-007-006	25499	A3540	50-007-005	915133
DRESSER	D39E		SALT	FP100-MPG	1.312	6.690	6.490	50-007-006	25499	A3540	50-007-005	915133
DRESSER	D87E-2		SALT	FP100-LPG	1.874	10.430	8.500	50-007-003	25551L	A3541	50-007-002	915077
DRESSER	D87P		SALT	FP100-LPG	1.874	10.430	8.500	50-007-003	25551L	A3541	50-007-002	915077
DRESSER	T340		FLUSH	FP100-SPG	1.010	4.750	6.000	50-007-009	200281	A3539	50-007-007	915028
DRESSER	T5		FLUSH	FP100-SPG	1.010	4.750	6.000	50-007-009	200281	A3539	50-007-007	915028
DRESSER	T6		SEALED	FP100-SPG	1.250	5.970	6.000	50-007-007	25498	A3539	50-007-005	915034
DRESSER	T7		SEALED	FP100-SPG	1.250	6.500	5.998	50-007-007	25498	A3539	50-007-005	915040
DRESSER	TD12		SALT	FP100-MPG	1.500	8.030	7.490	50-007-005	25500-001	A3540	50-007-010	915095
DRESSER	TD12		SEALED	FP100-MPG	1.750	8.030	7.490	50-007-010	25548	A3540	50-007-002	915095
DRESSER	TD12A		DRY	FP100-MPG	1.500	8.030	7.490	50-007-005	25500-001	A3540	50-007-010	915210
DRESSER	TD12B		DRY	FP100-MPG	1.500	8.030	7.490	50-007-005	25500-001	A3540	50-007-010	915210
DRESSER	TD12C		DRY	FP100-MPG	1.625	8.810	7.490	50-007-004	25547L	A3540	50-007-003	915211
DRESSER	TD12C-XP		SEALED	FP100-MPG	1.629	8.820	7.490	50-007-004	25547L	A3540	50-007-003	915083
DRESSER	TD14		SEALED	FP100-MPG	1.625	7.870	6.992	50-007-004	25547L	A3540	50-007-003	915041
DRESSER	TD15		SEALED	FP100-MPG	1.625	7.870	6.992	50-007-004	25547L	A3540	50-007-003	915041
DRESSER	TD15B		SEALED	FP100-MPG	1.625	7.870	6.992	50-007-004	25547L	A3540	50-007-003	915041
DRESSER	TD15B		SEALED	FP100-MPG	1.750	8.810	7.500	50-007-010	25548	A3540	50-007-002	915036
DRESSER	TD15C		SEALED	FP100-MPG	1.750	8.810	7.500	50-007-010	25548	A3540	50-007-002	915036
DRESSER	TD15C		SALT	FP100-MPG	1.625	8.810	7.490	50-007-004	25547L	A3540	50-007-003	915021
DRESSER	TD15C	LGP	SALT	FP100-MPG	1.625	8.810	7.490	50-007-004	25547L	A3540	50-007-003	915021
DRESSER	TD15C	SPLIT	SEALED	FP100-MPG	1.625	8.810	7.490	50-007-004	25547L	A3540	50-007-003	915021
DRESSER	TD15C	SPLIT	DRY	FP100-MPG	1.625	8.810	7.490	50-007-004	25547L	A3540	50-007-003	915211
DRESSER	TD15E		SEALED	FP100-MPG	1.750	8.810	7.980	50-007-010	25548	A3540	50-007-002	915108
DRESSER	TD15E		SALT	FP100-MPG	1.750	8.810	7.980	50-007-010	25548	A3540	50-007-002	915109
DRESSER	TD15E	LGP	SALT	FP100-MPG	1.750	8.810	7.980	50-007-010	25548	A3540	50-007-002	915109
DRESSER	TD20B		SEALED	FP100-MPG	1.750	9.310	7.500	50-007-010	25548	A3540	50-007-002	915036
DRESSER	TD20C		SEALED	FP100-MPG	1.750	9.310	7.500	50-007-010	25548	A3540	50-007-002	915036
DRESSER	TD20C		SEALED	FP100-LPG	1.875	9.310	8.500	50-007-003	25551	A3541	50-007-002	915035
DRESSER	TD20E		SALT	FP100-LPG	1.874	10.430	8.500	50-007-003	25551L	A3541	50-007-002	915077
DRESSER	TD20E		DRY	FP100-LPG	1.874	10.430	8.500	50-007-003	25551L	A3541	50-007-002	915212
DRESSER	TD20E		SEALED	FP100-LPG	1.875	10.440	8.500	50-007-003	25551L	A3541	50-007-002	915038





**WTC Machinery  
FP100 Tooling Chart**

6/9/2022

Make	Model	Comments	Type	Basic Pin Group	Pin Dimensions			Disassembly Tooling			Assembly Tooling	
					Dia.	Length	Pitch	Pin Adapter	Forcing Pin	Backing Bushing	Pin Adaptor	PAT
DRESSER	TD20E	SPLIT	SEALED	FP100-LPG	1.875	10.430	8.500	50-007-003	25551L	A3541	50-007-002	915077
DRESSER	TD20G		SALT	FP100-LPG	1.874	10.430	8.500	50-007-003	25551L	A3541	50-007-002	915077
DRESSER	TD20G	LGP	SALT	FP100-LPG	1.874	10.430	8.500	50-007-003	25551L	A3541	50-007-002	915077
DRESSER	TD20G		DRY	FP100-LPG	1.874	10.430	8.500	50-007-003	25551L	A3541	50-007-002	915212
DRESSER	TD24		SEALED	FP100-LPG	1.875	11.000	8.500	50-007-003	25551L	A3541	50-007-002	915037
DRESSER	TD25B		SEALED	FP100-LPG	1.875	11.000	8.500	50-007-003	25551L	A3541	50-007-002	915037
DRESSER	TD25C		SALT	FP100-LPG	2.125	11.000	9.870	50-007-002	25501	A3541	50-007-001	915102
DRESSER	TD25C		SALT	FP100-LPG	2.125	11.000	9.860	50-007-002	25501	A3541	50-007-002	915102
DRESSER	TD25C		SEALED	FP100-LPG	2.125	11.000	9.870	50-007-002	25501	A3541	50-007-001	915102
DRESSER	TD25E		SALT	FP100-LPG	2.125	11.000	9.870	50-007-002	25501	A3541	50-007-001	915102
DRESSER	TD25E		SALT	FP100-LPG	2.125	11.000	9.860	50-007-002	25501	A3541	50-007-001	915102
DRESSER	TD25E		SEALED	FP100-LPG	2.125	11.000	9.870	50-007-002	25501	A3541	50-007-001	915102
DRESSER	TD25E	SPLIT	SEALED	FP100-LPG	2.125	11.000	9.870	50-007-002	25501	A3541	50-007-001	915102
DRESSER	TD25G		SALT	FP100-LPG	2.125	11.000	9.870	50-007-002	25501	A3541	50-007-001	915102
DRESSER	TD25G		DRY	FP100-LPG	2.125	11.000	9.860	50-007-002	25501	A3541	50-007-001	915102
DRESSER	TD30		SALT	FP100-LPG	2.125	11.000	9.860	50-007-002	25501	A3541	50-007-001	915102
DRESSER	TD30		SEALED	FP100-LPG	2.125	11.000	9.870	50-007-002	25501	A3541	50-007-001	915102
DRESSER	TD4		FLUSH	FP100-SPG	1.010	4.750	6.000	50-007-009	200281	A3539	50-007-007	915028
DRESSER	TD5		FLUSH	FP100-SPG	1.010	4.750	6.000	50-007-009	200281	A3539	50-007-007	915028
DRESSER	TD6		SEALED	FP100-SPG	1.250	5.970	6.000	50-007-007	25498	A3539	50-007-005	915034
DRESSER	TD7		SEALED	FP100-SPG	1.250	6.500	5.998	50-007-007	25498	A3539	50-007-005	915040
DRESSER	TD7C		SEALED	FP100-SPG	1.250	6.500	5.998	50-007-007	25498	A3539	50-007-005	915040
DRESSER	TD7E		SEALED	FP100-SPG	1.250	6.500	5.990	50-007-007	25498	A3539	50-007-005	915100
DRESSER	TD7G		SALT	FP100-MPG	1.312	6.690	6.490	50-007-006	25499	A3540	50-007-005	915133
DRESSER	TD7H		DRY	FP100-MPG	1.312	6.690	6.490	50-007-006	25499	A3540	50-007-005	915213
DRESSER	TD8C		SEALED	FP100-MPG	1.375	6.690	6.490	50-007-006	25499	A3540	50-007-004	915048
DRESSER	TD8E		SEALED	FP100-MPG	1.375	6.690	6.490	50-007-006	25499	A3540	50-007-004	915048
DRESSER	TD8G		SALT	FP100-MPG	1.312	6.690	6.490	50-007-006	25499	A3540	50-007-005	915133
DRESSER	TD8G		SEALED	FP100-MPG	1.312	6.690	6.490	50-007-006	25499	A3540	50-007-005	915040
DRESSER	TD-8G		DRY	FP100-MPG	1.312	6.690	6.490	50-007-006	25499	A3540	50-007-005	915213
DRESSER	TD9B		SEALED	FP100-MPG	1.375	6.690	6.490	50-007-006	25499	A3540	50-007-004	915048
DRESSER	TD9H		SALT	FP100-MPG	1.312	6.690	6.490	50-007-006	25499	A3540	50-007-005	915133
FIAT	652		UNSEALED	FP100-SPG	1.250	6.240	6.000	50-007-007	25498	A3539	50-007-005	915004
FIAT	653		UNSEALED	FP100-SPG	1.250	6.240	6.000	50-007-007	25498	A3539	50-007-005	915004
FIAT	655		UNSEALED	FP100-SPG	1.250	6.240	6.000	50-007-007	25498	A3539	50-007-005	915004
FIAT	12G		SEALED	FP100-LPG	1.876	10.270	7.850	50-007-003	25551L	A3541	50-007-002	915020
FIAT	12G		UNSEALED	FP100-LPG	1.874	10.270	7.858	50-007-003	25551L	A3541	50-007-002	915020
FIAT	12GB		SEALED	FP100-LPG	1.878	10.270	7.858	50-007-003	25551L	A3541	50-007-002	915030
FIAT	14B		UNSEALED	FP100-MPG	1.578	8.661	7.480	50-007-004	25547L	A3540	50-007-010	915022
FIAT	AD10		UNSEALED	FP100-MPG	1.459	7.874	6.929	50-007-005	25500	A3540	50-007-004	915022
FIAT	AD10B		UNSEALED	FP100-MPG	1.459	7.874	6.929	50-007-005	25500	A3540	50-007-004	915022
FIAT	AD12		UNSEALED	FP100-MPG	1.578	8.661	7.480	50-007-004	25547L	A3540	50-007-010	915022
FIAT	AD12		SALT	FP100-MPG	1.577	8.660	6.000	50-007-004	25547L	A3540	50-007-010	915022
FIAT	AD14		UNSEALED	FP100-MPG	1.578	8.661	7.480	50-007-004	25547L	A3540	50-007-010	915022
FIAT	AD14		SALT	FP100-MPG	1.577	8.660	6.000	50-007-004	25547L	A3540	50-007-010	915022
FIAT	AD18		UNSEALED	FP100-LPG	1.870	9.840	8.503	50-007-003	25551	A3541	50-007-002	915019
FIAT	AD20		UNSEALED	FP100-LPG	1.870	9.840	8.503	50-007-003	25551	A3541	50-007-002	915019
FIAT	AD4		UNSEALED	FP100-SPG	0.984	5.280	5.512	50-007-009	200281	A3539	50-007-007	915028
FIAT	AD5		UNSEALED	FP100-SPG	1.181	6.100	6.299	50-007-009	200281	A3539	50-007-006	915027
FIAT	AD6		UNSEALED	FP100-MPG	1.377	7.010	6.692	50-007-006	25499	A3540	50-007-004	915025
FIAT	AD7		UNSEALED	FP100-MPG	1.377	7.010	6.692	50-007-006	25499	A3540	50-007-004	915025
FIAT	AD7C		UNSEALED	FP100-MPG	1.377	7.010	6.692	50-007-006	25499	A3540	50-007-004	915025
FIAT	AD8		UNSEALED	FP100-MPG	1.380	7.126	6.693	50-007-006	25499	A3540	50-007-004	915025
FIAT	AD9		UNSEALED	FP100-MPG	1.377	7.010	6.692	50-007-006	25499	A3540	50-007-004	915025
FIAT	B1		UNSEALED	FP100-SPG	0.984	5.280	5.512	50-007-009	200281	A3539	50-007-007	915028
FIAT	BD10		UNSEALED	FP100-MPG	1.459	7.874	6.929	50-007-005	25500	A3540	50-007-004	915022
FIAT	BD10B		UNSEALED	FP100-MPG	1.459	7.874	6.929	50-007-005	25500	A3540	50-007-004	915022
FIAT	BD12		UNSEALED	FP100-MPG	1.578	8.661	7.480	50-007-004	25547L	A3540	50-007-010	915022
FIAT	BD12		SALT	FP100-MPG	1.577	8.660	6.000	50-007-004	25547L	A3540	50-007-010	915022
FIAT	BD14		UNSEALED	FP100-MPG	1.578	8.661	7.480	50-007-004	25547L	A3540	50-007-010	915022
FIAT	BD14		SALT	FP100-MPG	1.577	8.660	6.000	50-007-004	25547L	A3540	50-007-010	915022
FIAT	BD18		UNSEALED	FP100-LPG	1.870	9.840	8.503	50-007-003	25551	A3541	50-007-002	915019
FIAT	BD20		UNSEALED	FP100-LPG	1.870	9.840	8.503	50-007-003	25551	A3541	50-007-002	915019
FIAT	BD7		UNSEALED	FP100-MPG	1.377	7.010	6.692	50-007-006	25499	A3540	50-007-004	915025
FIAT	BD7C		UNSEALED	FP100-MPG	1.377	7.010	6.692	50-007-006	25499	A3540	50-007-004	915025
FIAT	BD8		UNSEALED	FP100-MPG	1.380	7.126	6.693	50-007-006	25499	A3540	50-007-004	915025
FIAT	BD9		UNSEALED	FP100-MPG	1.377	7.010	6.692	50-007-006	25499	A3540	50-007-004	915025
FIAT	F318		SEALED	FP100-MPG	1.377	7.165	6.692	50-007-006	25499	A3540	50-007-004	915154
FIAT	FA200		SALT	FP100-MPG	1.577	8.660	6.000	50-007-004	25547L	A3540	50-007-010	915022
FIAT	FD14		SALT	FP100-MPG	1.577	8.660	6.000	50-007-004	25547L	A3540	50-007-010	915022
FIAT	FD20		UNSEALED	FP100-LPG	1.873	9.843	8.504	50-007-003	25551	A3541	50-007-002	915019
FIAT	FD20		SALT	FP100-LPG	1.880	9.900	8.503	50-007-003	25551	A3541	50-007-002	915006
FIAT	FD30		UNSEALED	FP100-LPG	2.036	11.660	9.042	50-007-003	25551L	A3541	50-007-001	915016
FIAT	FD30		SALT	FP100-LPG	2.036	11.650	9.035	50-007-003	25551L	A3541	50-007-001	915105
FIAT	FD5		UNSEALED	FP100-SPG	1.143	6.457	6.299	50-007-009	200281	A3539	50-007-006	915120
FIAT	FD5		SALT	FP100-SPG	1.260	6.420	6.299	50-007-007	25498	A3539	50-007-005	915130



**WTC Machinery  
FP100 Tooling Chart**

6/9/2022

Make	Model	Comments	Type	Basic Pin Group	Pin Dimensions			Disassembly Tooling			Assembly Tooling	
					Dia.	Length	Pitch	Pin Adapter	Forcing Pin	Backing Bushing	Pin Adaptor	PAT
FIAT	FD7		UNSEALED	FP100-SPG	1.143	6.457	6.299	50-007-009	200281	A3539	50-007-006	915120
FIAT	FD7		SALT	FP100-SPG	1.260	6.420	6.299	50-007-007	25498	A3539	50-007-005	915130
FIAT	FD9		UNSEALED	FP100-MPG	1.382	7.170	6.692	50-007-006	25499	A3540	50-007-004	915014
FIAT	FD9		SALT	FP100-MPG	1.382	7.170	6.692	50-007-006	25499	A3540	50-007-004	915014
FIAT	FE16		SEALED	FP100-MPG	1.377	7.165	6.692	50-007-006	25499	A3540	50-007-004	915154
FIAT	FE20		SEALED	FP100-MPG	1.377	7.165	6.692	50-007-006	25499	A3540	50-007-004	915154
FIAT	FE20LC		SEALED	FP100-MPG	1.377	7.165	6.692	50-007-006	25499	A3540	50-007-004	915154
FIAT	FE8LC		SEALED	FP100-MPG	1.377	7.165	6.692	50-007-006	25499	A3540	50-007-004	915154
FIAT	FH120		SEALED	FP100-MPG	1.377	7.165	6.692	50-007-006	25499	A3540	50-007-004	915154
FIAT	FH150		SEALED	FP100-MPG	1.377	7.165	6.692	50-007-006	25499	A3540	50-007-004	915154
FIAT	FH150LC		SEALED	FP100-MPG	1.377	7.165	6.692	50-007-006	25499	A3540	50-007-004	915154
FIAT	FH200		SEALED	FP100-MPG	1.458	8.031	6.929	50-007-005	25500-001	A3540	50-007-004	915118
FIAT	FH200LC		SEALED	FP100-MPG	1.458	8.031	6.929	50-007-005	25500-001	A3540	50-007-004	915118
FIAT	FL10		UNSEALED	FP100-MPG	1.459	7.874	6.929	50-007-005	25500	A3540	50-007-004	915022
FIAT	FL10B		UNSEALED	FP100-MPG	1.459	7.874	6.929	50-007-005	25500	A3540	50-007-004	915022
FIAT	FL12		UNSEALED	FP100-MPG	1.578	8.661	7.480	50-007-004	25547L	A3540	50-007-010	915022
FIAT	FL14		UNSEALED	FP100-MPG	1.578	8.661	7.480	50-007-004	25547L	A3540	50-007-010	915022
FIAT	FL14		SALT	FP100-MPG	1.577	8.660	6.000	50-007-004	25547L	A3540	50-007-010	915022
FIAT	FL14B		UNSEALED	FP100-MPG	1.578	8.661	7.480	50-007-004	25547L	A3540	50-007-010	915022
FIAT	FL14C		UNSEALED	FP100-MPG	1.578	8.661	7.480	50-007-004	25547L	A3540	50-007-010	915022
FIAT	FL14D		SALT	FP100-MPG	1.577	8.660	6.000	50-007-004	25547L	A3540	50-007-010	915022
FIAT	FL14E		SALT	FP100-MPG	1.577	8.660	6.000	50-007-004	25547L	A3540	50-007-010	915022
FIAT	FL20	S/N 7607 & DN	UNSEALED	FP100-LPG	1.873	9.843	8.504	50-007-003	25551	A3541	50-007-002	915006
FIAT	FL20	7608 & UP	SALT	FP100-LPG	1.880	9.900	8.503	50-007-003	25551	A3541	50-007-002	915006
FIAT	FL4	Berco	UNSEALED	FP100-SPG	0.984	5.354	5.512	50-007-009	200281	A3539	50-007-007	915046
FIAT	FL4AC		UNSEALED	FP100-SPG	0.984	5.280	5.512	50-007-009	200281	A3539	50-007-007	915028
FIAT	FL4AD		UNSEALED	FP100-SPG	0.984	5.280	5.512	50-007-009	200281	A3539	50-007-007	915028
FIAT	FL4L		UNSEALED	FP100-SPG	0.984	5.280	5.512	50-007-009	200281	A3539	50-007-007	915028
FIAT	FL5		UNSEALED	FP100-SPG	1.143	6.457	6.299	50-007-009	200281	A3539	50-007-006	915120
FIAT	FL5		SALT	FP100-SPG	1.260	6.420	6.299	50-007-007	25498	A3539	50-007-005	915130
FIAT	FL5B		SALT	FP100-SPG	1.260	6.420	6.299	50-007-007	25498	A3539	50-007-005	915130
FIAT	FL6	Berco	UNSEALED	FP100-SPG	1.181	6.102	6.299	50-007-009	200281	A3539	50-007-006	915027
FIAT	FL6		UNSEALED	FP100-SPG	1.181	6.100	6.299	50-007-009	200281	A3539	50-007-006	915027
FIAT	FL7		UNSEALED	FP100-SPG	1.143	6.457	6.299	50-007-009	200281	A3539	50-007-006	915120
FIAT	FL7		SALT	FP100-SPG	1.260	6.420	6.299	50-007-007	25498	A3539	50-007-005	915130
FIAT	FL7		UNSEALED	FP100-MPG	1.377	7.010	6.692	50-007-006	25499	A3540	50-007-004	915025
FIAT	FL7B		SALT	FP100-SPG	1.260	6.420	6.299	50-007-007	25498	A3539	50-007-005	915130
FIAT	FL8		UNSEALED	FP100-MPG	1.377	7.010	6.692	50-007-006	25499	A3540	50-007-004	915025
FIAT	FL8C		UNSEALED	FP100-MPG	1.377	7.010	6.692	50-007-006	25499	A3540	50-007-004	915025
FIAT	FL9		UNSEALED	FP100-MPG	1.380	7.126	6.693	50-007-006	25499	A3540	50-007-004	915025
FIAT	GH11E	S/N 10000 & DN	UNSEALED	FP100-MPG	1.565	8.140	7.000	50-007-004	25547L	A3540	50-007-010	915214
FIAT	H3			FP100-SPG	1.253	5.840	6.000	50-007-007	25498	A3539	50-007-005	915219
FIAT	H4		UNSEALED	FP100-SPG	1.250	6.240	6.000	50-007-007	25498	A3539	50-007-005	915004
FIAT	H4			FP100-SPG	1.253	5.840	6.000	50-007-007	25498	A3539	50-007-005	915219
FIAT	HD10			FP100-MPG	1.753	8.370	7.850	50-007-010	25548	A3540	50-007-002	915220
FIAT	HD11	S/N 7538-10000	SEALED	FP100-MPG	1.562	8.140	7.000	50-007-004	25547L	A3540	50-007-010	915031
FIAT	HD11	SN 5901 & UP	SEALED	FP100-MPG	1.620	8.400	7.006	50-007-004	25547L	A3540	50-007-003	915024
FIAT	HD11	S/N 10001 & UP	UNSEALED	FP100-MPG	1.620	8.400	7.006	50-007-004	25547L	A3540	50-007-003	915024
FIAT	HD11	S/N 1000 & DN	UNSEALED	FP100-MPG	1.565	8.140	7.006	50-007-004	25547L	A3540	50-007-010	915023
FIAT	HD11B		SEALED	FP100-MPG	1.620	8.400	7.006	50-007-004	25547L	A3540	50-007-003	915024
FIAT	HD11B	S/N 10001-19484	UNSEALED	FP100-MPG	1.620	8.400	7.006	50-007-004	25547L	A3540	50-007-003	915024
FIAT	HD11B	S/N 19485 & UP	UNSEALED	FP100-MPG	1.620	8.600	7.006	50-007-004	25547L	A3540	50-007-003	915215
FIAT	HD11E	S/N 10000 & DN	SEALED	FP100-MPG	1.565	8.140	7.006	50-007-004	25547L	A3540	50-007-010	915023
FIAT	HD11G	S/N 8940 & DN	SEALED	FP100-MPG	1.565	8.140	7.006	50-007-004	25547L	A3540	50-007-010	915023
FIAT	HD11G	S/N 8940 & DN	UNSEALED	FP100-MPG	1.565	8.140	7.000	50-007-004	25547L	A3540	50-007-010	915214
FIAT	HD11G	S/N 8940 & UP	UNSEALED	FP100-MPG	1.565	8.140	7.006	50-007-004	25547L	A3540	50-007-010	915023
FIAT	HD14			FP100-LPG	1.878	9.670	7.850	50-007-003	25551	A3541	50-007-002	915216
FIAT	HD14			FP100-LPG	1.875	9.670	7.850	50-007-003	25551	A3541	50-007-002	915020
FIAT	HD15		UNSEALED	FP100-MPG	1.753	9.330	7.858	50-007-010	25548	A3540	50-007-002	915021
FIAT	HD16	S/N 5901 & UP	SEALED	FP100-LPG	1.876	10.270	7.850	50-007-003	25551	A3541	50-007-002	915020
FIAT	HD16	S/N 5900 & DN	UNSEALED	FP100-MPG	1.753	9.330	7.858	50-007-010	25548	A3540	50-007-002	915021
FIAT	HD16	S/N 5901 & UP	UNSEALED	FP100-LPG	1.874	10.270	7.858	50-007-003	25551	A3541	50-007-002	915020
FIAT	HD16B		SEALED	FP100-LPG	1.878	10.270	7.858	50-007-003	25551	A3541	50-007-002	915030
FIAT	HD19		SEALED	FP100-LPG	1.878	11.660	9.008	50-007-003	25551L	A3541	50-007-002	915017
FIAT	HD19		UNSEALED	FP100-LPG	1.876	11.660	9.000	50-007-003	25551L	A3541	50-007-002	915217
FIAT	HD19		SEALED	FP100-LPG	1.876	11.660	9.000	50-007-003	25551L	A3541	50-007-002	915017
FIAT	HD20		SEALED	FP100-LPG	1.878	11.660	9.008	50-007-003	25551L	A3541	50-007-002	915017
FIAT	HD20		UNSEALED	FP100-LPG	1.876	11.660	9.000	50-007-003	25551L	A3541	50-007-002	915217
FIAT	HD20		SEALED	FP100-LPG	1.876	11.660	9.000	50-007-003	25551L	A3541	50-007-002	915017
FIAT	HD21	S/N 13871-14942	SEALED	FP100-LPG	1.878	11.660	9.008	50-007-003	25551L	A3541	50-007-002	915017
FIAT	HD21		UNSEALED	FP100-LPG	1.878	11.660	9.008	50-007-003	25551L	A3541	50-007-002	915017
FIAT	HD21	S/N14943 & UP	SEALED	FP100-LPG	1.878	11.660	9.008	50-007-003	25551L	A3541	50-007-002	915017
FIAT	HD21	S/N 14942 & DN	UNSEALED	FP100-LPG	1.878	11.660	9.008	50-007-003	25551L	A3541	50-007-002	915221
FIAT	HD21B		SEALED	FP100-LPG	1.876	11.660	9.000	50-007-003	25551L	A3541	50-007-002	915016
FIAT	HD21B		UNSEALED	FP100-LPG	1.876	11.660	9.000	50-007-003	25551L	A3541	50-007-002	915018
FIAT	HD21C		UNSEALED	FP100-LPG	2.036	11.660	9.042	50-007-003	25551L	A3541	50-007-001	915016



**WTC Machinery  
FP100 Tooling Chart**

6/9/2022

Make	Model	Comments	Type	Basic Pin Group	Pin Dimensions			Disassembly Tooling			Assembly Tooling	
					Dia.	Length	Pitch	Pin Adapter	Forcing Pin	Backing Bushing	Pin Adaptor	PAT
FIAT	HD21P	S/N 14942 & DN	UNSEALED	FP100-LPG	1.876	11.660	9.000	50-007-003	25551L	A3541	50-007-002	915217
FIAT	HD21P	S/N 14942 & DN	SEALED	FP100-LPG	1.876	11.660	9.000	50-007-003	25551L	A3541	50-007-002	915017
FIAT	HD21P	S/N 14943 & UP	UNSEALED	FP100-LPG	1.878	11.660	9.008	50-007-003	25551L	A3541	50-007-002	915017
FIAT	HD3			FP100-SPG	1.253	5.840	6.000	50-007-007	25498	A3539	50-007-005	915219
FIAT	HD4	S/N 3001 & UP	UNSEALED	FP100-SPG	1.250	6.240	6.000	50-007-007	25498	A3539	50-007-005	915004
FIAT	HD4			FP100-SPG	1.253	5.840	6.000	50-007-007	25498	A3539	50-007-005	915219
FIAT	HD5		SEALED	FP100-MPG	1.375	6.910	6.495	50-007-006	25499	A3540	50-007-004	915014
FIAT	HD5		UNSEALED	FP100-MPG	1.375	6.910	6.495	50-007-006	25499	A3540	50-007-004	915014
FIAT	HD5			FP100-MPG	1.753	8.370	7.850	50-007-010	25548	A3540	50-007-002	915220
FIAT	HD50			FP100-MPG	1.753	8.370	7.850	50-007-010	25548	A3540	50-007-002	915220
FIAT	HD6		SEALED	FP100-MPG	1.375	6.910	6.495	50-007-006	25499	A3540	50-007-004	915014
FIAT	HD6		UNSEALED	FP100-MPG	1.375	6.910	6.495	50-007-006	25499	A3540	50-007-004	915014
FIAT	HD7	S/N 1102 & DN	UNSEALED	FP100-MPG	1.738	7.510	6.500	50-007-010	25548	A3540	50-007-002	915026
FIAT	HD7	S/N 1103 & UP	UNSEALED	FP100-MPG	1.565	8.140	6.500	50-007-004	25547L	A3540	50-007-010	915023
FIAT	HD7G		SEALED	FP100-MPG	1.565	8.140	7.006	50-007-004	25547L	A3540	50-007-010	915023
FIAT	HD7G		UNSEALED	FP100-MPG	1.565	8.140	7.006	50-007-004	25547L	A3540	50-007-010	915214
FIAT	HD7G		UNSEALED	FP100-MPG	1.565	8.140	7.006	50-007-004	25547L	A3540	50-007-010	915023
FIAT	HD7G-B		SEALED	FP100-MPG	1.562	8.140	7.000	50-007-004	25547L	A3540	50-007-010	915031
FIAT	HD9		SEALED	FP100-MPG	1.565	8.140	7.006	50-007-004	25547L	A3540	50-007-010	915023
FIAT	HD9		UNSEALED	FP100-MPG	1.565	8.140	7.006	50-007-004	25547L	A3540	50-007-010	915214
FIAT	HD9		UNSEALED	FP100-MPG	1.565	8.140	7.006	50-007-004	25547L	A3540	50-007-010	915023
FIAT	K		UNSEALED	FP100-MPG	1.738	7.510	6.500	50-007-010	25548	A3540	50-007-002	915026
FIAT	KO		UNSEALED	FP100-MPG	1.738	7.510	6.500	50-007-010	25548	A3540	50-007-002	915026
FIAT	PH130		SEALED	FP100-MPG	1.377	7.165	6.692	50-007-006	25499	A3540	50-007-004	915154
FIAT	S11		SEALED	FP100-MPG	1.377	7.165	6.692	50-007-006	25499	A3540	50-007-004	915154
FIAT	S9		SEALED	FP100-MPG	1.377	7.165	6.692	50-007-006	25499	A3540	50-007-004	915154
FIAT	SL11	33/281 & UP	SEALED	FP100-MPG	1.377	7.165	6.692	50-007-006	25499	A3540	50-007-004	915154
FIAT	SL9	30/241 & UP	SEALED	FP100-MPG	1.377	7.165	6.692	50-007-006	25499	A3540	50-007-004	915154
HITACHI	EX100		UNSEALED	FP100-MPG	1.315	7.283	6.736	50-007-006	25499	A3540	50-007-005	915223
HITACHI	EX120		UNSEALED	FP100-MPG	1.315	7.283	6.736	50-007-006	25499	A3540	50-007-005	915223
HITACHI	EX150		SEALED	FP100-MPG	1.378	7.598	6.750	50-007-006	25499	A3540	50-007-004	915002
HITACHI	EX200		SEALED	FP100-MPG	1.442	8.346	7.484	50-007-005	25500-001	A3540	50-007-004	915134
HITACHI	EX220		SEALED	FP100-MPG	1.496	8.346	7.480	50-007-005	25500-001	A3540	50-007-010	915042
HITACHI	EX300		SEALED	FP100-MPG	1.750	9.650	8.000	50-007-010	25548	A3540	50-007-002	915121
HITACHI	EX400		SEALED	FP100-LPG	1.875	10.000	8.500	50-007-003	25551	A3541	50-007-002	915012
HITACHI	EX550		SEALED	FP100-LPG	1.909	11.570	9.000	50-007-003	25551L	A3541	50-007-002	915087
HITACHI	EX90		UNSEALED	FP100-MPG	1.315	7.283	6.736	50-007-006	25499	A3540	50-007-005	915223
HITACHI	UH083		SALT	FP100-MPG	1.440	8.110	6.909	50-007-005	25500-001	A3540	50-007-004	915042
HITACHI	ZX350		SEALED	FP100-MPG	1.750	9.650	8.000	50-007-010	25548	A3540	50-007-002	915121
HYUNDAI	R160LC-9			FP100-MPG	1.403		7.000	50-007-006	25499	A3540	50-007-004	
JCB	JS220		SALT	FP100-MPG	1.752	9.933	8.000	50-007-010	25548	A3540	50-007-002	915084
JCB	JS300		SALT	FP100-MPG	1.752	9.933	8.000	50-007-010	25548	A3540	50-007-002	915084
JCB	JS330		SALT	FP100-MPG	1.752	9.933	8.000	50-007-010	25548	A3540	50-007-002	915084
JCB	JS360		SALT	FP100-MPG	1.752	9.933	8.000	50-007-010	25548	A3540	50-007-002	915084
JOHN DEERE	50		SEALED	FP100-SPG	0.867	4.840	5.315	50-007-011	25503	A3539	50-007-008	915027
JOHN DEERE	70		SEALED	FP100-SPG	1.190	6.102	6.063	50-007-007	25498	A3539	50-007-006	915025
JOHN DEERE	80		SEALED	FP100-SPG	0.950	5.157	6.062	50-007-009	200281	A3539	50-007-007	915074
JOHN DEERE	110		SEALED	FP100-MPG	1.319	7.008	6.750	50-007-006	25499	A3540	50-007-005	915002
JOHN DEERE	120		SEALED	FP100-MPG	1.319	7.008	6.750	50-007-006	25499	A3540	50-007-005	915002
JOHN DEERE	135		SEALED	FP100-MPG	1.319	7.008	6.750	50-007-006	25499	A3540	50-007-005	915002
JOHN DEERE	350		FLUSH	FP100-SPG	1.192	5.470	5.749	50-007-007	25498	A3539	50-007-006	915065
JOHN DEERE	370		SEALED	FP100-LPG	1.873	10.000	8.500	50-007-003	25551	A3541	50-007-002	915087
JOHN DEERE	440		FLUSH	FP100-SPG	1.004	5.469	5.749	50-007-009	200281	A3539	50-007-007	915064
JOHN DEERE	450		FLUSH	FP100-MPG	1.377	6.080	6.290	50-007-006	25499	A3540	50-007-004	915056
JOHN DEERE	450		RECESSED	FP100-MPG	1.376	6.080	6.290	50-007-006	25499	A3540	50-007-004	915056
JOHN DEERE	490		RECESSED	FP100-MPG	1.320	6.970	6.750	50-007-006	25499	A3540	50-007-005	915074
JOHN DEERE	550		SEALED	FP100-MPG	1.376	6.200	6.290	50-007-006	25499	A3540	50-007-004	915074
JOHN DEERE	555		SEALED	FP100-MPG	1.376	6.200	6.290	50-007-006	25499	A3540	50-007-004	915074
JOHN DEERE	590	S/N 001787 & UP		FP100-MPG	1.366	7.598	6.750	50-007-006	25499	A3540	50-007-004	915228
JOHN DEERE	655		SEALED	FP100-MPG	1.440	8.110	6.909	50-007-005	25500-001	A3540	50-007-004	915042
JOHN DEERE	655		SALT	FP100-MPG	1.440	8.110	6.991	50-007-005	25500-001	A3540	50-007-004	915042
JOHN DEERE	700		SALT	FP100-MPG	1.440	8.110	6.991	50-007-005	25500-001	A3540	50-007-004	915042
JOHN DEERE	750		SEALED	FP100-MPG	1.440	8.110	6.909	50-007-005	25500-001	A3540	50-007-004	915042
JOHN DEERE	750		SALT	FP100-MPG	1.440	8.110	6.991	50-007-005	25500-001	A3540	50-007-004	915042
JOHN DEERE	755		SEALED	FP100-MPG	1.440	8.110	6.909	50-007-005	25500-001	A3540	50-007-004	915042
JOHN DEERE	755		SALT	FP100-MPG	1.440	8.110	6.991	50-007-005	25500-001	A3540	50-007-004	915042
JOHN DEERE	790		SEALED	FP100-MPG	1.496	8.580	7.480	50-007-005	25500-001	A3540	50-007-010	915022
JOHN DEERE	792		SEALED	FP100-MPG	1.750	9.646	8.000	50-007-010	25548	A3540	50-007-002	915121
JOHN DEERE	850		SEALED	FP100-MPG	1.750	9.060	8.000	50-007-010	25548	A3540	50-007-002	915013
JOHN DEERE	855		SEALED	FP100-LPG	1.878	9.902	8.500	50-007-003	25551	A3541	50-007-002	915083
JOHN DEERE	855		SALT	FP100-LPG	1.881	9.882	8.500	50-007-003	25551	A3541	50-007-002	915006
JOHN DEERE	890		SEALED	FP100-LPG	1.878	9.902	8.500	50-007-003	25551	A3541	50-007-002	915083
JOHN DEERE	890		RECESSED	FP100-LPG	1.880	9.900	8.500	50-007-003	25551	A3541	50-007-002	915227
JOHN DEERE	990		SEALED	FP100-LPG	1.878	9.902	8.500	50-007-003	25551	A3541	50-007-002	915083
JOHN DEERE	1280	EXC		FP100-MPG	1.439	8.110	6.900	50-007-006	25499	A3540	50-007-004	915229
JOHN DEERE	2010	S/N 42001 & UP	FLUSH	FP100-SPG	1.192	5.470	5.749	50-007-007	25498	A3539	50-007-006	915065



**WTC Machinery  
FP100 Tooling Chart**

6/9/2022

Make	Model	Comments	Type	Basic Pin Group	Pin Dimensions			Disassembly Tooling			Assembly Tooling	
					Dia.	Length	Pitch	Pin Adapter	Forcing Pin	Backing Bushing	Pin Adaptor	PAT
JOHN DEERE	2010	S/N 42000 & DN	FLUSH	FP100-SPG	1.004	5.469	5.749	50-007-009	200281	A3539	50-007-007	915064
JOHN DEERE	1050C			FP100-LPG	2.000	10.310	8.500	50-007-003	25551	A3541	50-007-001	915172
JOHN DEERE	1050J			FP100-LPG	2.000	10.310	8.500	50-007-003	25551	A3541	50-007-001	915172
JOHN DEERE	1050K		SALT	FP100-LPG	1.878	9.921	8.500	50-007-003	25551	A3541	50-007-002	915102
JOHN DEERE	1150D		SALT	FP100-MPG	1.440	8.110	6.678	50-007-005	25500-001	A3540	50-007-004	915215
JOHN DEERE	1155D		SALT	FP100-MPG	1.440	8.110	6.678	50-007-005	25500-001	A3540	50-007-004	915215
JOHN DEERE	120 EXC		SEALED	FP100-SPG	1.300	7.240	6.960	50-007-007	25498	A3539	50-007-005	915059
JOHN DEERE	120C		SEALED	FP100-MPG	1.319	7.008	6.750	50-007-006	25499	A3540	50-007-005	915002
JOHN DEERE	160LC		SEALED	FP100-MPG	1.493	8.366	7.480	50-007-005	25500-001	A3540	50-007-010	915042
JOHN DEERE	190E		SEALED	FP100-SPG	1.190	6.102	6.063	50-007-007	25498	A3539	50-007-006	915025
JOHN DEERE	190E			FP100-SPG	1.190	6.102	6.063	50-007-007	25498	A3539	50-007-006	915230
JOHN DEERE	200LC		SEALED	FP100-MPG	1.493	8.366	7.480	50-007-005	25500-001	A3540	50-007-010	915042
JOHN DEERE	230		SEALED	FP100-MPG	1.493	8.366	7.480	50-007-005	25500-001	A3540	50-007-010	915042
JOHN DEERE	230CLC		SEALED	FP100-MPG	1.496	8.583	7.480	50-007-005	25500-001	A3540	50-007-010	915023
JOHN DEERE	230LC		SEALED	FP100-MPG	1.496	8.583	7.480	50-007-005	25500-001	A3540	50-007-010	915023
JOHN DEERE	240D		SEALED	FP100-MPG	1.496	8.583	7.480	50-007-005	25500-001	A3540	50-007-010	915023
JOHN DEERE	270CLC		SEALED	FP100-MPG	1.760	9.520	8.500	50-007-010	25548	A3540	50-007-002	915162
JOHN DEERE	270LC		SEALED	FP100-MPG	1.750	9.646	8.000	50-007-010	25548	A3540	50-007-002	915121
JOHN DEERE	290D		SEALED	FP100-SPG	1.181	6.456	6.125	50-007-009	200281	A3539	50-007-006	915136
JOHN DEERE	291		SEALED	FP100-SPG	1.181	6.456	6.125	50-007-009	200281	A3539	50-007-006	915136
JOHN DEERE	330CLC		SEALED	FP100-MPG	1.760	9.520	8.500	50-007-010	25548	A3540	50-007-002	915162
JOHN DEERE	330LC	EXC	SEALED	FP100-MPG	1.760	9.520	8.500	50-007-010	25548	A3540	50-007-002	915162
JOHN DEERE	350B		FLUSH	FP100-SPG	1.192	5.470	5.749	50-007-007	25498	A3539	50-007-006	915065
JOHN DEERE	350C		FLUSH	FP100-SPG	1.192	5.470	5.749	50-007-007	25498	A3539	50-007-006	915065
JOHN DEERE	350D		SEALED	FP100-SPG	1.192	5.380	5.749	50-007-007	25498	A3539	50-007-006	915027
JOHN DEERE	400G		SEALED	FP100-SPG	1.192	5.380	5.749	50-007-007	25498	A3539	50-007-006	915027
JOHN DEERE	420C		FLUSH	FP100-SPG	1.004	5.469	5.749	50-007-009	200281	A3539	50-007-007	915064
JOHN DEERE	450B		RECESSED	FP100-MPG	1.376	6.080	6.290	50-007-006	25499	A3540	50-007-004	915056
JOHN DEERE	450C	S/N 216337 & DN	RECESSED	FP100-MPG	1.376	6.080	6.290	50-007-006	25499	A3540	50-007-004	915056
JOHN DEERE	450C		SALT	FP100-SPG	1.256	6.378	6.290	50-007-007	25498	A3539	50-007-005	915014
JOHN DEERE	450C	S/N 216338 & UP	SEALED	FP100-MPG	1.376	6.200	6.290	50-007-006	25499	A3540	50-007-004	915074
JOHN DEERE	450CLC		SEALED	FP100-LPG	1.873	10.000	8.500	50-007-003	25551	A3541	50-007-002	915087
JOHN DEERE	450D		SEALED	FP100-SPG	1.259	6.358	6.290	50-007-007	25498	A3539	50-007-005	915046
JOHN DEERE	450D		SALT	FP100-SPG	1.256	6.378	6.290	50-007-007	25498	A3539	50-007-005	915014
JOHN DEERE	450E		SEALED	FP100-SPG	1.259	6.358	6.290	50-007-007	25498	A3539	50-007-005	915046
JOHN DEERE	450G		SEALED	FP100-SPG	1.259	6.358	6.290	50-007-007	25498	A3539	50-007-005	915046
JOHN DEERE	450G		SALT	FP100-SPG	1.256	6.378	6.290	50-007-007	25498	A3539	50-007-005	915014
JOHN DEERE	450H		SEALED	FP100-SPG	1.259	6.358	6.290	50-007-007	25498	A3539	50-007-005	915046
JOHN DEERE	450H		SALT	FP100-SPG	1.256	6.378	6.290	50-007-007	25498	A3539	50-007-005	915014
JOHN DEERE	450J		SEALED	FP100-SPG	1.259	6.358	6.290	50-007-007	25498	A3539	50-007-005	915046
JOHN DEERE	450J		SALT	FP100-SPG	1.256	6.378	6.290	50-007-007	25498	A3539	50-007-005	915014
JOHN DEERE	450LC		SEALED	FP100-LPG	1.873	10.000	8.500	50-007-003	25551	A3541	50-007-002	915087
JOHN DEERE	455D		SEALED	FP100-MPG	1.259	6.358	6.290	50-007-007	25498	A3539	50-007-005	915046
JOHN DEERE	455G		SEALED	FP100-SPG	1.259	6.358	6.290	50-007-007	25498	A3539	50-007-005	915046
JOHN DEERE	455G		SALT	FP100-SPG	1.256	6.378	6.290	50-007-007	25498	A3539	50-007-005	915014
JOHN DEERE	490D		SEALED	FP100-MPG	1.319	7.008	6.750	50-007-006	25499	A3540	50-007-005	915002
JOHN DEERE	490E		SEALED	FP100-MPG	1.330	6.700	6.730	50-007-006	25499	A3540	50-007-005	915166
JOHN DEERE	550A		SEALED	FP100-SPG	1.259	6.358	6.290	50-007-007	25498	A3539	50-007-005	915046
JOHN DEERE	550A		SALT	FP100-SPG	1.256	6.378	6.290	50-007-007	25498	A3539	50-007-005	915014
JOHN DEERE	550B		SEALED	FP100-SPG	1.259	6.358	6.290	50-007-007	25498	A3539	50-007-005	915046
JOHN DEERE	550B		SALT	FP100-SPG	1.256	6.378	6.290	50-007-007	25498	A3539	50-007-005	915014
JOHN DEERE	550G		SALT	FP100-SPG	1.256	6.378	6.290	50-007-007	25498	A3539	50-007-005	915014
JOHN DEERE	550G		SEALED	FP100-SPG	1.259	6.358	6.290	50-007-007	25498	A3539	50-007-005	915046
JOHN DEERE	550H		SEALED	FP100-SPG	1.259	6.358	6.290	50-007-007	25498	A3539	50-007-005	915046
JOHN DEERE	550H		SALT	FP100-SPG	1.256	6.378	6.290	50-007-007	25498	A3539	50-007-005	915014
JOHN DEERE	550J		SALT	FP100-SPG	1.256	6.378	6.290	50-007-007	25498	A3539	50-007-005	915014
JOHN DEERE	555G		SALT	FP100-MPG	1.310	7.240	6.734	50-007-006	25499	A3540	50-007-005	915089
JOHN DEERE	555G		SEALED	FP100-MPG	1.318	7.224	6.290	50-007-006	25499	A3540	50-007-005	915089
JOHN DEERE	590D		SEALED	FP100-MPG	1.378	7.598	6.750	50-007-006	25499	A3540	50-007-004	915002
JOHN DEERE	590D	S/N 1787 & UP	SEALED	FP100-MPG	1.366	7.598	6.750	50-007-006	25499	A3540	50-007-004	915142
JOHN DEERE	650G		SALT	FP100-MPG	1.310	7.240	6.734	50-007-006	25499	A3540	50-007-005	915089
JOHN DEERE	650G		SEALED	FP100-MPG	1.318	7.224	6.290	50-007-006	25499	A3540	50-007-005	915089
JOHN DEERE	650H		SALT	FP100-MPG	1.310	7.240	6.734	50-007-006	25499	A3540	50-007-005	915089
JOHN DEERE	650H		SEALED	FP100-MPG	1.318	7.224	6.290	50-007-006	25499	A3540	50-007-005	915089
JOHN DEERE	650J		SALT	FP100-MPG	1.310	7.240	6.734	50-007-006	25499	A3540	50-007-005	915089
JOHN DEERE	650J		SEALED	FP100-MPG	1.318	7.224	6.290	50-007-006	25499	A3540	50-007-005	915089
JOHN DEERE	655B		SALT	FP100-MPG	1.440	8.110	6.991	50-007-005	25500-001	A3540	50-007-004	915042
JOHN DEERE	690A		RECESSED	FP100-MPG	1.320	6.970	6.750	50-007-006	25499	A3540	50-007-005	915074
JOHN DEERE	690B		RECESSED	FP100-MPG	1.320	6.970	6.750	50-007-006	25499	A3540	50-007-005	915074
JOHN DEERE	690C		RECESSED	FP100-MPG	1.320	6.970	6.750	50-007-006	25499	A3540	50-007-005	915074
JOHN DEERE	690D		RECESSED	FP100-MPG	1.320	6.970	6.750	50-007-006	25499	A3540	50-007-005	915074
JOHN DEERE	690E		SEALED	FP100-MPG	1.437	8.150	7.480	50-007-006	25499	A3540	50-007-004	915079
JOHN DEERE	690ELC		SEALED	FP100-MPG	1.437	8.150	7.480	50-007-006	25499	A3540	50-007-004	915079
JOHN DEERE	693B		RECESSED	FP100-MPG	1.320	6.970	6.750	50-007-006	25499	A3540	50-007-005	915074
JOHN DEERE	693D		SEALED	FP100-MPG	1.440	8.110	6.909	50-007-005	25500-001	A3540	50-007-004	915042
JOHN DEERE	700J		SALT	FP100-MPG	1.440	8.110	6.991	50-007-005	25500-001	A3540	50-007-004	915042



**WTC Machinery  
FP100 Tooling Chart**

6/9/2022

Make	Model	Comments	Type	Basic Pin Group	Pin Dimensions			Disassembly Tooling			Assembly Tooling	
					Dia.	Length	Pitch	Pin Adapter	Forcing Pin	Backing Bushing	Pin Adapter	PAT
JOHN DEERE	70D		SEALED	FP100-SPG	1.190	6.102	6.063	50-007-007	25498	A3539	50-007-006	915025
JOHN DEERE	750B		SEALED	FP100-MPG	1.440	8.110	6.909	50-007-005	25500-001	A3540	50-007-004	915042
JOHN DEERE	750B		SALT	FP100-MPG	1.440	8.110	6.991	50-007-005	25500-001	A3540	50-007-004	915042
JOHN DEERE	750C		SALT	FP100-MPG	1.437	8.125	7.480	50-007-006	25499	A3540	50-007-004	915052
JOHN DEERE	750J		SALT	FP100-MPG	1.496	9.390	7.480	50-007-005	25500L	A3540	50-007-010	915080
JOHN DEERE	755A		SEALED	FP100-MPG	1.753	9.130	7.984	50-007-010	25548	A3540	50-007-002	915099
JOHN DEERE	755B		SEALED	FP100-MPG	1.440	8.110	6.909	50-007-005	25500-001	A3540	50-007-004	915042
JOHN DEERE	755C		SALT	FP100-MPG	1.753	9.060	7.984	50-007-010	25548	A3540	50-007-002	915106
JOHN DEERE	755C		SEALED	FP100-MPG	1.750	9.060	8.000	50-007-010	25548	A3540	50-007-002	915013
JOHN DEERE	790D		SEALED	FP100-MPG	1.496	8.583	7.480	50-007-005	25500-001	A3540	50-007-010	915023
JOHN DEERE	790E		SEALED	FP100-MPG	1.493	8.366	7.480	50-007-005	25500-001	A3540	50-007-010	915042
JOHN DEERE	790ELC		SEALED	FP100-MPG	1.493	8.366	7.480	50-007-005	25500-001	A3540	50-007-010	915042
JOHN DEERE	792D		SEALED	FP100-MPG	1.750	9.646	8.000	50-007-010	25548	A3540	50-007-002	915121
JOHN DEERE	80C		SEALED	FP100-SPG	0.950	5.157	6.062	50-007-009	200281	A3539	50-007-007	915074
JOHN DEERE	850B		SALT	FP100-MPG	1.753	9.060	7.984	50-007-010	25548	A3540	50-007-002	915106
JOHN DEERE	850B		SEALED	FP100-MPG	1.753	9.130	7.984	50-007-010	25548	A3540	50-007-002	915099
JOHN DEERE	850C		SALT	FP100-MPG	1.753	9.060	7.984	50-007-010	25548	A3540	50-007-002	915106
JOHN DEERE	850C		SEALED	FP100-MPG	1.750	9.060	8.000	50-007-010	25548	A3540	50-007-002	915013
JOHN DEERE	850J		SALT	FP100-MPG	1.750	10.315	8.000	50-007-010	25548	A3540	50-007-002	915175
JOHN DEERE	850K		SALT	FP100-MPG	1.750	10.315	8.000	50-007-010	25548	A3540	50-007-002	
JOHN DEERE	890A		SEALED	FP100-LPG	1.878	9.902	8.500	50-007-003	25551	A3541	50-007-002	915083
JOHN DEERE	892D		SEALED	FP100-MPG	1.750	9.646	8.000	50-007-010	25548	A3540	50-007-002	915121
JOHN DEERE	892E		SEALED	FP100-MPG	1.750	9.646	8.000	50-007-010	25548	A3540	50-007-002	915121
JOHN DEERE	950J		SALT	FP100-LPG	1.870	10.860	8.500	50-007-003	25551L	A3541	50-007-002	915189
JOHN DEERE	992D		SEALED	FP100-LPG	1.873	10.000	8.500	50-007-003	25551	A3541	50-007-002	915087
JOHN DEERE	992E		SEALED	FP100-LPG	1.873	10.000	8.500	50-007-003	25551	A3541	50-007-002	915087
JOHN DEERE	EX120		SEALED	FP100-MPG	1.319	7.008	6.750	50-007-006	25499	A3540	50-007-005	915002
JOHN DEERE	EX120-2		SEALED	FP100-MPG	1.330	6.700	6.730	50-007-006	25499	A3540	50-007-005	915166
JOHN DEERE	EX150		SEALED	FP100-MPG	1.378	7.598	6.750	50-007-006	25499	A3540	50-007-004	915002
JOHN DEERE	JD700		SEALED	FP100-MPG	1.440	8.110	6.909	50-007-005	25500-001	A3540	50-007-004	915042
JOHN DEERE	JD700HLGP		SEALED	FP100-MPG	1.440	8.110	6.909	50-007-005	25500-001	A3540	50-007-004	915042
JOHN DEERE	JD700HLGP		SALT	FP100-MPG	1.440	8.110	6.991	50-007-005	25500-001	A3540	50-007-004	915042
KOBELCO	K909A		UNSEALED	FP100-MPG	1.496	8.580	7.480	50-007-005	25500-001	A3540	50-007-010	915023
KOMATSU	D120-15		SEALED	FP100-LPG	1.988	11.300	9.000	50-007-003	25551L	A3541	50-007-001	915055
KOMATSU	D120-18		SEALED	FP100-LPG	1.988	11.300	9.000	50-007-003	25551L	A3541	50-007-001	915055
KOMATSU	D120-8		SEALED	FP100-LPG	1.988	11.300	9.000	50-007-003	25551L	A3541	50-007-001	915055
KOMATSU	D125-18		RECESSED	FP100-LPG	1.988	11.300	9.000	50-007-003	25551L	A3541	50-007-001	915206
KOMATSU	D135A-1			FP100-LPG	1.909	11.575	9.000	50-007-003	25551L	A3541	50-007-002	
KOMATSU	D150-1	S/N 6842 & DN	SEALED	FP100-LPG	1.988	11.300	9.000	50-007-003	25551L	A3541	50-007-001	915055
KOMATSU	D150-1	S/N 6843 & UP	SEALED	FP100-LPG	1.929	11.540	9.000	50-007-003	25551L	A3541	50-007-002	915086
KOMATSU	D150-1		SALT	FP100-LPG	1.909	11.570	9.000	50-007-003	25551L	A3541	50-007-002	915055
KOMATSU	D150-1	S/N 6842 & DN	UNSEALED	FP100-LPG	1.988	11.299	9.000	50-007-003	25551L	A3541	50-007-001	915055
KOMATSU	D150-1	S/N 6843 & UP	UNSEALED	FP100-LPG	1.929	11.535	9.000	50-007-003	25551L	A3541	50-007-002	915086
KOMATSU	D155		SEALED	FP100-LPG	1.988	11.300	9.000	50-007-003	25551L	A3541	50-007-001	915055
KOMATSU	D155		SALT	FP100-LPG	1.909	11.570	9.000	50-007-003	25551L	A3541	50-007-002	915055
KOMATSU	D155-1	S/N 6842 & DN	SEALED	FP100-LPG	1.988	11.300	9.000	50-007-003	25551L	A3541	50-007-001	915055
KOMATSU	D155-1	S/N 6843 & UP	SEALED	FP100-LPG	1.929	11.540	9.000	50-007-003	25551L	A3541	50-007-002	915086
KOMATSU	D155-1		SALT	FP100-LPG	1.909	11.570	9.000	50-007-003	25551L	A3541	50-007-002	915055
KOMATSU	D155-1	S/N 6843 & UP	UNSEALED	FP100-LPG	1.929	11.535	9.000	50-007-003	25551L	A3541	50-007-002	915086
KOMATSU	D155-1	S/N 6842 & DN	UNSEALED	FP100-LPG	1.988	11.299	9.000	50-007-003	25551L	A3541	50-007-001	915055
KOMATSU	D155-1	S/N 10263-19064	SEALED	FP100-LPG	1.907	11.575	9.000	50-007-003	25551L	A3541	50-007-002	915087
KOMATSU	D155-1	S/N 19065 & UP	SALT	FP100-LPG	1.909	11.574	9.000	50-007-003	25551L	A3541	50-007-002	915087
KOMATSU	D155A		SALT	FP100-LPG	1.909	11.570	9.000	50-007-003	25551L	A3541	50-007-002	915055
KOMATSU	D155A-1	S/N 2540-10262	SEALED	FP100-LPG	1.909	11.300	9.000	50-007-003	25551L	A3541	50-007-002	915055
KOMATSU	D155A-2		SALT	FP100-LPG	1.909	11.574	9.000	50-007-003	25551L	A3541	50-007-002	915087
KOMATSU	D155A-2		SEALED	FP100-LPG	1.909	11.480	9.000	50-007-003	25551L	A3541	50-007-002	915087
KOMATSU	D155A-5		SEALED	FP100-LPG	1.909	11.480	9.000	50-007-003	25551L	A3541	50-007-002	915167
KOMATSU	D155AX-3		SEALED	FP100-LPG	1.909	11.480	9.000	50-007-003	25551L	A3541	50-007-002	915167
KOMATSU	D155AX-5		SEALED	FP100-LPG	1.909	11.480	9.000	50-007-003	25551L	A3541	50-007-002	915167
KOMATSU	D20		SEALED	FP100-SPG	0.945	5.630	5.310	50-007-009	200281	A3539	50-007-007	915124
KOMATSU	D20		SALT	FP100-SPG	0.945	5.550	5.310	50-007-009	200281	A3539	50-007-007	915123
KOMATSU	D21		SEALED	FP100-SPG	0.945	5.630	5.310	50-007-009	200281	A3539	50-007-007	915124
KOMATSU	D21		SALT	FP100-SPG	0.945	5.550	5.310	50-007-009	200281	A3539	50-007-007	915123
KOMATSU	D30-15		SEALED	FP100-SPG	1.102	6.594	6.063	50-007-009	200281	A3539	50-007-006	915057
KOMATSU	D30A		SEALED	FP100-SPG	1.102	6.594	6.063	50-007-009	200281	A3539	50-007-006	915057
KOMATSU	D30S-1		SEALED	FP100-SPG	1.094	6.590	6.060	50-007-009	200281	A3539	50-007-006	915058
KOMATSU	D30S-15	S/N 5016 & UP	SEALED	FP100-SPG	1.102	6.594	6.063	50-007-009	200281	A3539	50-007-006	915057
KOMATSU	D31		UNSEALED	FP100-SPG	1.180	6.690	6.060	50-007-009	200281	A3539	50-007-006	915069
KOMATSU	D31-15		SEALED	FP100-SPG	1.102	6.594	6.063	50-007-009	200281	A3539	50-007-006	915057
KOMATSU	D31-16		SEALED	FP100-SPG	1.102	6.693	6.063	50-007-009	200281	A3539	50-007-006	915058
KOMATSU	D31E		SALT	FP100-SPG	1.102	6.693	6.063	50-007-009	200281	A3539	50-007-006	915058
KOMATSU	D31E-12		SEALED	FP100-SPG	1.102	6.594	6.063	50-007-009	200281	A3539	50-007-006	915057
KOMATSU	D31P		UNSEALED	FP100-SPG	1.180	6.690	6.060	50-007-009	200281	A3539	50-007-006	915069
KOMATSU	D31P		SALT	FP100-SPG	1.102	6.693	6.063	50-007-009	200281	A3539	50-007-006	915058
KOMATSU	D31P-20		SALT	FP100-SPG	1.102	6.693	6.063	50-007-009	200281	A3539	50-007-006	915058



WTC Machinery  
FP100 Tooling Chart

6/9/2022

Make	Model	Comments	Type	Basic Pin Group	Pin Dimensions			Disassembly Tooling			Assembly Tooling	
					Dia.	Length	Pitch	Pin Adapter	Forcing Pin	Backing Bushing	Pin Adaptor	PAT
KOMATSU	D31PL		SALT	FP100-SPG	1.102	6.693	6.063	50-007-009	200281	A3539	50-007-006	915058
KOMATSU	D31PLL	S/N 29001 & UP	SALT	FP100-SPG	1.102	6.693	6.063	50-007-009	200281	A3539	50-007-006	915058
KOMATSU	D31PX		SALT	FP100-SPG	1.102	6.693	6.063	50-007-009	200281	A3539	50-007-006	915058
KOMATSU	D31S		SALT	FP100-SPG	1.102	6.693	6.063	50-007-009	200281	A3539	50-007-006	915058
KOMATSU	D37		SALT	FP100-SPG	1.102	6.693	6.063	50-007-009	200281	A3539	50-007-006	915058
KOMATSU	D37P		SALT	FP100-SPG	1.102	6.693	6.063	50-007-009	200281	A3539	50-007-006	915058
KOMATSU	D39E		SALT	FP100-SPG	1.307	7.244	6.750	50-007-007	25498	A3539	50-007-005	915052
KOMATSU	D39EX		SALT	FP100-SPG	1.307	7.244	6.750	50-007-007	25498	A3539	50-007-005	915052
KOMATSU	D39P		SALT	FP100-SPG	1.307	7.244	6.750	50-007-007	25498	A3539	50-007-005	915052
KOMATSU	D39PX		SALT	FP100-SPG	1.307	7.244	6.750	50-007-007	25498	A3539	50-007-005	915052
KOMATSU	D40		RECESSED	FP100-MPG	1.488	8.583	6.890	50-007-005	25500-001	A3540	50-007-010	915059
KOMATSU	D40		SALT	FP100-MPG	1.377	7.130	6.890	50-007-006	25499	A3540	50-007-004	915060
KOMATSU	D40		SEALED	FP100-MPG	1.382	7.170	6.890	50-007-006	25499	A3540	50-007-004	915060
KOMATSU	D40P-1	BERCO	SEALED	FP100-MPG	1.496	8.661	6.906	50-007-005	25500-001	A3540	50-007-010	915059
KOMATSU	D41	NEW	SALT	FP100-MPG	1.382	7.170	6.890	50-007-006	25499	A3540	50-007-004	915122
KOMATSU	D41		UNSEALED	FP100-MPG	1.499	8.660	6.890	50-007-005	25500-001	A3540	50-007-010	915122
KOMATSU	D41		SEALED	FP100-MPG	1.382	7.170	6.890	50-007-006	25499	A3540	50-007-004	915060
KOMATSU	D41-6		SALT	FP100-MPG	1.307	7.244	6.750	50-007-007	25498	A3539	50-007-005	915052
KOMATSU	D41A	BERCO	SEALED	FP100-MPG	1.496	8.661	6.906	50-007-005	25500-001	A3540	50-007-010	915059
KOMATSU	D41E	S/N 50201 & UP	SALT	FP100-SPG	1.307	7.224	6.750	50-007-007	25498	A3539	50-007-005	915067
KOMATSU	D41E		SALT	FP100-SPG	1.307	7.244	6.750	50-007-007	25498	A3539	50-007-005	915052
KOMATSU	D41P		SALT	FP100-SPG	1.307	7.244	6.750	50-007-007	25498	A3539	50-007-005	915052
KOMATSU	D41P	BERCO	SEALED	FP100-MPG	1.496	8.661	6.906	50-007-005	25500-001	A3540	50-007-010	915059
KOMATSU	D41P-6	S/N 50201 & UP	SALT	FP100-SPG	1.307	7.224	6.750	50-007-007	25498	A3539	50-007-005	915067
KOMATSU	D41PX-12		SALT	FP100-MPG	1.432	7.845	6.875	50-007-006	25499	A3540	50-007-004	915163
KOMATSU	D41Q-3	BERCO	SEALED	FP100-MPG	1.496	8.661	6.906	50-007-005	25500-001	A3540	50-007-010	915059
KOMATSU	D41S	BERCO	SEALED	FP100-MPG	1.496	8.661	6.906	50-007-005	25500-001	A3540	50-007-010	915059
KOMATSU	D45		RECESSED	FP100-MPG	1.488	8.583	6.890	50-007-005	25500-001	A3540	50-007-010	915059
KOMATSU	D45A		SEALED	FP100-MPG	1.382	7.170	6.890	50-007-006	25499	A3540	50-007-004	915059
KOMATSU	D45A	S/N 12178 & UP BERCO	SEALED	FP100-MPG	1.496	8.661	6.906	50-007-005	25500-001	A3540	50-007-010	915059
KOMATSU	D45B	S/N 12178 & UP BERCO	SEALED	FP100-MPG	1.496	8.661	6.906	50-007-005	25500-001	A3540	50-007-010	915059
KOMATSU	D45P-1	S/N 1501 & UP	SEALED	FP100-MPG	1.382	7.170	6.890	50-007-006	25499	A3540	50-007-004	915059
KOMATSU	D50		RECESSED	FP100-MPG	1.488	8.583	6.890	50-007-005	25500-001	A3540	50-007-010	915059
KOMATSU	D50		SALT	FP100-MPG	1.377	7.130	6.890	50-007-006	25499	A3540	50-007-004	915060
KOMATSU	D50		SEALED	FP100-MPG	1.382	7.170	6.890	50-007-006	25499	A3540	50-007-004	915060
KOMATSU	D50-11		RECESSED	FP100-MPG	1.488	8.583	6.890	50-007-005	25500-001	A3540	50-007-010	915059
KOMATSU	D50-15		RECESSED	FP100-MPG	1.488	8.583	6.890	50-007-005	25500-001	A3540	50-007-010	915059
KOMATSU	D50-15		SEALED	FP100-MPG	1.382	7.170	6.890	50-007-006	25499	A3540	50-007-004	915059
KOMATSU	D50A	BERCO	SEALED	FP100-MPG	1.496	8.661	6.906	50-007-005	25500-001	A3540	50-007-010	915059
KOMATSU	D50B	S/N 10901 & UP BERCO	SEALED	FP100-MPG	1.496	8.661	6.906	50-007-005	25500-001	A3540	50-007-010	915059
KOMATSU	D50P	S/N 10901 & UP BERCO	SEALED	FP100-MPG	1.496	8.661	6.906	50-007-005	25500-001	A3540	50-007-010	915059
KOMATSU	D50S	S/N 10901 & UP BERCO	SEALED	FP100-MPG	1.496	8.661	6.906	50-007-005	25500-001	A3540	50-007-010	915059
KOMATSU	D50S-11		RECESSED	FP100-MPG	1.488	8.583	6.890	50-007-005	25500-001	A3540	50-007-010	915059
KOMATSU	D53	NEW	SALT	FP100-MPG	1.382	7.170	6.890	50-007-006	25499	A3540	50-007-004	915122
KOMATSU	D53		UNSEALED	FP100-MPG	1.499	8.660	6.890	50-007-005	25500-001	A3540	50-007-010	915122
KOMATSU	D53		SALT	FP100-MPG	1.377	7.130	6.890	50-007-006	25499	A3540	50-007-004	915060
KOMATSU	D53-15		SEALED	FP100-MPG	1.382	7.170	6.890	50-007-006	25499	A3540	50-007-004	915059
KOMATSU	D53-16		SEALED	FP100-MPG	1.382	7.170	6.890	50-007-006	25499	A3540	50-007-004	915060
KOMATSU	D53A	BERCO	SEALED	FP100-MPG	1.496	8.661	6.906	50-007-005	25500-001	A3540	50-007-010	915059
KOMATSU	D53A-15	S/N 60001 & UP	SEALED	FP100-MPG	1.382	7.170	6.890	50-007-006	25499	A3540	50-007-004	915059
KOMATSU	D55		SEALED	FP100-MPG	1.496	8.661	7.480	50-007-005	25500-001	A3540	50-007-010	915060
KOMATSU	D55-S		RECESSED	FP100-MPG	1.488	8.583	7.480	50-007-005	25500-001	A3540	50-007-010	915056
KOMATSU	D57-1		SEALED	FP100-MPG	1.496	8.661	7.480	50-007-005	25500-001	A3540	50-007-010	915060
KOMATSU	D57S-1		SEALED	FP100-MPG	1.496	8.661	7.480	50-007-005	25500-001	A3540	50-007-010	915060
KOMATSU	D58		SALT	FP100-MPG	1.377	7.130	6.890	50-007-006	25499	A3540	50-007-004	915060
KOMATSU	D58		SEALED	FP100-MPG	1.382	7.170	6.890	50-007-006	25499	A3540	50-007-004	915060
KOMATSU	D58E	BERCO	SEALED	FP100-MPG	1.496	8.661	6.906	50-007-005	25500-001	A3540	50-007-010	915059
KOMATSU	D58P-1	BERCO	SEALED	FP100-MPG	1.496	8.661	6.906	50-007-005	25500-001	A3540	50-007-010	915059
KOMATSU	D6	S/N 50001-50200	SALT	FP100-SPG	1.307	7.244	6.750	50-007-007	25498	A3539	50-007-005	915052
KOMATSU	D60		SEALED	FP100-MPG	1.760	9.433	8.000	50-007-010	25548	A3540	50-007-002	915084
KOMATSU	D60		SALT	FP100-MPG	1.750	9.433	8.000	50-007-010	25548	A3540	50-007-002	915084
KOMATSU	D60-6		SEALED	FP100-MPG	1.752	9.260	8.000	50-007-010	25548	A3540	50-007-002	915062
KOMATSU	D60A	BERCO NON-OEM	SEALED	FP100-MPG	1.756	9.449	7.984	50-007-010	25548	A3540	50-007-002	915116
KOMATSU	D60-A		RECESSED	FP100-MPG	1.488	8.583	7.480	50-007-005	25500-001	A3540	50-007-010	915056
KOMATSU	D61		SALT	FP100-MPG	1.496	8.897	7.480	50-007-005	25500L	A3540	50-007-010	915060
KOMATSU	D61E		SALT	FP100-MPG	1.496	8.897	7.480	50-007-005	25500L	A3540	50-007-010	915060
KOMATSU	D61EX		SALT	FP100-MPG	1.496	8.897	7.480	50-007-005	25500L	A3540	50-007-010	915060
KOMATSU	D61P		SALT	FP100-MPG	1.496	8.897	7.480	50-007-005	25500L	A3540	50-007-010	915060
KOMATSU	D61PX		SALT	FP100-MPG	1.496	8.897	7.480	50-007-005	25500L	A3540	50-007-010	915060
KOMATSU	D61PX-12		SALT	FP100-MPG	1.496	8.897	7.480	50-007-005	25500L	A3540	50-007-010	915060
KOMATSU	D63E		SALT	FP100-MPG	1.377	7.130	6.890	50-007-006	25499	A3540	50-007-004	915060
KOMATSU	D63E		SEALED	FP100-MPG	1.382	7.170	6.890	50-007-006	25499	A3540	50-007-004	915060
KOMATSU	D65		SEALED	FP100-MPG	1.760	9.433	8.000	50-007-010	25548	A3540	50-007-002	915084
KOMATSU	D65		SALT	FP100-MPG	1.750	9.433	8.000	50-007-010	25548	A3540	50-007-002	915084
KOMATSU	D65-6	S/N 34001 & UP	SALT	FP100-MPG	1.756	9.528	8.000	50-007-010	25548	A3540	50-007-002	915097
KOMATSU	D65A	BERCO NON-OEM	SEALED	FP100-MPG	1.756	9.449	7.984	50-007-010	25548	A3540	50-007-002	915116



**WTC Machinery  
FP100 Tooling Chart**

6/9/2022

Make	Model	Comments	Type	Basic Pin Group	Pin Dimensions			Disassembly Tooling			Assembly Tooling	
					Dia.	Length	Pitch	Pin Adapter	Forcing Pin	Backing Bushing	Pin Adaptor	PAT
KOMATSU	D65A		SEALED	FP100-MPG	1.760	9.433	8.000	50-007-010	25548	A3540	50-007-002	915084
KOMATSU	D65E		SEALED	FP100-MPG	1.760	9.433	8.000	50-007-010	25548	A3540	50-007-002	915084
KOMATSU	D65EX-12		SALT	FP100-MPG	1.750	9.433	8.000	50-007-010	25548	A3540	50-007-002	915084
KOMATSU	D65EX-15		SALT	FP100-MPG	1.750	9.433	8.000	50-007-010	25548	A3540	50-007-002	915084
KOMATSU	D65P-6	S/N 20006 & UP	SEALED	FP100-MPG	1.760	9.433	8.000	50-007-010	25548	A3540	50-007-002	915084
KOMATSU	D65PX		SALT	FP100-MPG	1.750	9.433	8.000	50-007-010	25548	A3540	50-007-002	915084
KOMATSU	D65PX-12		SALT	FP100-MPG	1.750	9.433	8.000	50-007-010	25548	A3540	50-007-002	915084
KOMATSU	D65PX-15		SALT	FP100-MPG	1.750	9.433	8.000	50-007-010	25548	A3540	50-007-002	915084
KOMATSU	D66		SEALED	FP100-MPG	1.760	9.433	8.000	50-007-010	25548	A3540	50-007-002	915084
KOMATSU	D66		SALT	FP100-MPG	1.756	9.528	8.000	50-007-010	25548	A3540	50-007-002	915097
KOMATSU	D68		SEALED	FP100-MPG	1.760	9.433	8.000	50-007-010	25548	A3540	50-007-002	915084
KOMATSU	D68		SALT	FP100-MPG	1.756	9.528	8.000	50-007-010	25548	A3540	50-007-002	915097
KOMATSU	D75		SEALED	FP100-LPG	1.843	10.000	8.504	50-007-003	25551	A3541	50-007-002	915096
KOMATSU	D75		SALT	FP100-LPG	1.850	10.000	8.504	50-007-003	25551	A3541	50-007-002	915096
KOMATSU	D75-S		SEALED	FP100-LPG	1.850	9.842	8.504	50-007-003	25551	A3541	50-007-002	915015
KOMATSU	D80		SEALED	FP100-LPG	1.843	10.000	8.504	50-007-003	25551	A3541	50-007-002	915096
KOMATSU	D80		SALT	FP100-LPG	1.850	10.000	8.504	50-007-003	25551	A3541	50-007-002	915096
KOMATSU	D80-7		SEALED	FP100-MPG	1.752	9.842	8.000	50-007-010	25548	A3540	50-007-002	915013
KOMATSU	D80-8		SEALED	FP100-MPG	1.752	9.842	8.000	50-007-010	25548	A3540	50-007-002	915013
KOMATSU	D85		SEALED	FP100-MPG	1.771	9.842	8.504	50-007-010	25548	A3540	50-007-002	915085
KOMATSU	D85		SALT	FP100-LPG	1.850	10.000	8.504	50-007-003	25551	A3541	50-007-002	915096
KOMATSU	D85-18	S/N 26514 & UP	SALT	FP100-LPG	1.850	10.000	8.504	50-007-003	25551	A3541	50-007-002	915096
KOMATSU	D85-18	S/N 26513 & DN	SEALED	FP100-LPG	1.850	10.000	8.500	50-007-003	25551	A3541	50-007-002	915232
KOMATSU	D85A		SEALED	FP100-MPG	1.771	9.842	8.504	50-007-010	25548	A3540	50-007-002	915085
KOMATSU	D85A		SEALED	FP100-LPG	1.843	10.000	8.504	50-007-003	25551	A3541	50-007-002	915096
KOMATSU	D85A-12		SEALED	FP100-LPG	1.850	9.842	8.504	50-007-003	25551	A3541	50-007-002	915015
KOMATSU	D85E		SEALED	FP100-LPG	1.843	10.000	8.504	50-007-003	25551	A3541	50-007-002	915096
KOMATSU	D85E-12	S/N 10001 & UP	SEALED	FP100-MPG	1.771	9.842	8.504	50-007-010	25548	A3540	50-007-002	915085
KOMATSU	D85E-12		SEALED	FP100-MPG	1.771	9.842	8.504	50-007-010	25548	A3540	50-007-002	915085
KOMATSU	D85EX-15		SALT	FP100-LPG	1.850	10.000	8.504	50-007-003	25551	A3541	50-007-002	915096
KOMATSU	D85P-18		SEALED	FP100-LPG	1.843	10.000	8.504	50-007-003	25551	A3541	50-007-002	915096
KOMATSU	D85PX		SALT	FP100-LPG	1.850	10.000	8.504	50-007-003	25551	A3541	50-007-002	915096
KOMATSU	D85PX-15		SALT	FP100-LPG	1.850	10.000	8.504	50-007-003	25551	A3541	50-007-002	915096
KOMATSU	D95		SALT	FP100-LPG	1.850	10.000	8.504	50-007-003	25551	A3541	50-007-002	915096
KOMATSU	D95		SEALED	FP100-LPG	1.843	10.000	8.504	50-007-003	25551	A3541	50-007-002	915096
KOMATSU	D95-S		SEALED	FP100-MPG	1.772	10.000	8.500	50-007-010	25548	A3540	50-007-002	915232
KOMATSU	PC100		UNSEALED	FP100-SPG	1.180	6.690	6.060	50-007-009	200281	A3539	50-007-006	915069
KOMATSU	PC100	PITCH ALSO 6.89	SEALED	FP100-SPG	1.181	6.811	6.063	50-007-009	200281	A3539	50-007-006	915126
KOMATSU	PC100		SEALED	FP100-SPG	1.180	6.810	6.890	50-007-009	200281	A3539	50-007-006	915161
KOMATSU	PC100-1		SEALED	FP100-SPG	1.181	6.535	6.062	50-007-009	200281	A3539	50-007-006	915110
KOMATSU	PC100-2		SEALED	FP100-SPG	1.181	6.535	6.062	50-007-009	200281	A3539	50-007-006	915110
KOMATSU	PC100-3		SEALED	FP100-SPG	1.181	6.535	6.062	50-007-009	200281	A3539	50-007-006	915110
KOMATSU	PC100-6		SEALED	FP100-SPG	1.180	6.810	6.890	50-007-009	200281	A3539	50-007-006	915161
KOMATSU	PC100L-6		SEALED	FP100-MPG	1.490	8.660	7.490	50-007-005	25500-001	A3540	50-007-010	915060
KOMATSU	PC120		SEALED	FP100-SPG	1.180	6.810	6.890	50-007-009	200281	A3539	50-007-006	915161
KOMATSU	PC120	PITCH ALSO 6.89	SEALED	FP100-SPG	1.181	6.811	6.063	50-007-009	200281	A3539	50-007-006	915126
KOMATSU	PC120-1		SEALED	FP100-SPG	1.181	6.535	6.062	50-007-009	200281	A3539	50-007-006	915110
KOMATSU	PC120-2		SEALED	FP100-SPG	1.181	6.535	6.062	50-007-009	200281	A3539	50-007-006	915110
KOMATSU	PC120-3		SEALED	FP100-SPG	1.181	6.535	6.062	50-007-009	200281	A3539	50-007-006	915110
KOMATSU	PC120-6			FP100-SPG	1.181	6.811	6.900	50-007-009	200281	A3539	50-007-006	915231
KOMATSU	PC120-6			FP100-SPG	1.181	6.811	6.890	50-007-009	200281	A3539	50-007-006	915126
KOMATSU	PC120LC-6		SEALED	FP100-SPG	1.180	6.810	6.890	50-007-009	200281	A3539	50-007-006	915161
KOMATSU	PC130-6		SEALED	FP100-SPG	1.180	6.810	6.890	50-007-009	200281	A3539	50-007-006	915161
KOMATSU	PC138		SEALED	FP100-SPG	1.180	6.810	6.890	50-007-009	200281	A3539	50-007-006	915161
KOMATSU	PC150		UNSEALED	FP100-MPG	1.499	8.660	6.890	50-007-005	25500-001	A3540	50-007-010	915122
KOMATSU	PC160LC-8			FP100-MPG	1.496	8.346	7.490	50-007-005	25500-001	A3540	50-007-010	915108
KOMATSU	PC200		SEALED	FP100-MPG	1.496	8.661	7.480	50-007-005	25500-001	A3540	50-007-010	915060
KOMATSU	PC200-6		SEALED	FP100-MPG	1.496	8.661	7.480	50-007-005	25500-001	A3540	50-007-010	915060
KOMATSU	PC200-7		SEALED	FP100-MPG	1.496	8.661	7.480	50-007-005	25500-001	A3540	50-007-010	915060
KOMATSU	PC200-8		SEALED	FP100-MPG	1.496	8.661	7.480	50-007-005	25500-001	A3540	50-007-010	915060
KOMATSU	PC220		SEALED	FP100-MPG	1.496	8.661	7.480	50-007-005	25500-001	A3540	50-007-010	915060
KOMATSU	PC240LC-6		SEALED	FP100-MPG	1.496	8.661	7.480	50-007-005	25500-001	A3540	50-007-010	915060
KOMATSU	PC200LC-8			FP100-MPG	1.496	8.346	7.490	50-007-005	25500-001	A3540	50-007-010	915108
KOMATSU	PC240LC-8			FP100-MPG	1.496	8.346	7.490	50-007-005	25500-001	A3540	50-007-010	915108
KOMATSU	PC240LC-10			FP100-MPG	1.496	8.346	7.490	50-007-005	25500-001	A3540	50-007-010	915108
KOMATSU	PC250LC-6		SEALED	FP100-MPG	1.750	9.520	8.500	50-007-010	25548	A3540	50-007-002	915159
KOMATSU	PC270LC-6		SEALED	FP100-MPG	1.750	9.520	8.500	50-007-010	25548	A3540	50-007-002	915159
KOMATSU	PC270LC-7		SEALED	FP100-MPG	1.750	9.520	8.500	50-007-010	25548	A3540	50-007-002	915159
KOMATSU	PC270LC-8			FP100-MPG	1.756	9.528	8.516	50-007-010	25548	A3540	50-007-002	915097
KOMATSU	PC290LC-10			FP100-MPG	1.756	9.528	8.516	50-007-010	25548	A3540	50-007-002	915097
KOMATSU	PC300	EXC	SALT	FP100-MPG	1.750	9.530	8.000	50-007-010	25548	A3540	50-007-002	915097
KOMATSU	PC300	EXC	SEALED	FP100-MPG	1.760	9.530	8.000	50-007-010	25548	A3540	50-007-002	915076
KOMATSU	PC300HD-6		SEALED	FP100-LPG	1.850	9.920	9.000	50-007-003	25551	A3541	50-007-002	915160
KOMATSU	PC300HD-8			FP100-LPG	1.850	9.921	9.012	50-007-003	25551	A3541	50-007-002	915092
KOMATSU	PC300LC-6		SEALED	FP100-MPG	1.750	9.520	8.500	50-007-010	25548	A3540	50-007-002	915159
KOMATSU	PC300LC-7		SEALED	FP100-MPG	1.750	9.520	8.500	50-007-010	25548	A3540	50-007-002	915159



**WTC Machinery  
FP100 Tooling Chart**

6/9/2022

Make	Model	Comments	Type	Basic Pin Group	Pin Dimensions			Disassembly Tooling			Assembly Tooling	
					Dia.	Length	Pitch	Pin Adapter	Forcing Pin	Backing Bushing	Pin Adaptor	PAT
KOMATSU	PC300LC-8			FP100-MPG	1.756	9.528	8.516	50-007-010	25548	A3540	50-007-002	915097
KOMATSU	PC350HD-8			FP100-LPG	1.850	9.921	9.012	50-007-003	25551	A3541	50-007-002	915092
KOMATSU	PC350LC-8			FP100-MPG	1.756	9.528	8.516	50-007-010	25548	A3540	50-007-002	915097
KOMATSU	PC360LC-10			FP100-MPG	1.771	9.448	8.516	50-007-010	25548	A3540	50-007-002	915097
KOMATSU	PC390LC-10			FP100-LPG	1.850	9.921	9.012	50-007-003	25551	A3541	50-007-002	915092
KOMATSU	PC400 EX		SEALED	FP100-LPG	1.850	10.000	8.504	50-007-003	25551	A3541	50-007-002	915232
KOMATSU	PC400-3		SEALED	FP100-LPG	1.843	10.000	8.504	50-007-003	25551	A3541	50-007-002	915096
KOMATSU	PC400-5		SEALED	FP100-LPG	1.843	10.000	8.504	50-007-003	25551	A3541	50-007-002	915096
KOMATSU	PC400-6		SEALED	FP100-LPG	1.850	10.000	9.000	50-007-003	25551	A3541	50-007-002	915096
KOMATSU	PC400-6		SEALED	FP100-LPG	1.843	10.000	8.504	50-007-003	25551	A3541	50-007-002	915096
KOMATSU	PC400LC-7		SEALED	FP100-LPG	1.850	10.000	9.000	50-007-003	25551	A3541	50-007-002	915096
KOMATSU	PC400LC-7		SEALED	FP100-LPG	1.850	10.000	9.000	50-007-003	25551	A3541	50-007-002	915096
KOMATSU	PC400LC-8			FP100-LPG	1.850	9.921	9.012	50-007-003	25551	A3541	50-007-002	915092
KOMATSU	PC450		SEALED	FP100-LPG	1.850	10.000	9.000	50-007-003	25551	A3541	50-007-002	915096
KOMATSU	PC450LC-8			FP100-LPG	1.850	9.210	9.012	50-007-003	25551	A3541	50-007-002	915092
KOMATSU	PC490LC-10			FP100-LPG	1.921	10.157	9.012	50-007-003	25551	A3541	50-007-002	915092
KOMATSU	PC60	EXC	SEALED	FP100-SPG	0.945	5.550	5.310	50-007-009	200281	A3539	50-007-007	915123
KOMATSU	PC600	EXC	SEALED	FP100-LPG	1.850	10.000	8.504	50-007-003	25551	A3541	50-007-002	915232
KOMATSU	PC600-6			FP100-LPG	1.920	11.410	9.000	50-007-003	25551L	A3541	50-007-002	915177
KOMATSU	PC600-7			FP100-LPG	1.920	11.410	9.000	50-007-003	25551L	A3541	50-007-002	915177
KOMATSU	PC600LC-6			FP100-LPG	1.920	11.410	9.000	50-007-003	25551L	A3541	50-007-002	915177
KOMATSU	PC600LC-7			FP100-LPG	1.920	11.410	9.000	50-007-003	25551L	A3541	50-007-002	915177
KOMATSU	PC80	PITCH ALSO 6.89	SEALED	FP100-SPG	1.181	6.811	6.063	50-007-009	200281	A3539	50-007-006	915126
KOMATSU	PC80-1		SEALED	FP100-SPG	1.181	6.535	6.062	50-007-009	200281	A3539	50-007-006	915110
KOMATSU	PC80-3		SEALED	FP100-SPG	1.181	6.535	6.062	50-007-009	200281	A3539	50-007-006	915110
KUBOTA	KH170L	EXC	UNSEALED	FP100-SPG	0.994	5.510	5.310	50-007-009	200281	A3539	50-007-007	915040
LIEBHERR	PR711		SALT	FP100-MPG	1.315	7.220	6.735	50-007-006	25499	A3540	50-007-005	915052
LIEBHERR	PR721		SALT	FP100-MPG	1.442	8.120	6.735	50-007-005	25500-001	A3540	50-007-004	915052
LIEBHERR	PR731		SALT	FP100-MPG	1.752	9.060	7.985	50-007-010	25548	A3540	50-007-002	915003
LIEBHERR	R912		SEALED	FP100-MPG	1.314	7.000	6.735	50-007-006	25499	A3540	50-007-005	915002
LIEBHERR	R922		SEALED	FP100-MPG	1.314	7.000	6.735	50-007-006	25499	A3540	50-007-005	915002
LIEBHERR	R932		SEALED	FP100-MPG	1.442	8.130	6.735	50-007-005	25500-001	A3540	50-007-004	915009
LINKBELT	LS2800		SEALED	FP100-MPG	1.442	8.130	6.735	50-007-005	25500-001	A3540	50-007-004	915009
LINKBELT	LS4800		SEALED	FP100-LPG	1.878	9.880	8.500	50-007-003	25551	A3541	50-007-002	915012
LINKBELT	LS5400		SEALED	FP100-LPG	1.878	9.880	8.500	50-007-003	25551	A3541	50-007-002	915012
LINKBELT	LS5800		SEALED	FP100-LPG	1.878	9.880	8.500	50-007-003	25551	A3541	50-007-002	915012
LINKBELT	LS6400		SEALED	FP100-LPG	2.003	11.440	9.000	50-007-003	25551L	A3541	50-007-001	915001
LINKBELT	LS7400		SEALED	FP100-LPG	2.003	11.440	9.000	50-007-003	25551L	A3541	50-007-001	915001
LINKBELT	LS7800		SEALED	FP100-MPG	1.442	8.130	6.735	50-007-005	25500-001	A3540	50-007-004	915009
LINKBELT	LS9800		SEALED	FP100-MPG	1.752	9.880	7.985	50-007-010	25548	A3540	50-007-002	915012
MASSEY-FERG	MF200B		SEALED	FP100-SPG	1.063	5.750	5.512	50-007-009	200281	A3539	50-007-007	915004
MASSEY-FERG	MF2244		RECESSED	FP100-SPG	0.984	5.420	5.512	50-007-009	200281	A3539	50-007-007	915057
MASSEY-FERG	MF300		RECESSED	FP100-SPG	1.299	6.610	6.299	50-007-007	25498	A3539	50-007-005	915002
MASSEY-FERG	MF300		SEALED	FP100-SPG	1.299	6.610	6.299	50-007-007	25498	A3539	50-007-005	915078
MASSEY-FERG	MF400C		SEALED	FP100-MPG	1.380	7.010	6.690	50-007-006	25499	A3540	50-007-004	915078
MASSEY-FERG	MF450		RECESSED	FP100-SPG	1.299	6.610	6.299	50-007-007	25498	A3539	50-007-005	915002
MASSEY-FERG	MF500		RECESSED	FP100-MPG	1.378	7.170	6.690	50-007-006	25499	A3540	50-007-004	915080
MASSEY-FERG	MF500B		SEALED	FP100-MPG	1.441	8.110	6.750	50-007-005	25500-001	A3540	50-007-004	915079
MASSEY-FERG	MF600C		SEALED	FP100-MPG	1.752	8.660	7.980	50-007-010	25548	A3540	50-007-002	915081
MASSEY-FERG	MFD400C		SEALED	FP100-MPG	1.380	7.010	6.690	50-007-006	25499	A3540	50-007-004	915078
MASSEY-FERG	MFD700C		SEALED	FP100-LPG	1.880	9.880	8.500	50-007-003	25551	A3541	50-007-002	915062
TEREX	82-20AA		RECESSED	FP100-MPG	1.750	9.190	8.000	50-007-010	25548	A3540	50-007-002	915075
TEREX	82-30		RECESSED	FP100-MPG	1.750	9.190	8.000	50-007-010	25548	A3540	50-007-002	915075
TEREX	82-30AA		RECESSED	FP100-MPG	1.750	11.520	8.000	50-007-010	25548L	A3540	50-007-002	915021
TEREX	82-30B		RECESSED	FP100-LPG	2.000	11.520	9.000	50-007-003	25551L	A3541	50-007-001	915077
TEREX	82-30FA		RECESSED	FP100-MPG	1.750	11.520	8.000	50-007-010	25548L	A3540	50-007-002	915021
TEREX	82-40AA		RECESSED	FP100-MPG	1.750	11.520	8.000	50-007-010	25548L	A3540	50-007-002	915021
TEREX	82-40CA		RECESSED	FP100-MPG	1.750	11.520	8.000	50-007-010	25548L	A3540	50-007-002	915021
TEREX	82-40DA		RECESSED	FP100-LPG	2.000	11.520	9.000	50-007-003	25551L	A3541	50-007-001	915077
TEREX	82-80DA		RECESSED	FP100-LPG	2.000	12.380	9.000	50-007-003	25551XL	A3541	50-007-001	915076
TIGER CAT	L870C			FP100-LPG	1.850	10.039	8.504	50-007-003	25551	A3541	50-007-002	915189
TEREX	TC-12		RECESSED	FP100-LPG	2.000	12.380	9.000	50-007-003	25551XL	A3541	50-007-001	915076
VOLVO	EC150LC			FP100-MPG	1.496	8.188	7.500	50-007-005	25500-001	A3540	50-007-010	915234
VOLVO	EC140BLCM			FP100-MPG	1.457	8.366	7.512	50-007-005	25500-001	A3540	50-007-004	915106
VOLVO	EC210BP			FP100-MPG	1.457	8.693	7.512	50-007-005	25500-001	A3540	50-007-004	915189
VOLVO	EC330BLC			FP100-LPG	1.854	10.016	8.500	50-007-003	25551	A3541	50-007-002	915092
VOLVO	EC460BLC			FP100-LPG	1.878	11.417	8.540	50-007-003	25551L	A3541	50-007-002	915260
VOLVO	DC480DL			FP100-LPG	1.850	10.630	8.540	50-007-003	25551L	A3541	50-007-002	915260
WIRTGEN	2100		RECESSED	FP100-MPG	1.327	7.250		50-007-006	25499	A3540	50-007-005	915272
WIRTGEN	2100		FLUSH	FP100-MPG	1.453	8.280		50-007-005	25500-001	A3540	50-007-004	915272